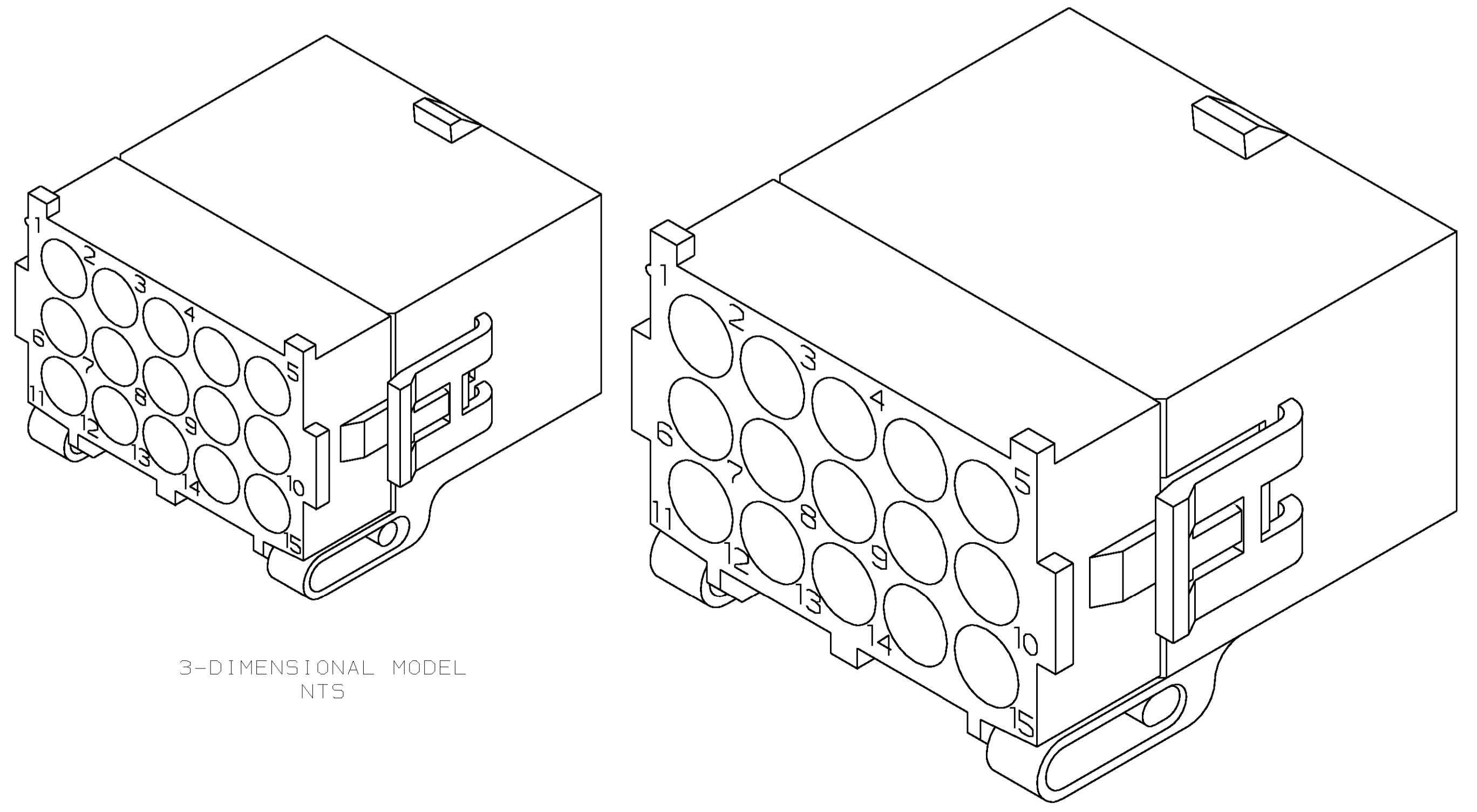
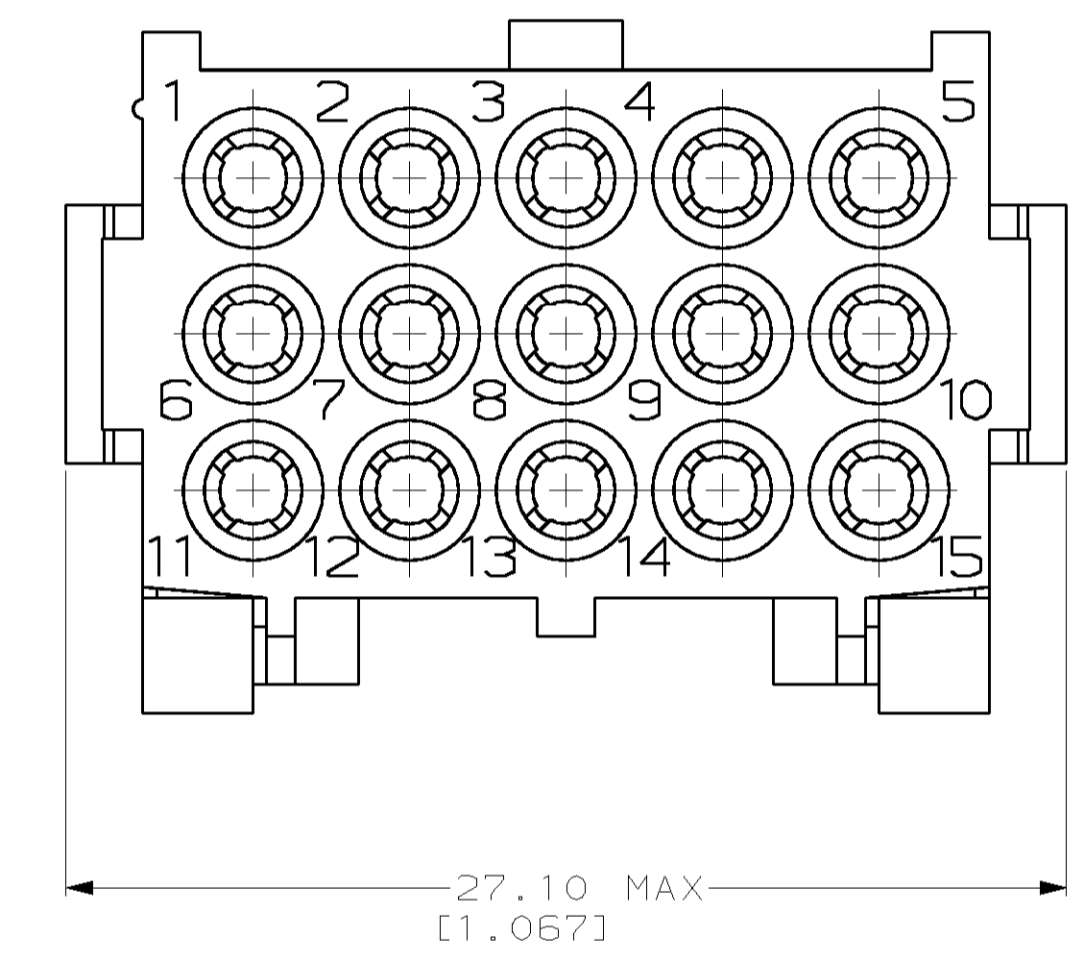
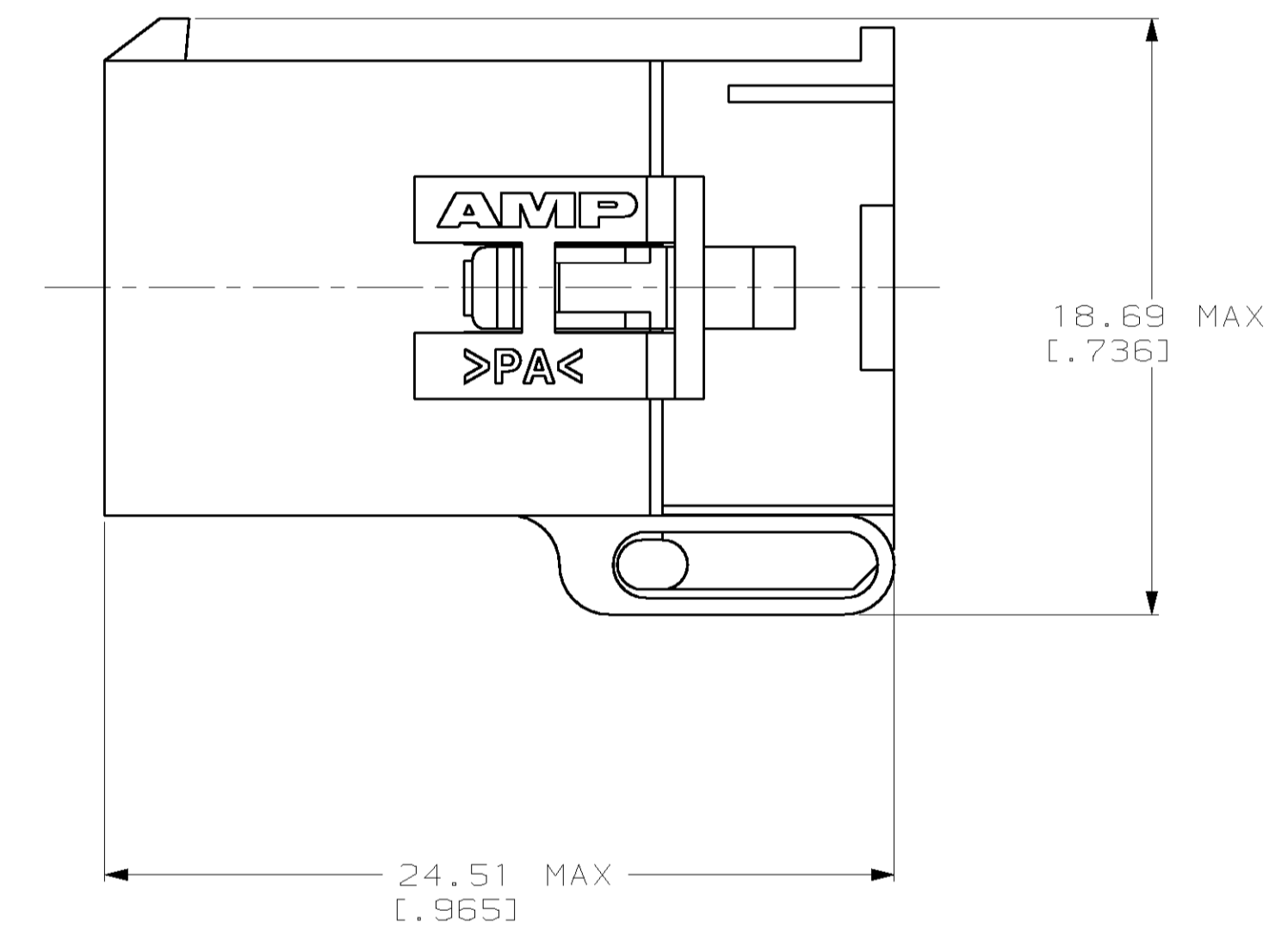
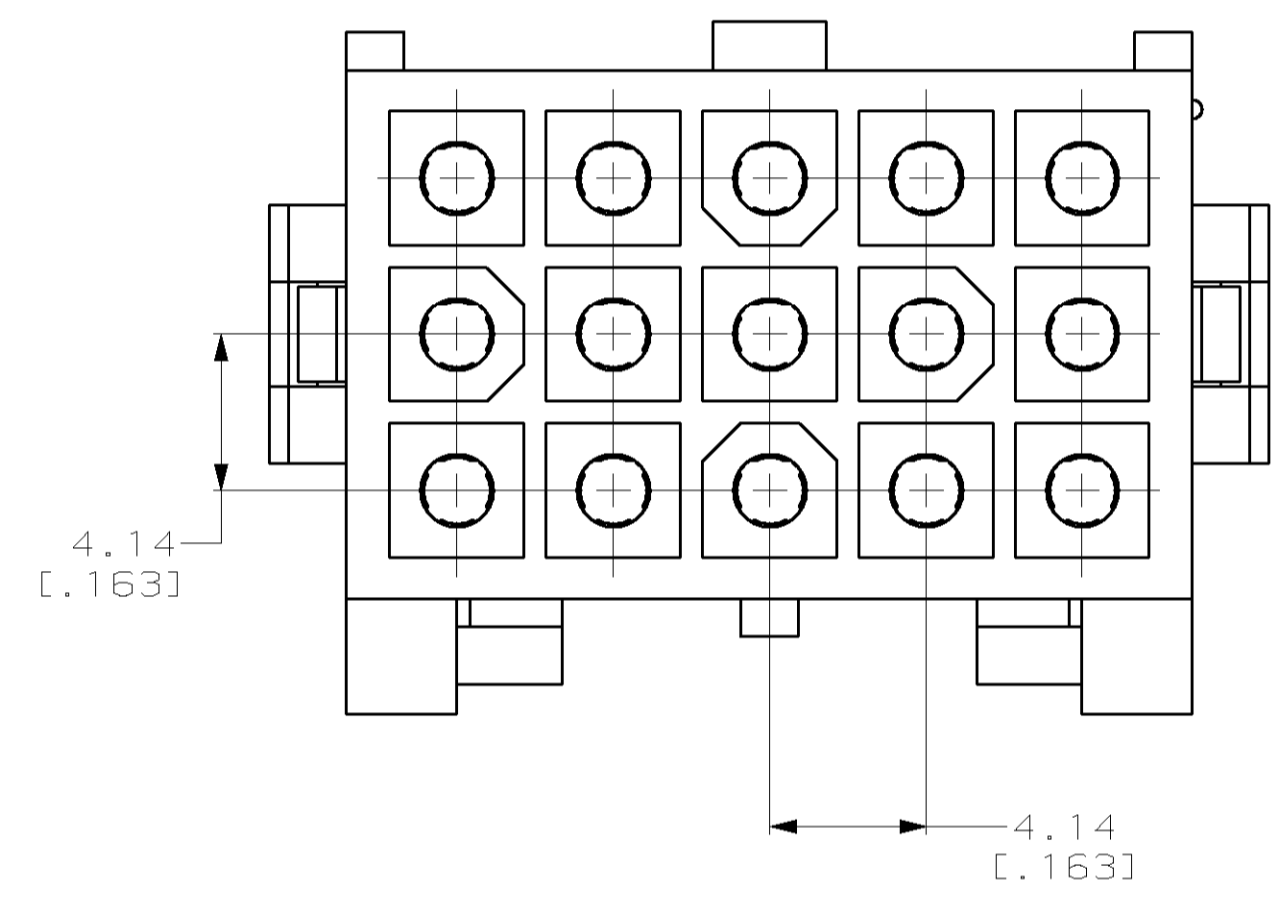


PRE-STAGED CONDITION

1. DIMENSIONS IN BRACKETS ARE IN INCHES.



3-DIMENSIONAL MODEL  
NTS

794205-1  
PART NUMBER

**METRIC**

THIS DRAWING IS A CONTROLLED DOCUMENT.		DWN K. WHITAKER	5-16-97	AMP Incorporated Harrisburg, PA 17105-3608						
DIMENSIONS:		CHK R. SWING	5-16-97							
TOLERANCES UNLESS OTHERWISE SPECIFIED:		APVD R. ORSTAD	5-16-97							
mm		NAME								
0 PLC	±	PRODUCT SPEC		CAP, 15 CIRCUIT, MINI UNIVERSAL MATE-N-LOK™ 2						
1 PLC	±	APPLICATION SPEC								
2 PLC	±0.13 [0.005]	SIZE	A1							
3 PLC	±	CAGE CODE	00779							
4 PLC	±	DRAWING NO	C-794205	RESTRICTED TO						
ANGLES	±	WEIGHT								
MATERIAL	NYLON, UL 94V-0, NATURAL	FINISH		CUSTOMER DRAWING	SCALE	5:1	SHEET	1 OF 1	REV	A