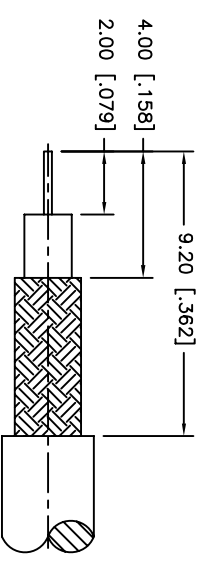
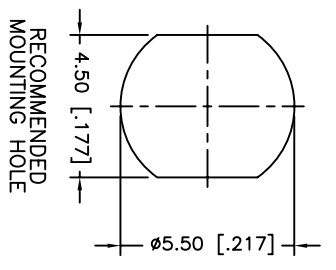
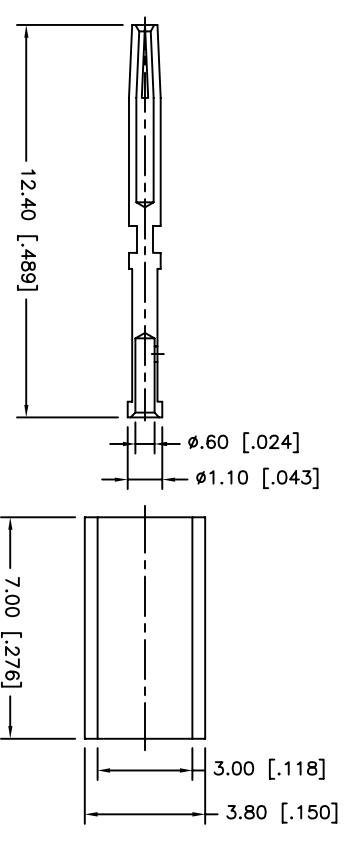
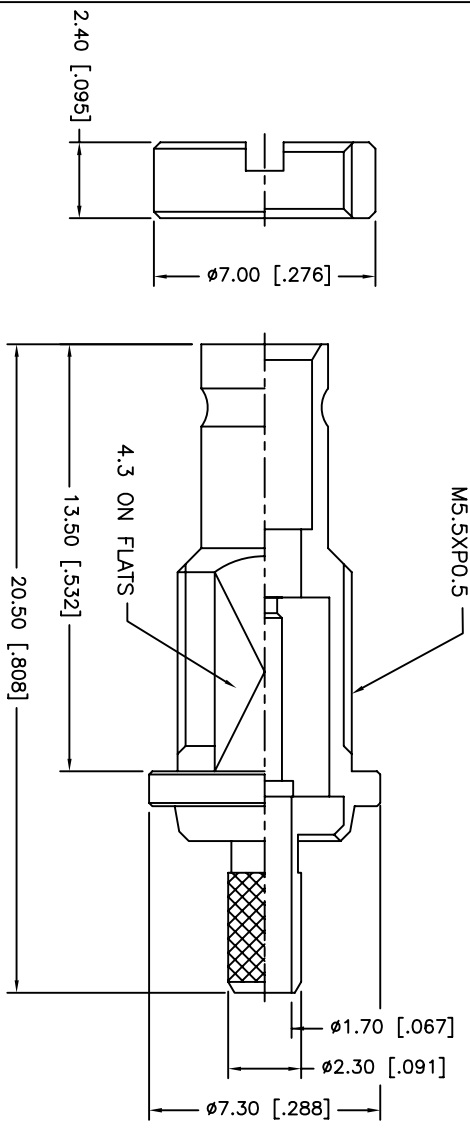


REV.	DATE	ECR NO.	DESCRIPTION
NC	09/04/09	XXXXXX	INITIAL RELEASE



RECOMMENDED
CABLE STRIPPING DIM'S



1. CRIMPED FERRULE
HEX CRIMP SIZE .128"
2. SOLDER CENTER CONTACT

QTY	FINISH	MATERIAL	DESCRIPTION
1	GOLD	BRASS	BODY
1	NATURAL	PTFE	INSULATOR
1	GOLD	BER. COPPER	CONTACT PIN
1	NICKEL	BRASS	BARREL
1	NICKEL	BRASS	HEX NUT
1	NICKEL	COPPER	FERRULE

APPROVALS	DATE
DRAWN CW	09/04/09
CHECKED	
ISSUED	
SHEET 1 OF 1	

DO NOT SCALE DRAWING	UNLESS OTHERWISE SPECIFIED DIMENSIONS ARE IN INCHES AND FOR CUSTOMER REFERENCE ONLY.
	UNLESS OTHERWISE SPECIFIED DIMENSIONS ARE IN MILLIMETERS AND FOR CUSTOMER REFERENCE ONLY.
	TOLERANCES FOR MILLIMETERS ARE:
	0.5 - 8mm ± 0.20mm
	8 - 30mm ± 0.40mm
	30 - 120mm ± 0.50mm
	TOLERANCES FOR INCHES ARE:
	.020 - .315 = ± 0.007"
	.315 - 1.180 = ± 0.015"
	1.180 - 4.724 = ± 0.020"

CAD FILE	DWG. NO.	REV.	NC	SIZE	SCALE
C:/CONNEX/282102-75.DWG	282102-75.DWG	NC		A	NA

PART NO.	DESCRIPTION
282102-75	1.0/2.3 CRIMP JACK (FOR RG-179/U, 187A/U)

Amphenol Connex