

THIS DRAWING IS UNPUBLISHED. RELEASED FOR PUBLICATION

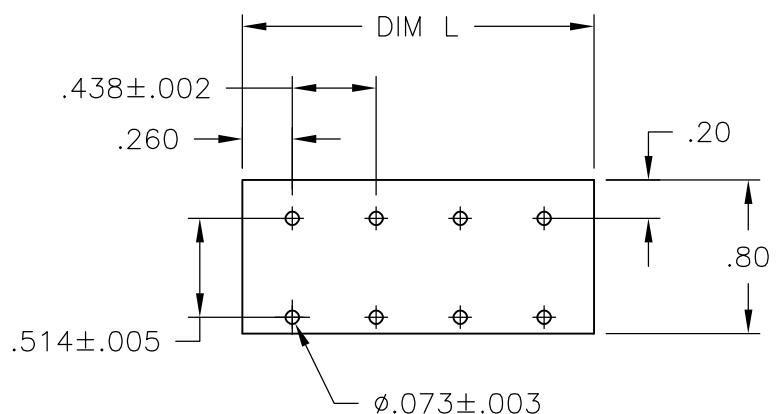
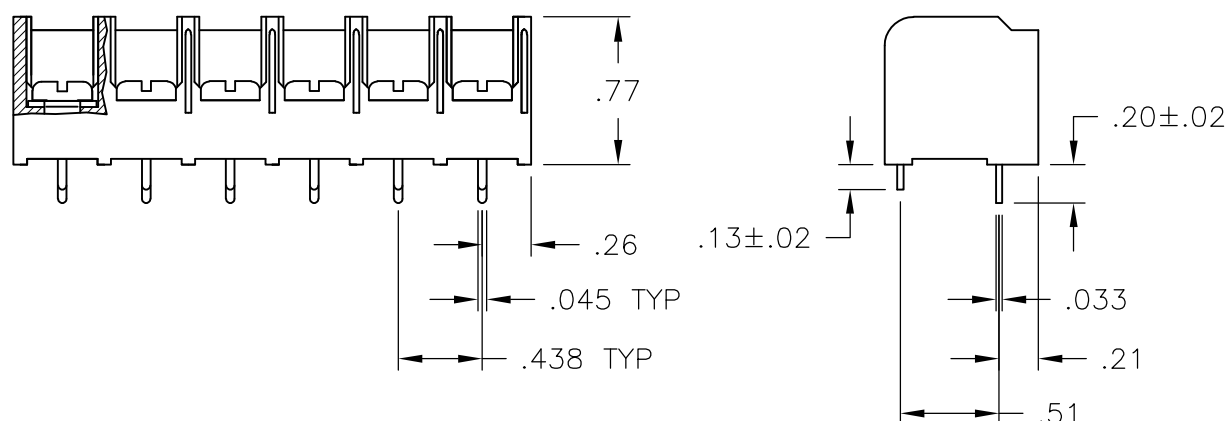
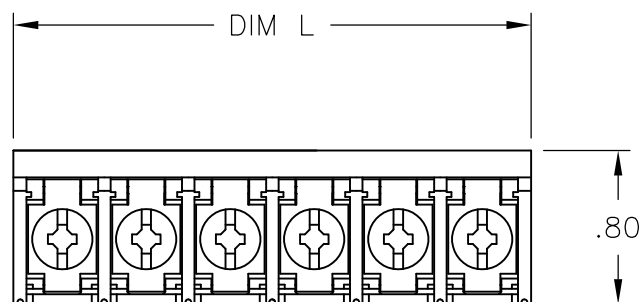
© COPYRIGHT BY TYCO ELECTRONICS CORPORATION. ALL RIGHTS RESERVED.

LOC	DIST	REVISIONS					
FT	0	P	LTR	DESCRIPTION	DATE	DWN	APVD
			D	REVISED PER ECO-10-004812	04MAY10	HMR	CR

MATERIALS:
 HOUSING: THERMOPLASTIC, UL94V-0, BLACK.
 TERMINAL: BRIGHT TIN OVER COPPER ALLOY.
 SCREWS: 8-32, ZINC PLATED STEEL.

ELECTRICAL:
 CURRENT RATING: 30A
 VOLTAGE RATING: 600V
 WIRE RANGE: 10-18 AWG (UL)
 10-22 AWG (CSA)

MECHANICAL:
 RECOMMENDED TORQUE: 20 IN-LB.
 OPERATING TEMP.: -40°C TO +120°C MAX.



RECOMMENDED PCB LAYOUT

8.823	20	8DBL-20-007	2-1546847-0
8.385	19	8DBL-19-007	1-1546847-9
7.948	18	8DBL-18-007	1-1546847-8
7.510	17	8DBL-17-007	1-1546847-7
7.073	16	8DBL-16-007	1-1546847-6
6.635	15	8DBL-15-007	1-1546847-5
6.198	14	8DBL-14-007	1-1546847-4
5.760	13	8DBL-13-007	1-1546847-3
5.323	12	8DBL-12-007	1-1546847-2
4.885	11	8DBL-11-007	1-1546847-1
4.448	10	8DBL-10-007	1-1546847-0
4.010	9	8DBL-09-007	1546847-9
3.573	8	8DBL-08-007	1546847-8
3.135	7	8DBL-07-007	1546847-7
2.698	6	8DBL-06-007	1-1437657-8
2.260	5	8DBL-05-007	796709-1
1.823	4	8DBL-04-007	1-1437657-4
1.385	3	8DBL-03-007	1546847-3
.948	2	8DBL-02-007	1437657-9
DIM L	NO OF POS	CATALOG NUMBER	TE NUMBER

THIS DRAWING IS A CONTROLLED DOCUMENT.		DWN	S SCHLEGEL	10/25/06	Tyco Electronics Corporation Harrisburg, PA 17105-3608			
DIMENSIONS: INCHES		CHK	S YODER	10/25/06	NAME			
TOLERANCES UNLESS OTHERWISE SPECIFIED:		APVD	S YODER	10/25/06	8DBL-XX-007 ASSEMBLY			
0 PLC ± -		PRODUCT SPEC		SIZE		CAGE CODE	DRAWING NO	RESTRICTED TO
1 PLC ± -		APPLICATION SPEC		A3		00779	C-1-1437657-4	-
2 PLC ± .01		MATERIAL		WEIGHT		SCALE		SHEET
3 PLC ± .005		FINISH		CUSTOMER DRAWING		1:1		1 OF 1
4 PLC ± -		MATERIAL		SCALE		SHEET		REV
ANGLES ± 1°		MATERIAL		1:1		1 OF 1		D