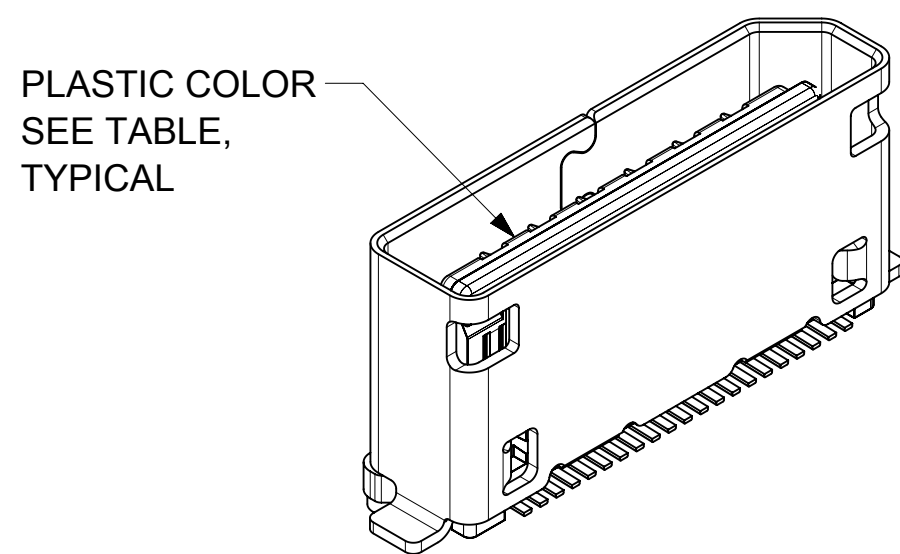
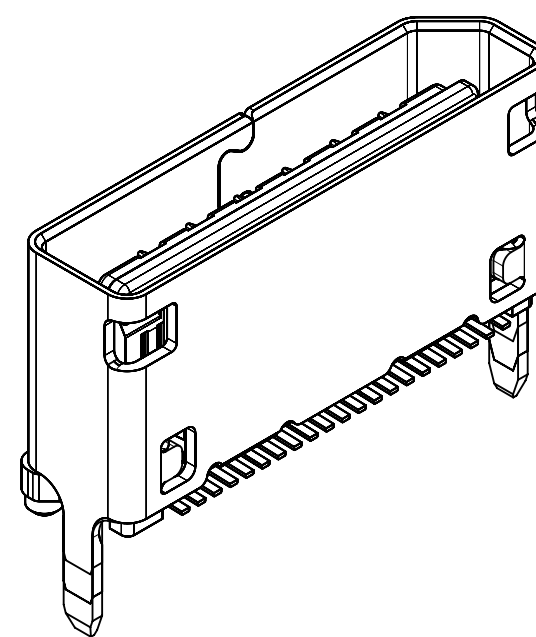


STATUS	MATERIAL NUMBER	SHELL ATTACH OPTION	PLASTIC COLOR	DIM "T" OPTION 1
TOOLED	171983-0142	SMT	BLACK	-
NOT TOOLED	171983-0342	SMT	NATURAL	-
TOOLED	171983-2042	TH	BLACK	3.00
TOOLED	171983-2342	TH	NATURAL	3.00
TOOLED	171983-2442	TH	BLACK	2.36
TOOLED	171983-2542	TH	NATURAL	2.36
TOOLED	171983-2642	TH	BLACK	1.57
TOOLED	171983-2742	TH	NATURAL	1.57
TOOLED	171983-3042	XD	BLACK	3.00
TOOLED	171983-3142	XD	NATURAL	3.00
NOT TOOLED	171983-3242	XD	BLACK	2.36
NOT TOOLED	171983-3342	XD	NATURAL	2.36
NOT TOOLED	171983-3442	XD	BLACK	1.57
NOT TOOLED	171983-3542	XD	NATURAL	1.57

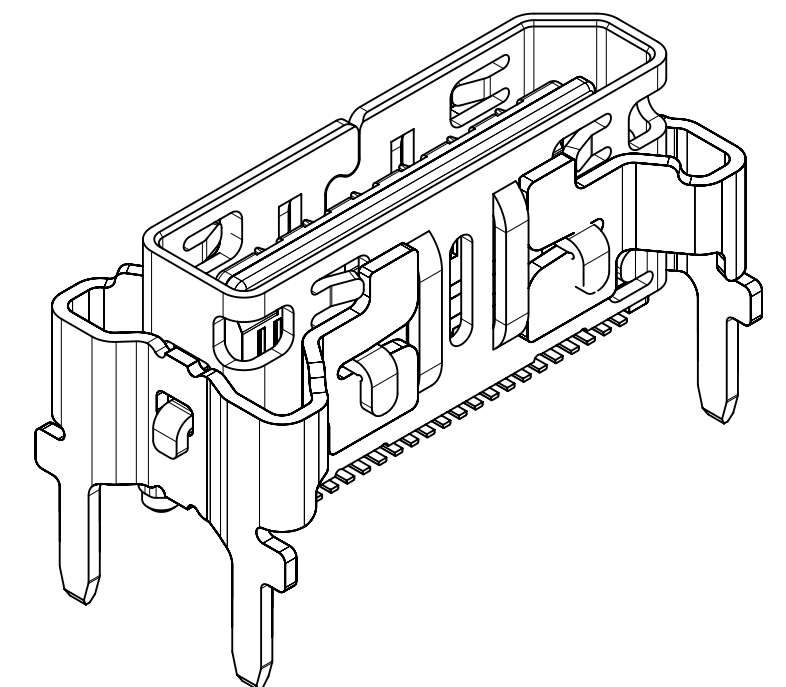
42 CIRCUIT SMT SHELL



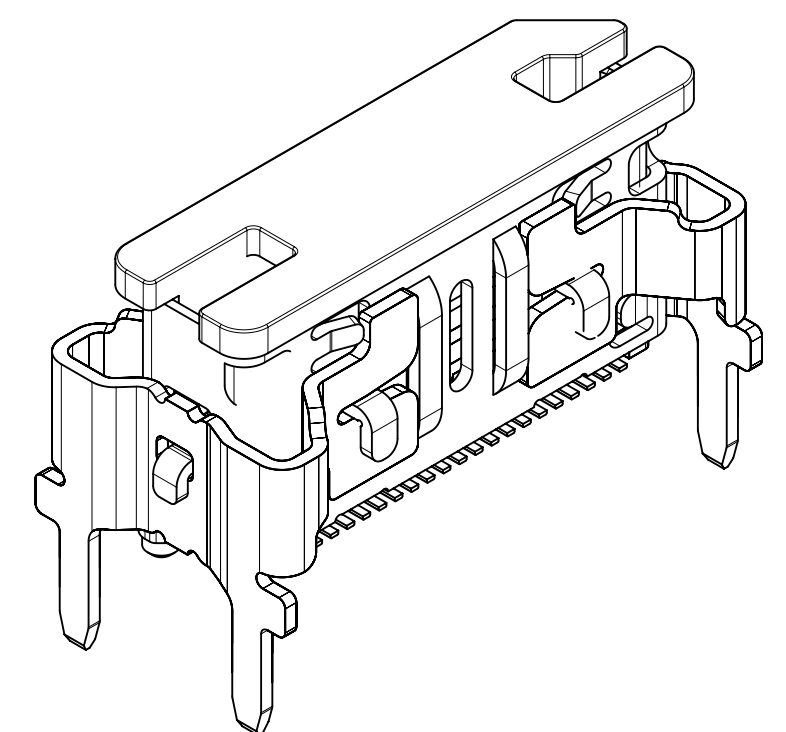
42 CIRCUIT THRU HOLE SHELL



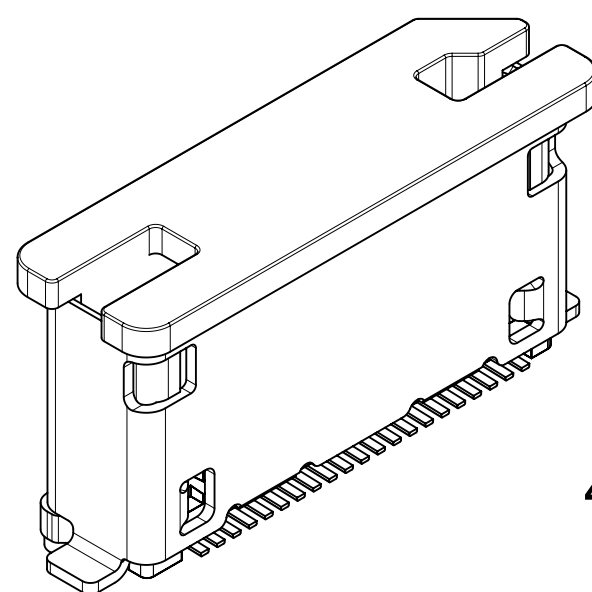
42 CIRCUIT XD SHELL



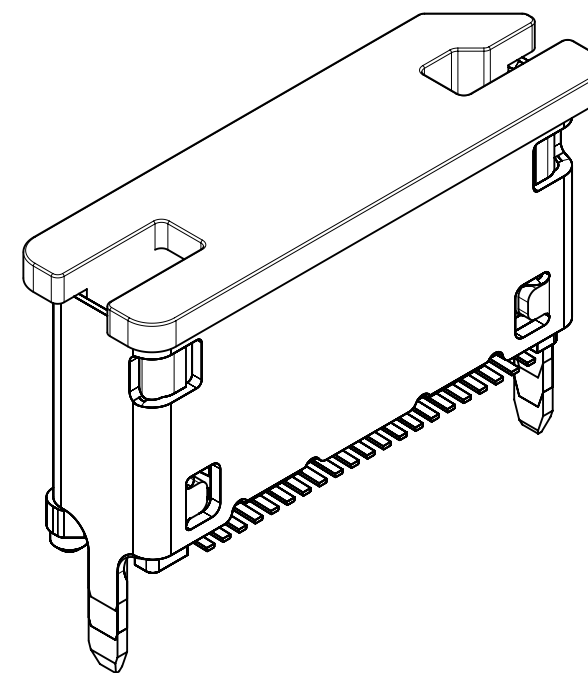
42 CIRCUIT XD SHELL W/ CAP



42 CIRCUIT SMT SHELL W/ CAP



42 CIRCUIT THRU HOLE SHELL W/ CAP



NOTES:

1. MATERIALS:

HOUSING - GLASS FILLED THERMOPLASTIC, 94V-0
 CONTACTS - HIGH PERFORMANCE COPPER ALLOY
 SHIELD - STAINLESS STEEL
 DUST CAP-GLASSFILLED THERMOPLASTIC 94V-0
 COLOR:BLACK

2. FINISH:

CONTACTS - 0.76µm MIN. GOLD MATING SIDE
 0.05µm GOLD FLASH ON SOLDER TAILS
 2.0µm MIN. NICKEL UNDERPLATE OVERALL

SMT/TH SHIELD - MATTE TIN OVER 1.27µm MIN. NICKEL
 XD SHIELD-MATT TIN ON SOLDER LEGS ONLY

3. PRODUCT SPECIFICATION: PS-171982-0001

4. PACKAGING SPECIFICATION: PK-171982-9000

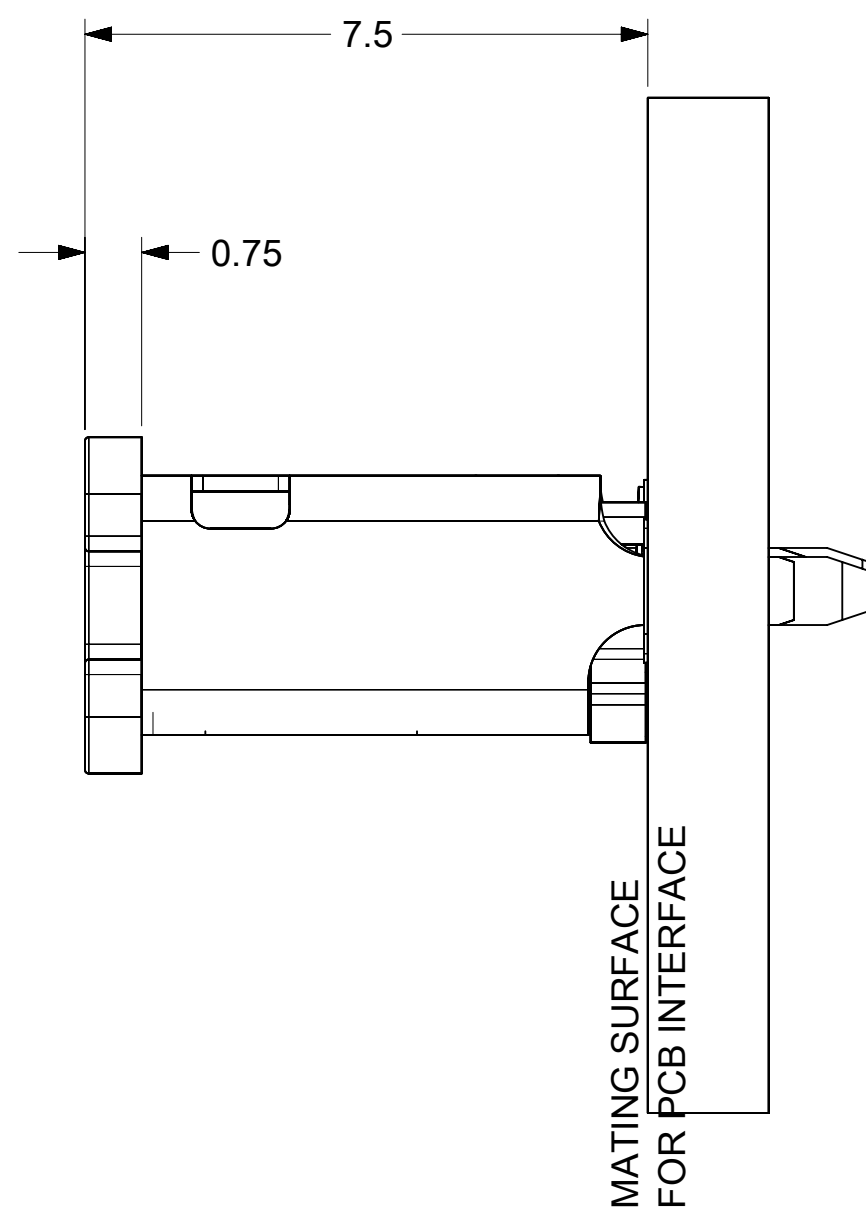
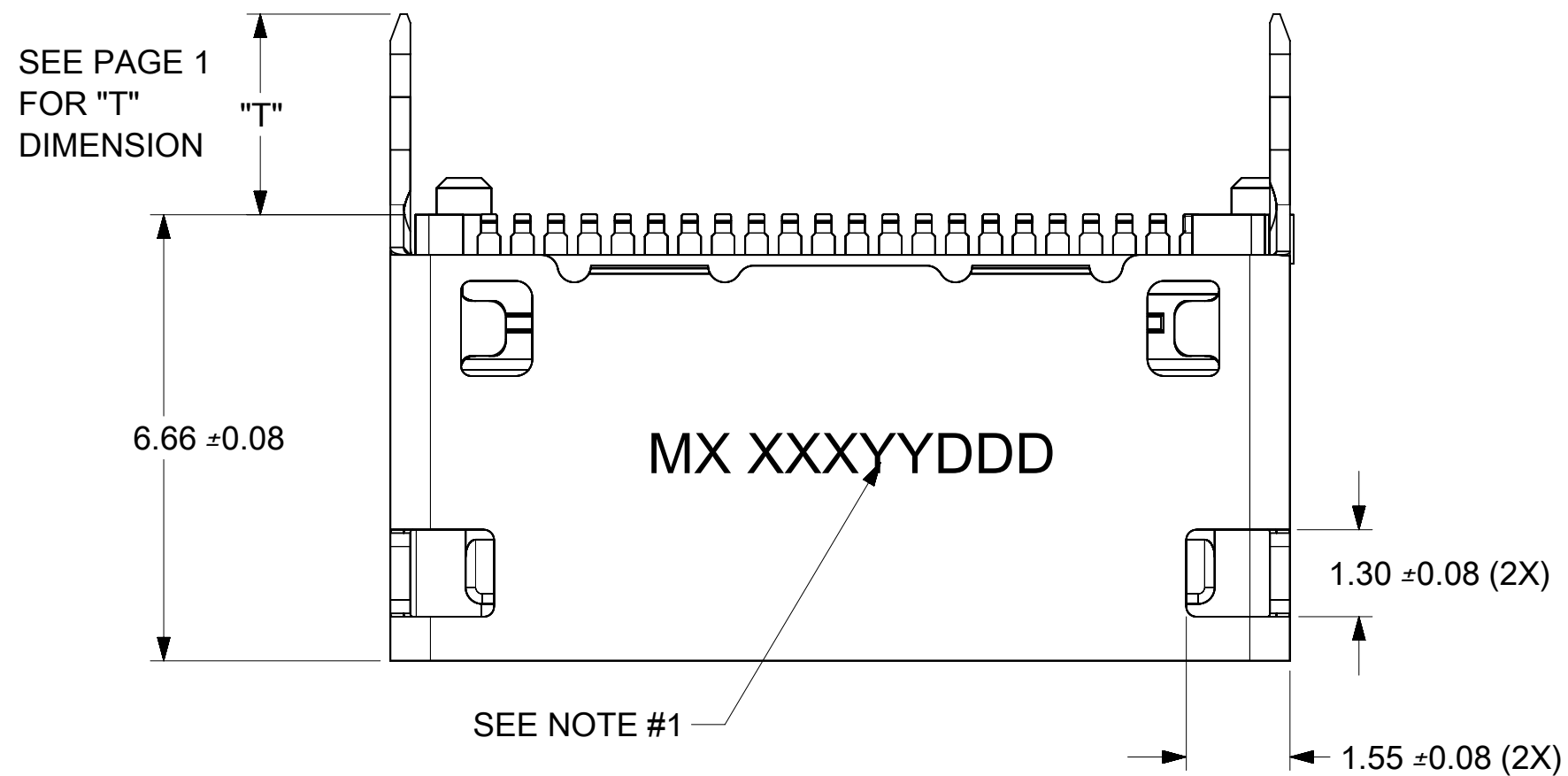
5. MATES WITH: MOLEX CABLE SERIES 100436
 COMPLIES WITH PCI EXPRESS OCULINK REV.1.0 SPECIFICATION

6. APPLICATION SPECIFICATION: AS-173162-0001

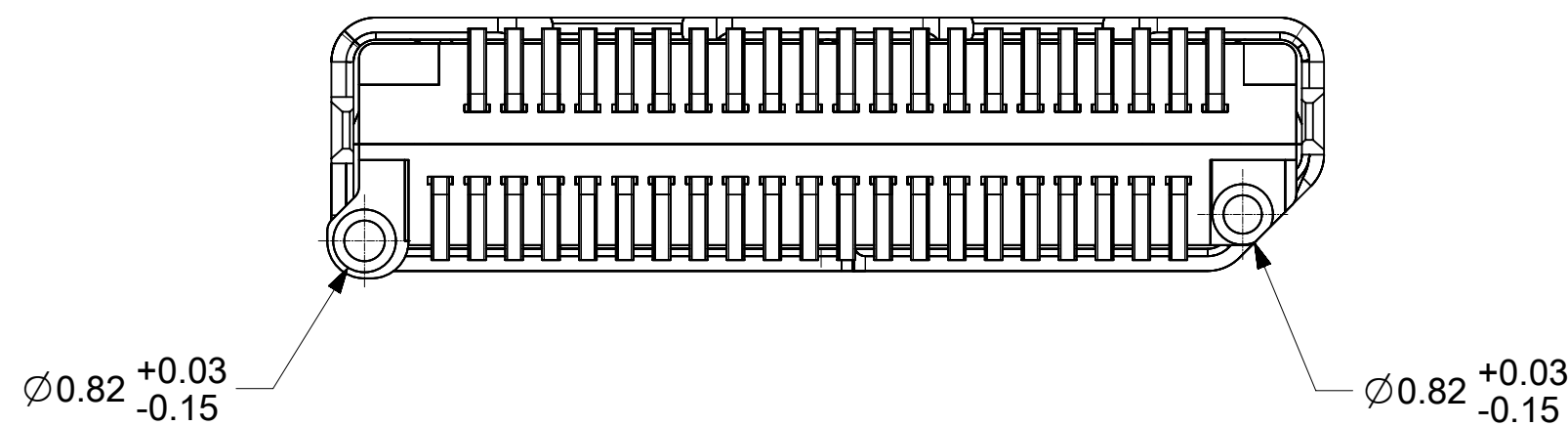
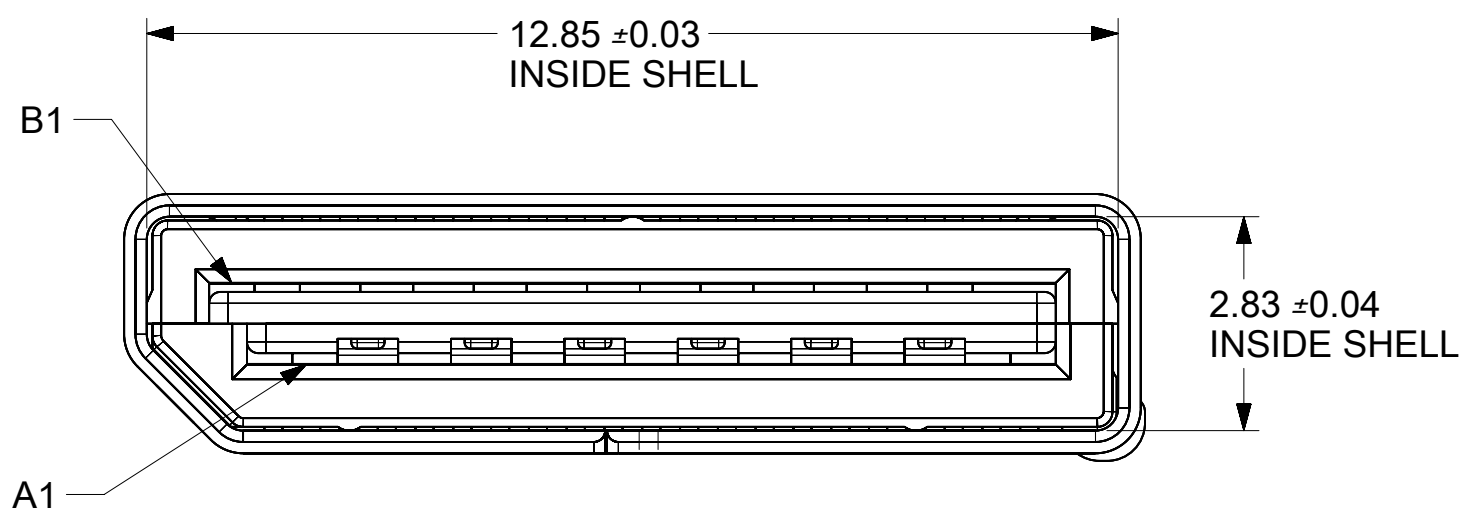
7. COSMETIC SPECIFICATION: PS-173162-0001,CLASS C

THIS DRAWING CONTAINS INFORMATION THAT IS PROPRIETARY TO MOLEX ELECTRONIC TECHNOLOGIES, LLC AND SHOULD NOT BE USED WITHOUT WRITTEN PERMISSION										
MIGRATED TO NX	2018/05/24	GENERAL TOLERANCES (UNLESS SPECIFIED)		DIMENSION UNITS		SCALE				
	2018/05/31	MM	INCH	MM		6:1				
	2018/05/31	4 PLACES ±	±	DRWN BY		DATE				
		3 PLACES ±	±	MJANTELEZIO		2015/10/22				
		2 PLACES ±	0.13 ±	CHK'D BY		DATE				
	1 PLACES ±	0.25 ±	APPR BY		DATE					
	0 PLACES ±	±	MBANAKIS		2015/11/09					
EC NO: 176155	ANGULAR TOL = 0.5		DRAWING SIZE		THIRD ANGLE PROJECTION					
DRWN: CHEN103	DRAFT WHERE APPLICABLE MUST REMAIN WITHIN DIMENSIONS		C							
CHKD: JKACHLIC	 NANO PITCH I/O VERTICAL 4X									
REV / APPR: JKACHLIC										
PRODUCT CUSTOMER DRAWING			SERIES		MATERIAL NUMBER		CUSTOMER			
			171983		SEE CHART		GENERAL MARKET			
RELEASE STATUS				DOCUMENT NUMBER		DOC TYPE		DOC PART		SHEET NUMBER
P1				SD-171983-1000		PSD		001		1 OF 7
RELEASE DATE		2018/05/31		08:50:17						

42 CIRCUIT TH ASSEMBLY



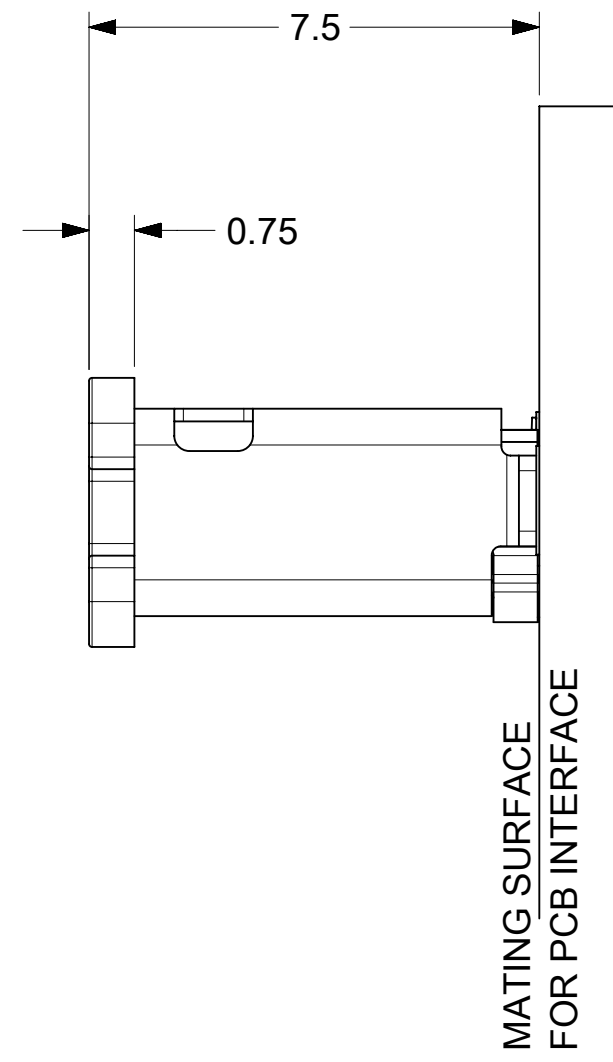
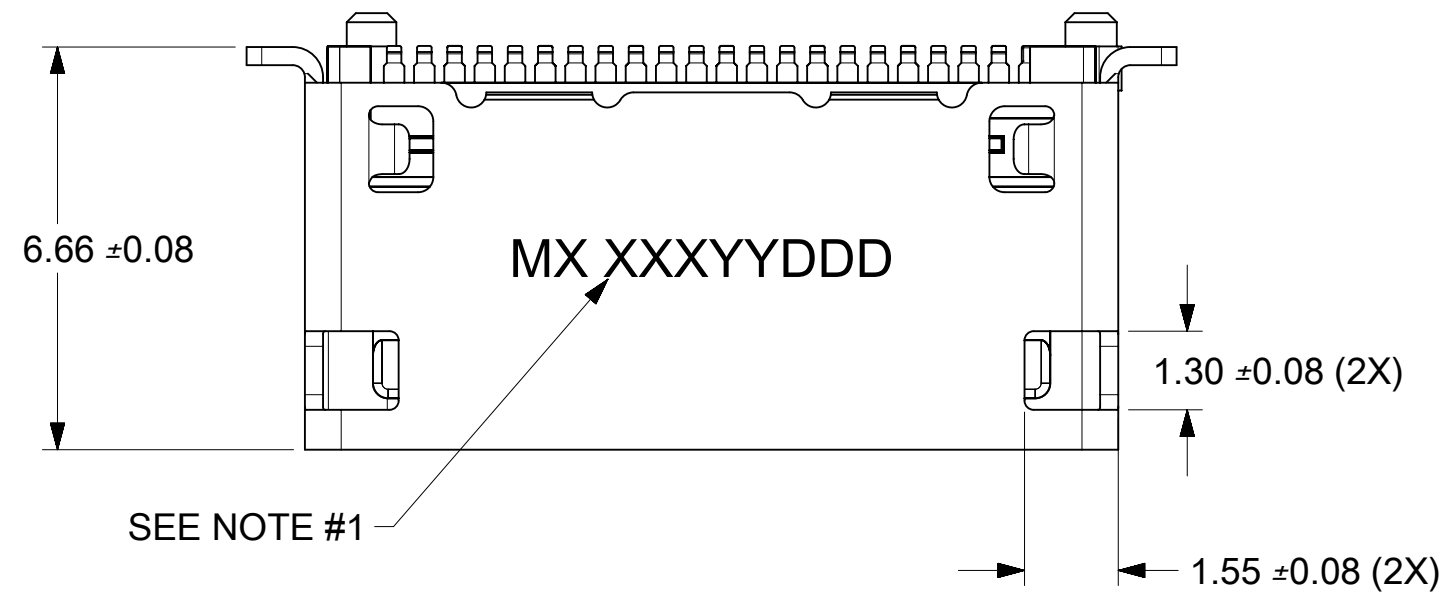
WITH CAP



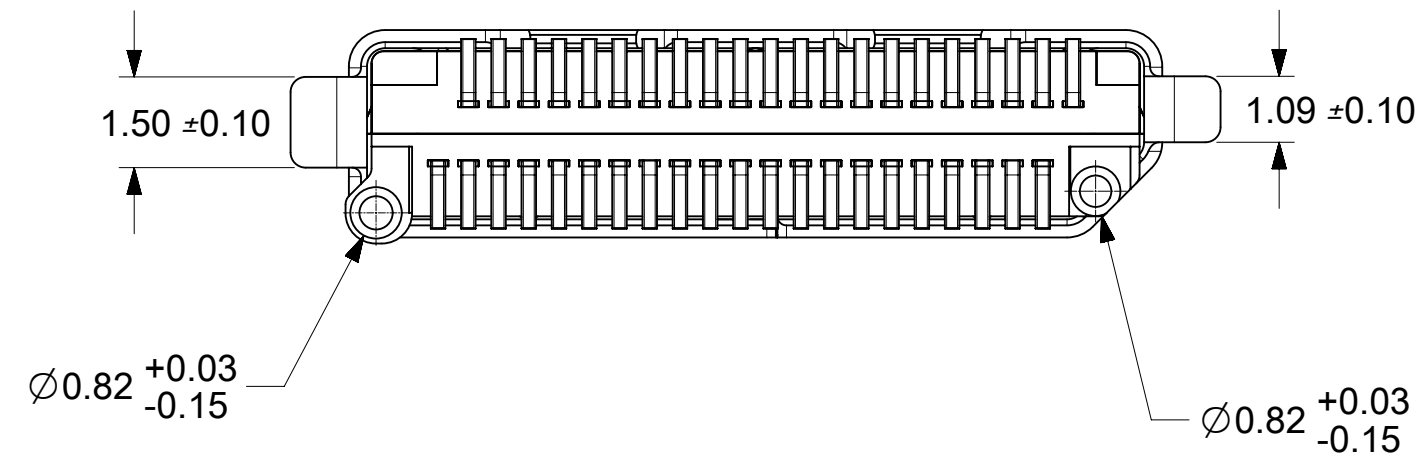
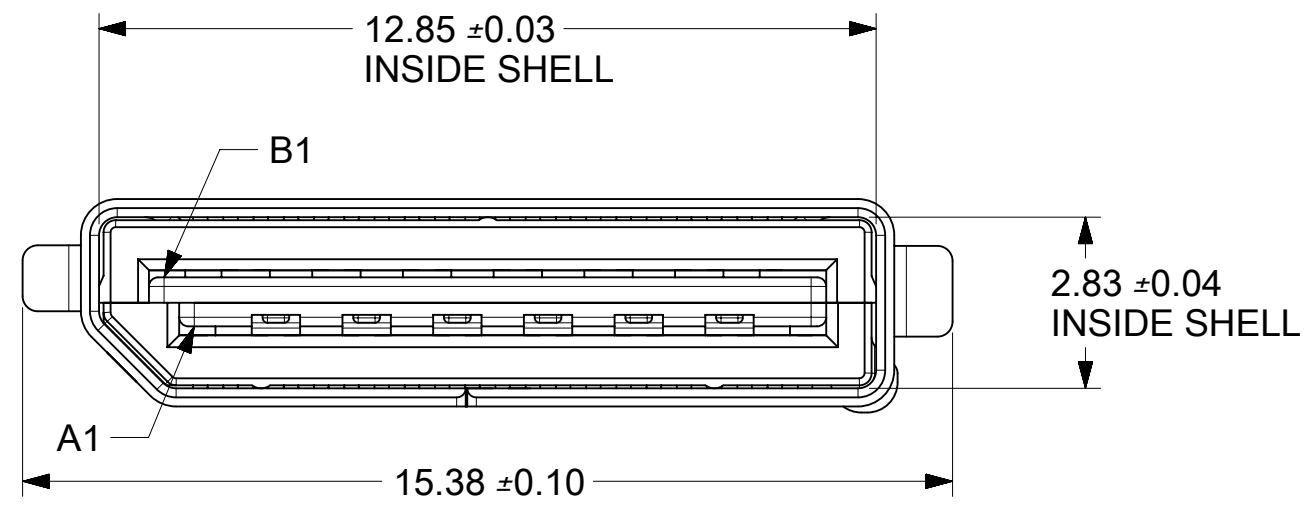
- NOTES:
1. PLANT CODE, MANUFACTURED DATE CODE (JULIAN CALENDAR) AND PART NUMBER
 2. SOLDER TAIL COPLANARITY 0.10 MAX

THIS DRAWING CONTAINS INFORMATION THAT IS PROPRIETARY TO MOLEX ELECTRONIC TECHNOLOGIES, LLC AND SHOULD NOT BE USED WITHOUT WRITTEN PERMISSION											
MIGRATED TO NX EC NO: 176155 DRWN: CHEN103 CHKD: JKACHLIC REV / APPR: JKACHLIC	2018/05/24		2018/05/31		2018/05/31		GENERAL TOLERANCES (UNLESS SPECIFIED)		DIMENSION UNITS		SCALE
							MM INCH		MM		10:1
	4 PLACES ±		±		±				DRWN BY		DATE
	3 PLACES ±		±		±				MJANTELEZIO		2015/10/22
	2 PLACES ±		0.13 ±		±				CHK'D BY		DATE
	1 PLACES ±		0.25 ±		±				APPR BY		DATE
0 PLACES ±		±		±				MBANAKIS		2015/11/09	
		ANGULAR TOL ±		0.5				DRAWING SIZE		THIRD ANGLE PROJECTION	
		DRAFT WHERE APPLICABLE		MUST REMAIN		WITHIN DIMENSIONS		C			
RELEASE STATUS			P1	RELEASE DATE		2018/05/31	08:50:17	molex®		NANO PITCH I/O VERTICAL 4X	
PRODUCT CUSTOMER DRAWING			SERIES	MATERIAL NUMBER		CUSTOMER		171983		SEE CHART	
DOCUMENT NUMBER			SD-171983-1000		DOC TYPE	PSD	DOC PART	001	SHEET NUMBER		2 OF 7

42 CIRCUIT SMT ASSEMBLY



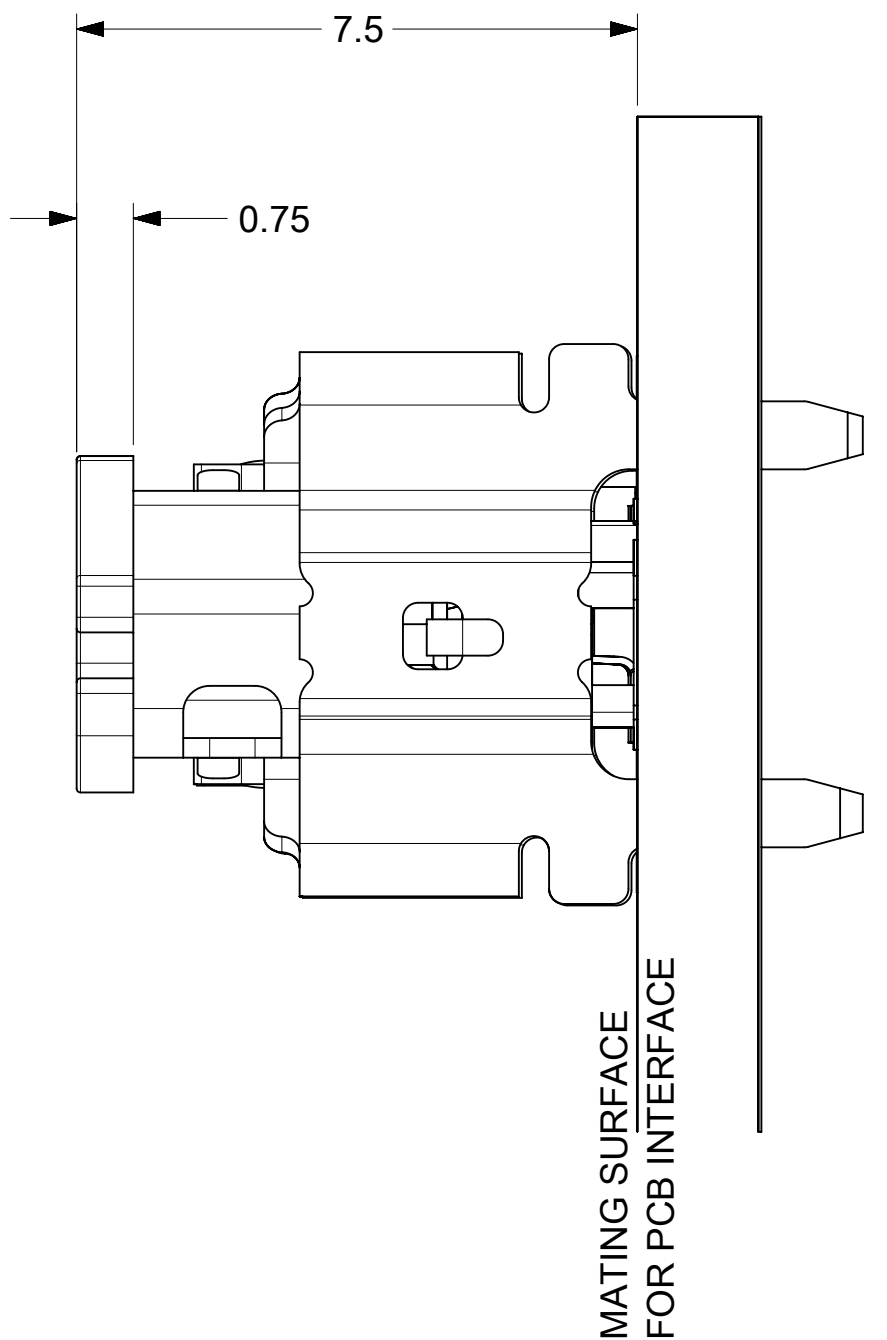
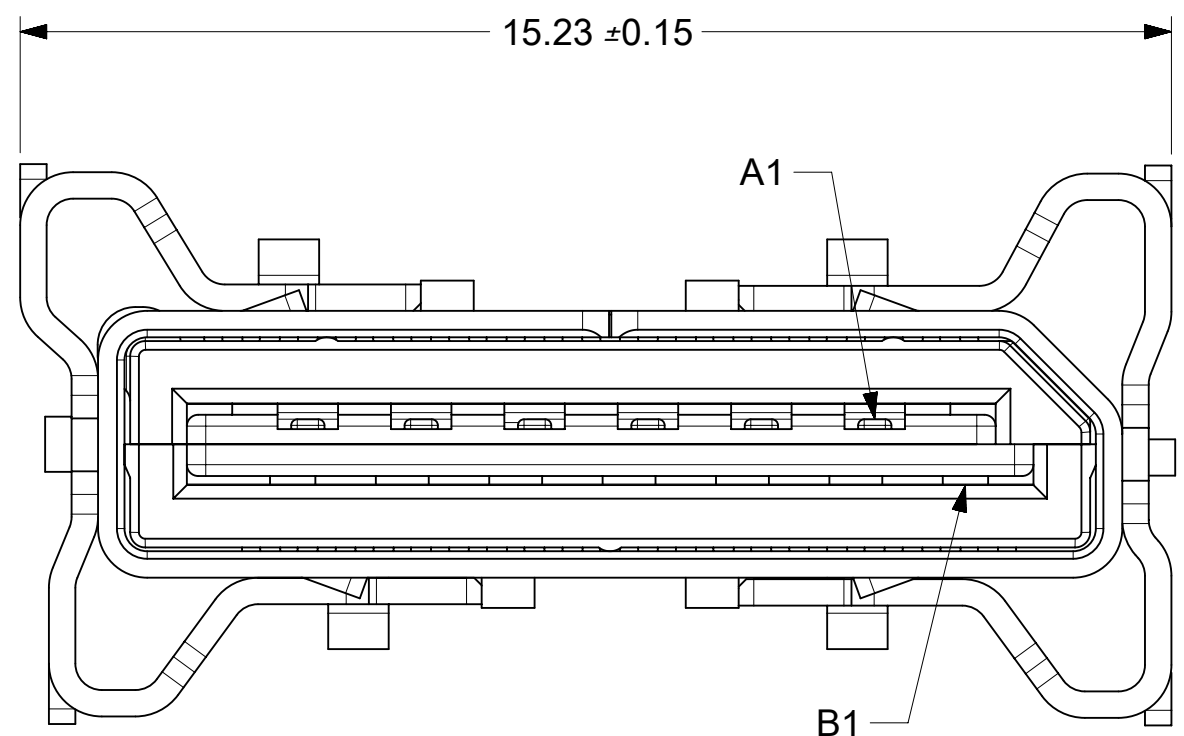
WITH CAP



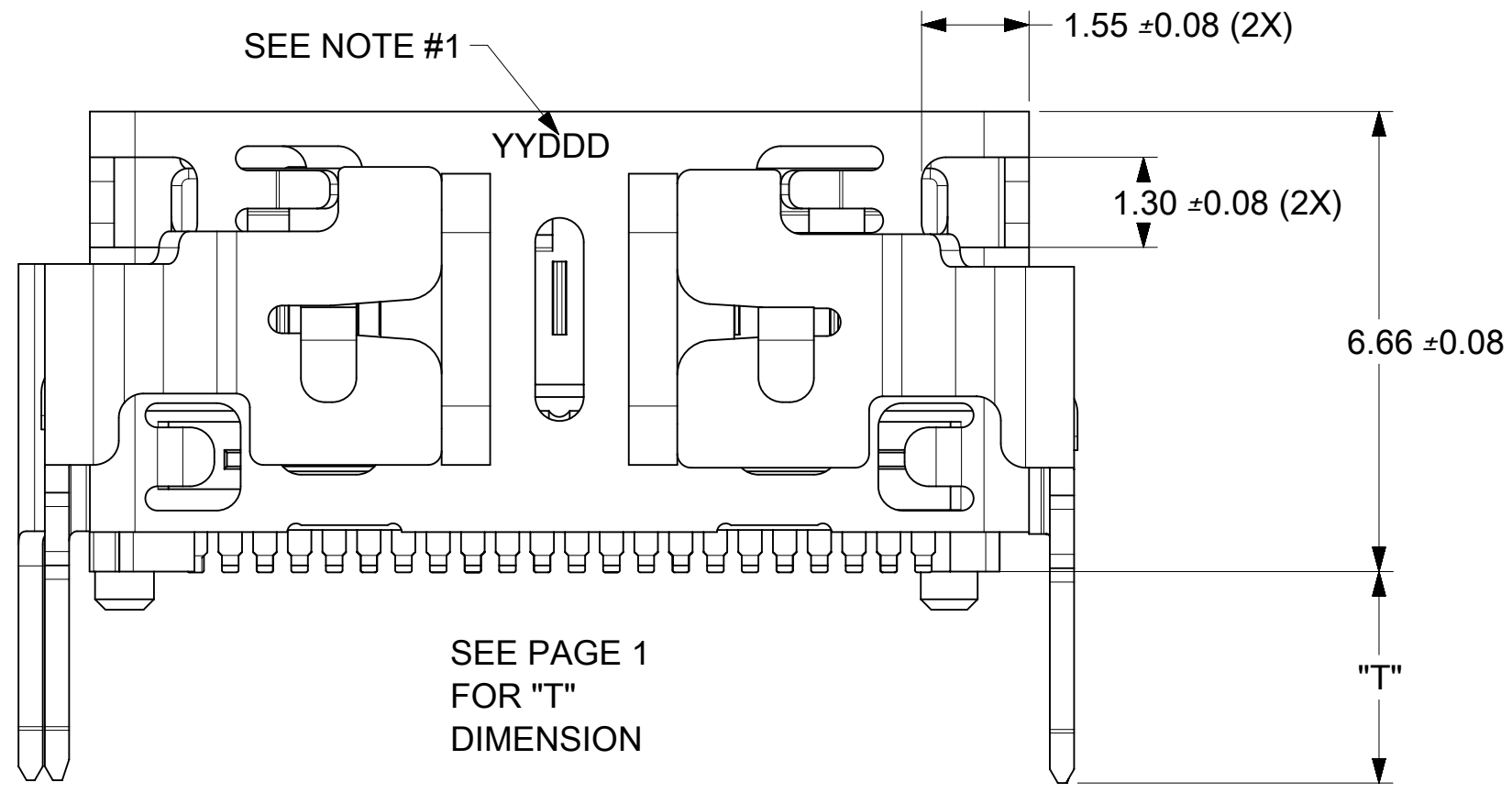
- NOTES:**
1. PLANT CODE, MANUFACTURED DATE CODE (JULIAN CALENDAR) AND PART NUMBER
 2. SOLDER TAIL COPLANARITY 0.10 MAX

THIS DRAWING CONTAINS INFORMATION THAT IS PROPRIETARY TO MOLEX ELECTRONIC TECHNOLOGIES, LLC AND SHOULD NOT BE USED WITHOUT WRITTEN PERMISSION																
MIGRATED TO NX EC NO: 176155 DRWN: CCHEN103 CHKD: JKACHLIC REV / APPR: JKACHLIC	2018/05/24		2018/05/31		2018/05/31		GENERAL TOLERANCES (UNLESS SPECIFIED)		DIMENSION UNITS		SCALE		molex			
	MM		INCH		MM		INCH		MM		8:1					
	4 PLACES ±		±		3 PLACES ±		±		DRWN BY		DATE		NANO PITCH I/O VERTICAL 4X			
	3 PLACES ±		±		2 PLACES ±		0.13 ±		MJANTELEZIO		2015/10/22					
	2 PLACES ±		±		1 PLACES ±		0.25 ±		CHK'D BY		DATE					
1 PLACES ±		±		0 PLACES ±		±		APPR BY		DATE		PRODUCT CUSTOMER DRAWING				
0 PLACES ±		±		ANGULAR TOL ±		0.5		MBANAKIS		2015/11/09		SERIES	MATERIAL NUMBER		CUSTOMER	
DRAWING SIZE		THIRD ANGLE PROJECTION		171983	SEE CHART			GENERAL MARKET								
DRAFT WHERE APPLICABLE MUST REMAIN WITHIN DIMENSIONS		C		DOCUMENT NUMBER		SD-171983-1000		DOC TYPE	PSD	DOC PART	001	SHEET NUMBER		3 OF 7		

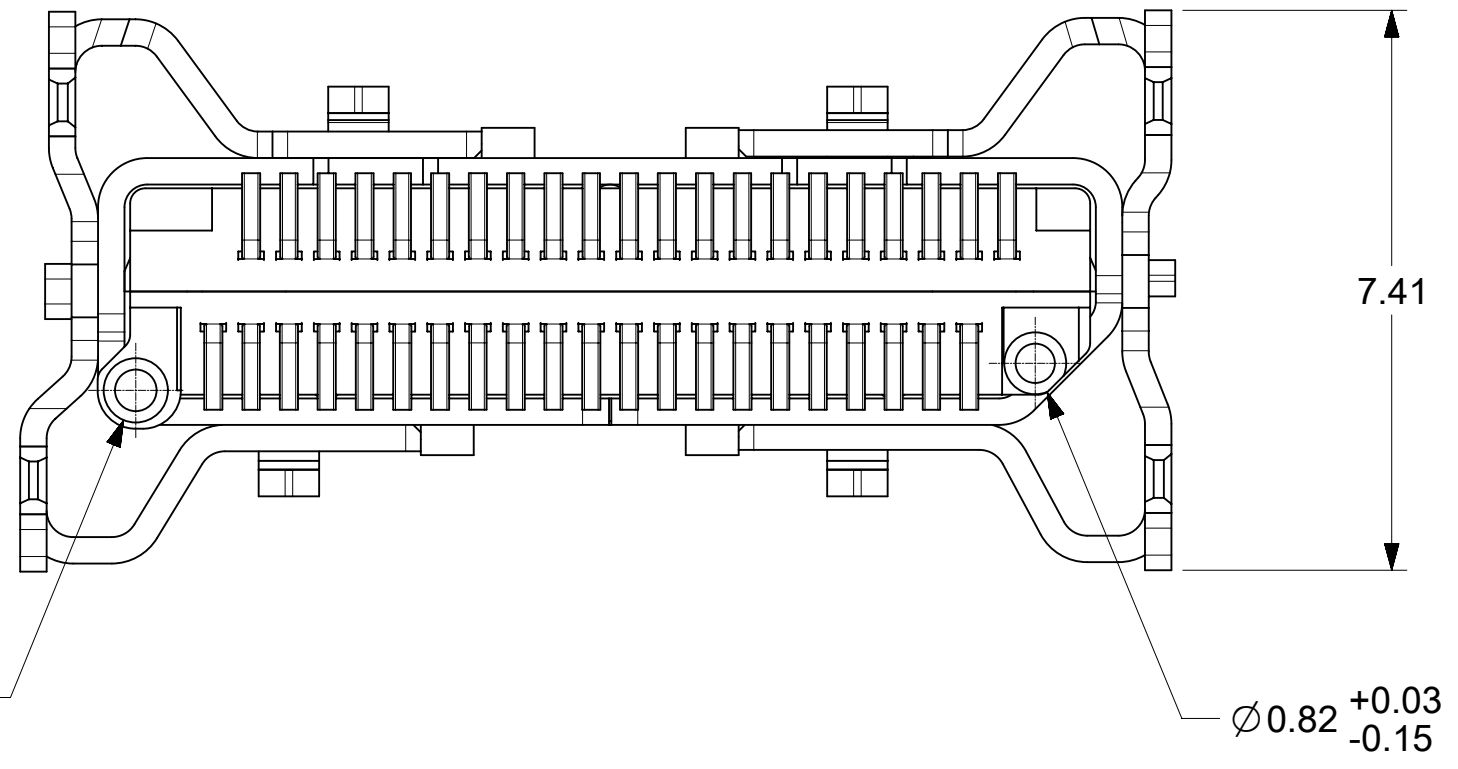
42 CIRCUIT XD ASSEMBLY



WITH CAP

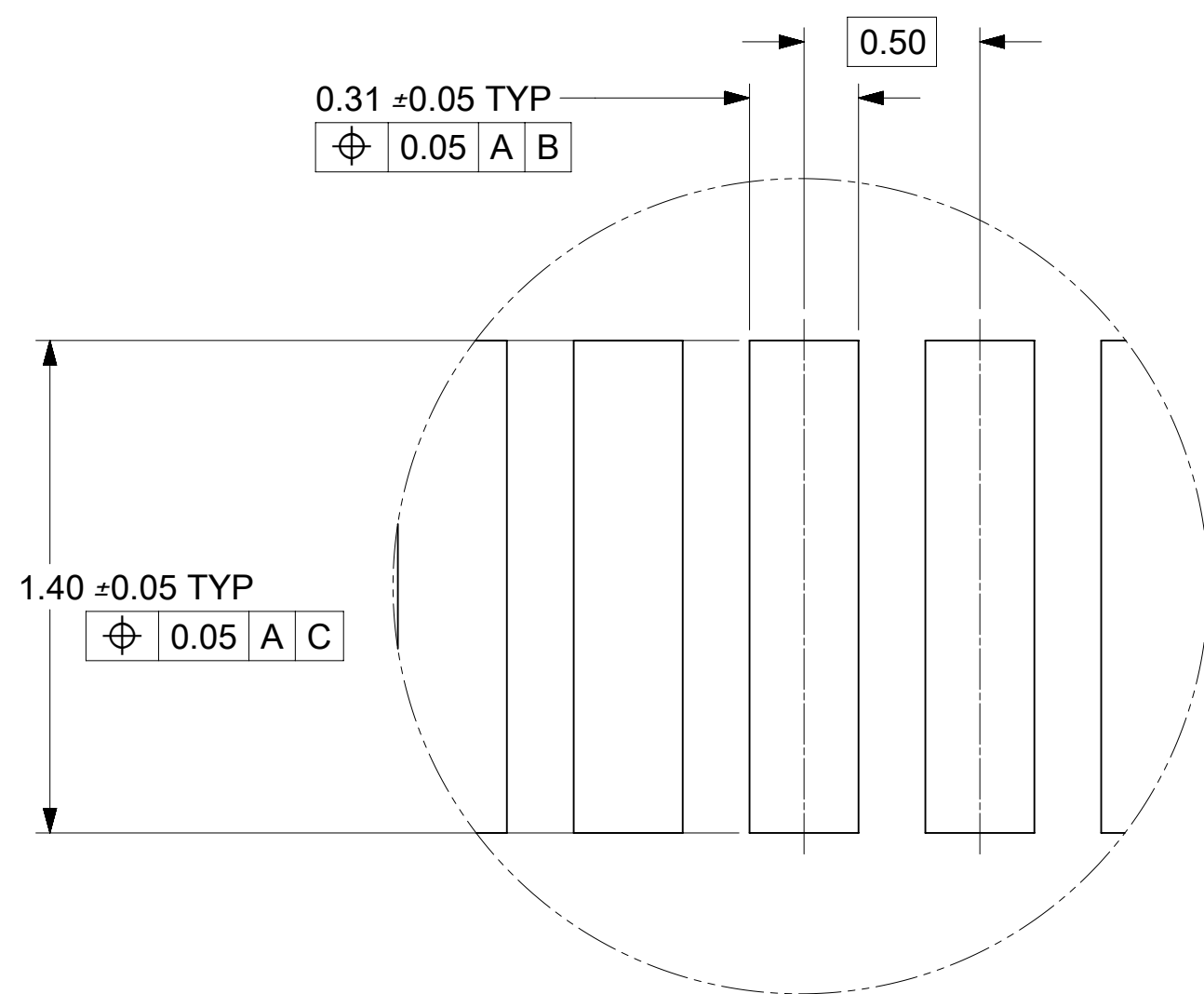
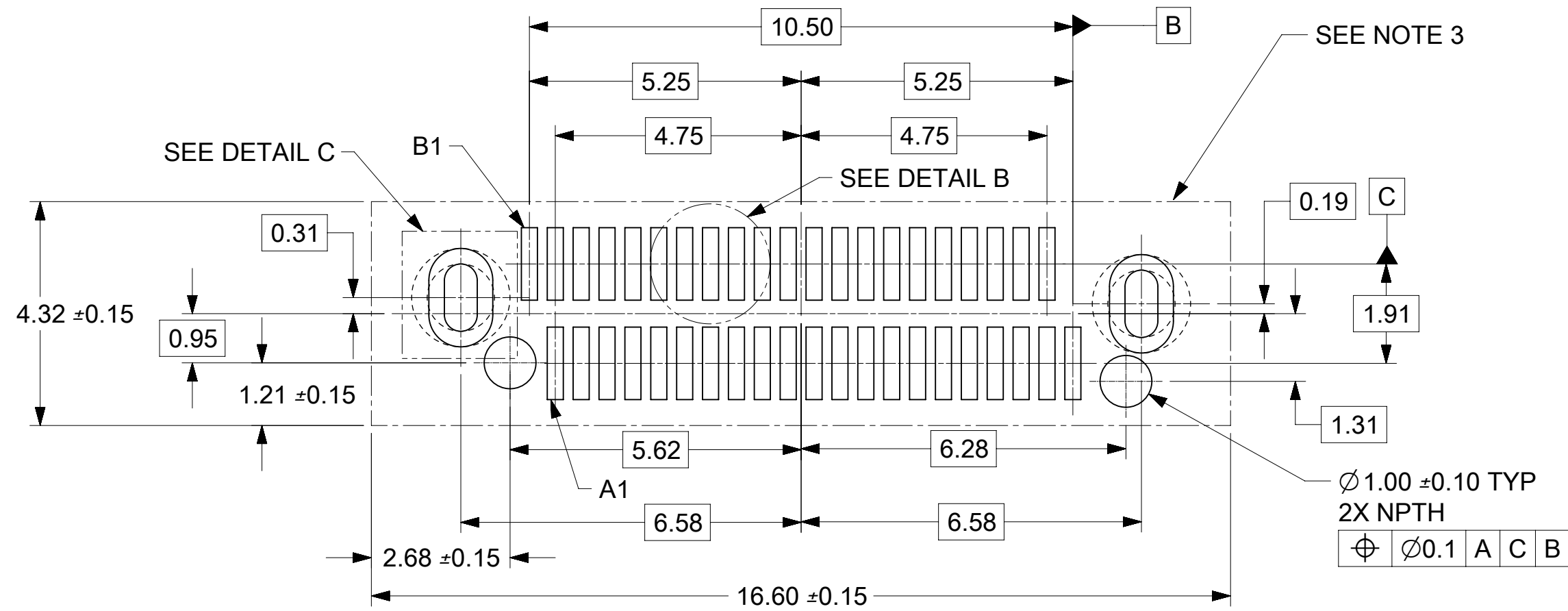


- NOTES:
 1. MANUFACTURED DATE CODE (JULIAN CALENDAR)
 2. SOLDER TAIL COPLANARITY 0.10 MAX

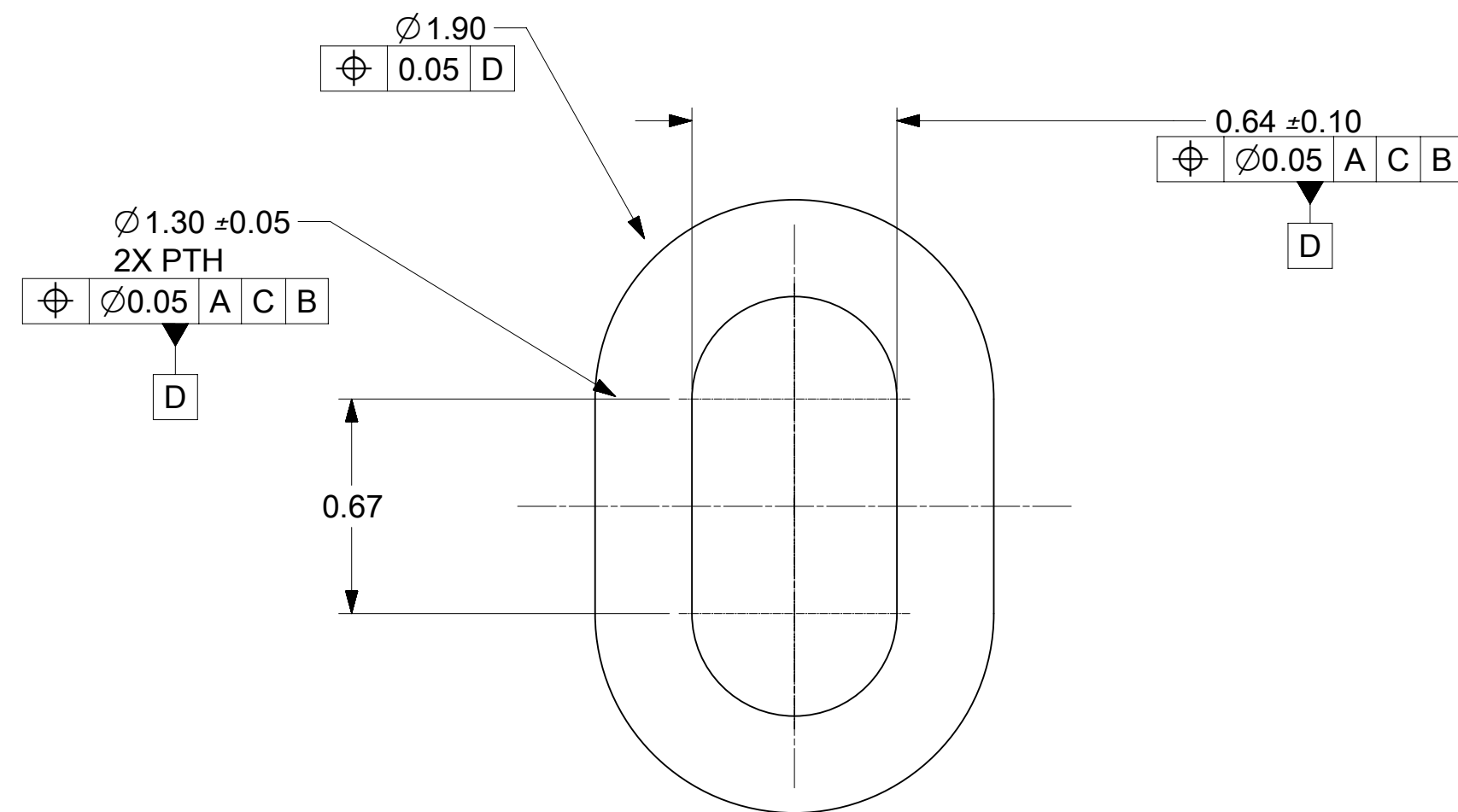


THIS DRAWING CONTAINS INFORMATION THAT IS PROPRIETARY TO MOLEX ELECTRONIC TECHNOLOGIES, LLC AND SHOULD NOT BE USED WITHOUT WRITTEN PERMISSION									
MIGRATED TO NX EC NO: 176155 DRWN: CCHEN103 CHKD: JKACHLIC REV / APPR: JKACHLIC	2018/05/24 2018/05/31 2018/05/31		GENERAL TOLERANCES (UNLESS SPECIFIED)		DIMENSION UNITS	SCALE	molex		
			MM	INCH	MM	10:1			
	4 PLACES	±	±	DRWN BY	DATE	MJANTELEZIO		2015/10/22	
	3 PLACES	±	±	CHK'D BY	DATE				
	2 PLACES	±	0.13	±	APPR BY	DATE	MBANAKIS		2015/11/09
1 PLACES	±	0.25	±	DRAWING SIZE	THIRD ANGLE PROJECTION				
0 PLACES	±	±	±	C					
ANGULAR TOL = 0.5			DRAFT WHERE APPLICABLE MUST REMAIN WITHIN DIMENSIONS						
SERIES		MATERIAL NUMBER		CUSTOMER		PRODUCT CUSTOMER DRAWING			
171983		SEE CHART		GENERAL MARKET					
DOCUMENT NUMBER			DOC TYPE	DOC PART	SHEET NUMBER				
SD-171983-1000			PSD	001	4 OF 7				

42 CIRCUIT TAIL RECOMMENDED FOOTPRINT



DETAIL B
SCALE 50:1



DETAIL C
SCALE 50:1

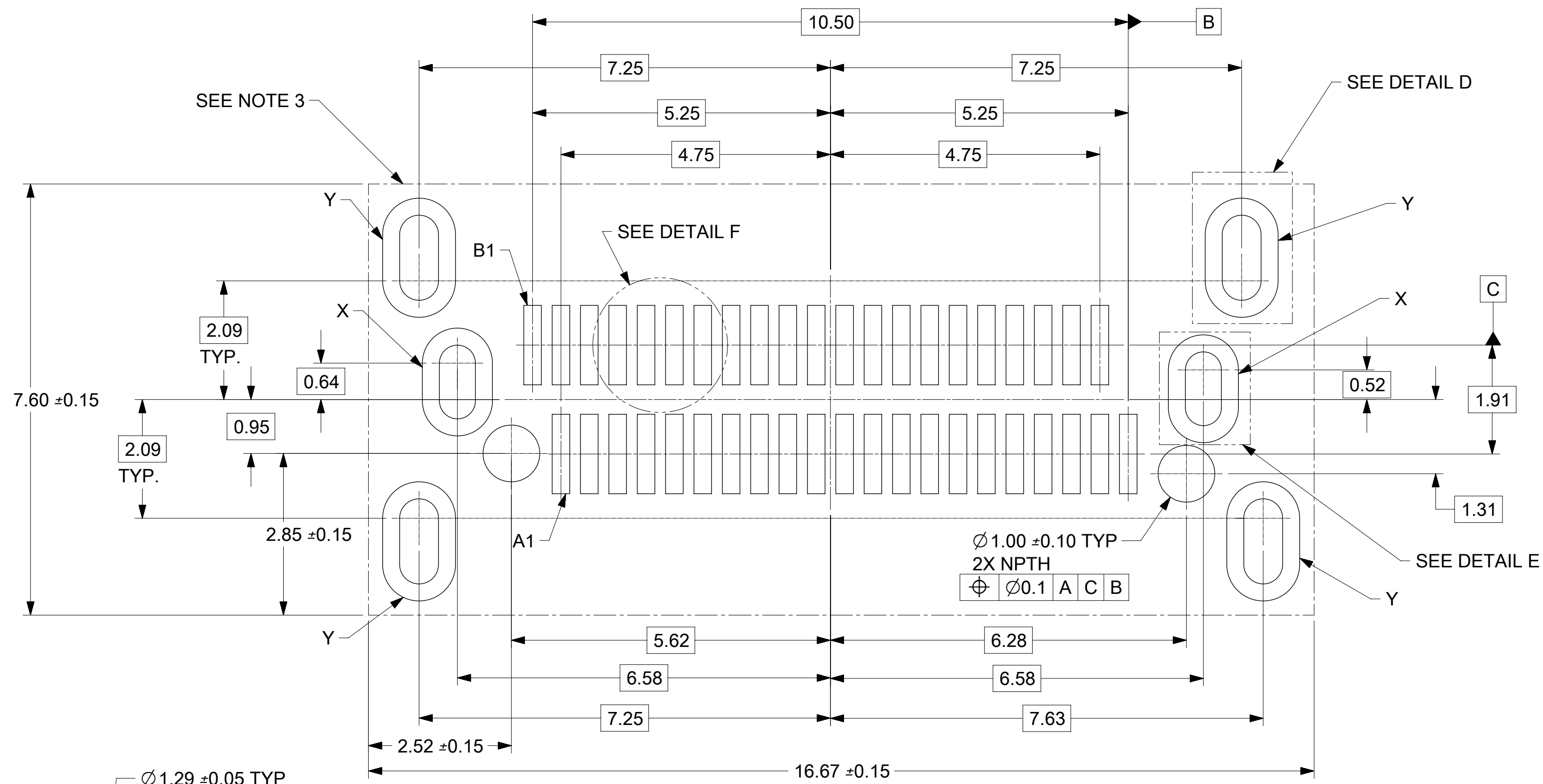
NOTES:

1. MINIMUM RECOMMENDED SPACING BETWEEN ADJACENT CONNECTORS IS 19.05mm
2. MINIMUM RECOMMENDED PCB THICKNESS: 1.57mm
3. CONNECTOR KEEP OUT AREA
4. DATUM -A- ESTABLISHED FROM TOP SURFACE OF PCB

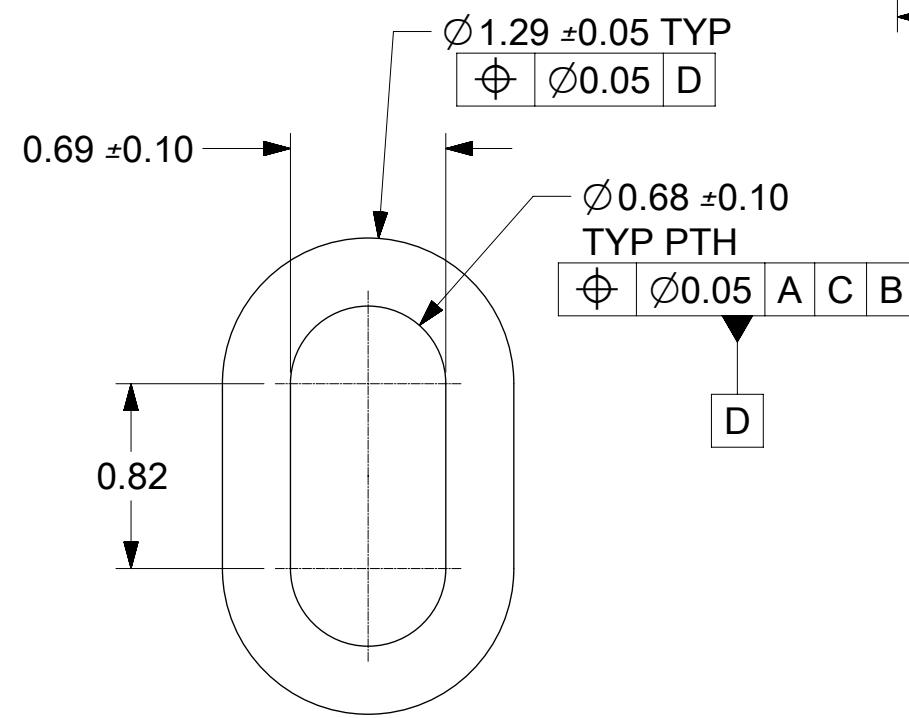
THIS DRAWING CONTAINS INFORMATION THAT IS PROPRIETARY TO MOLEX ELECTRONIC TECHNOLOGIES, LLC AND SHOULD NOT BE USED WITHOUT WRITTEN PERMISSION

EC NO: 176155 DRWN: CHEN103 CHKD: JKACHLIC REV / APPR: JKACHLIC	2018/05/24 2018/05/31 2018/05/31		GENERAL TOLERANCES (UNLESS SPECIFIED)		DIMENSION UNITS MM		SCALE 10:1						
	4 PLACES ± ±		MM INCH		DRWN BY MJANTELEZIO		DATE 2015/10/22					NANO PITCH I/O VERTICAL 4X	
	3 PLACES ± ±		2 PLACES ± 0.13 ±		CHK'D BY		DATE		PRODUCT CUSTOMER DRAWING				
	1 PLACES ± 0.25 ±		0 PLACES ± ±		APPR BY MBANAKIS		DATE 2015/11/09					SERIES 171983	MATERIAL NUMBER SEE CHART
	ANGULAR TOL = 0.5		DRAFT WHERE APPLICABLE MUST REMAIN WITHIN DIMENSIONS		DRAWING SIZE C		THIRD ANGLE PROJECTION		DOCUMENT NUMBER SD-171983-1000			DOC TYPE PSD	DOC PART 001

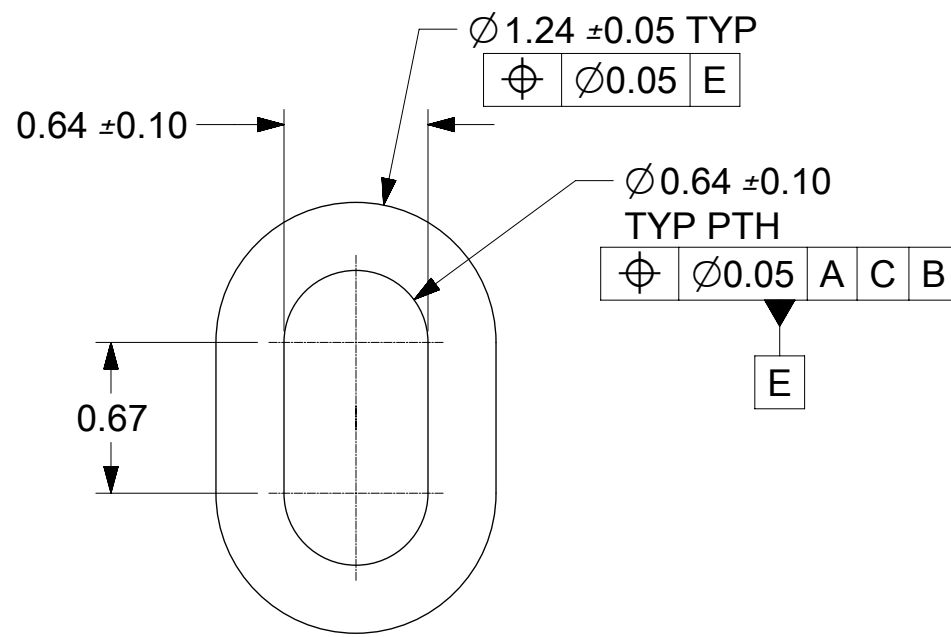
42 CIRCUIT COMMON TAIL/XD RECOMMENDED FOOTPRINT



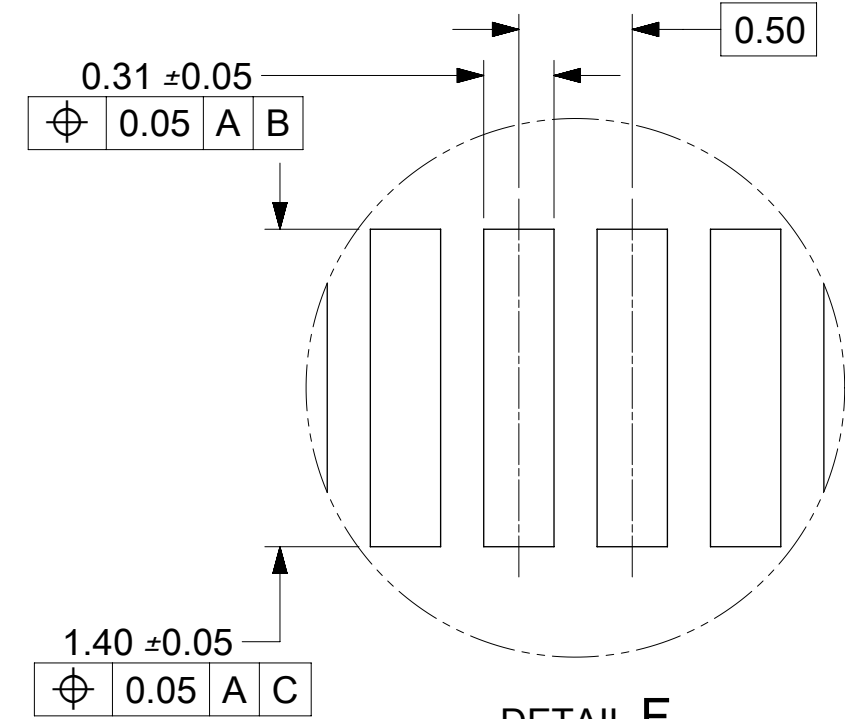
Ø 1.00 ±0.10 TYP
2X NPTH
⊕ Ø0.1 A C B



DETAIL D
SCALE 30:1



DETAIL E
SCALE 30:1

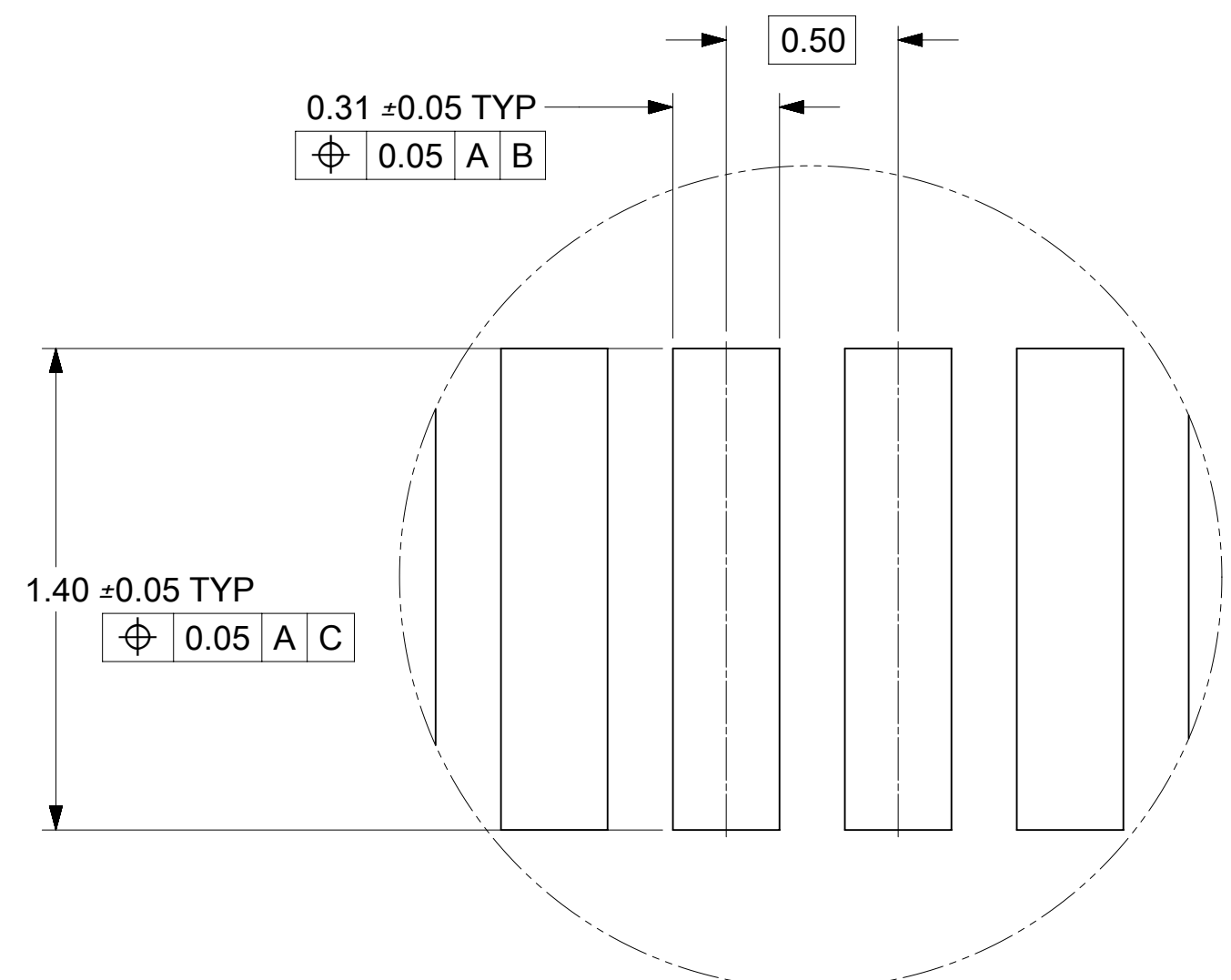
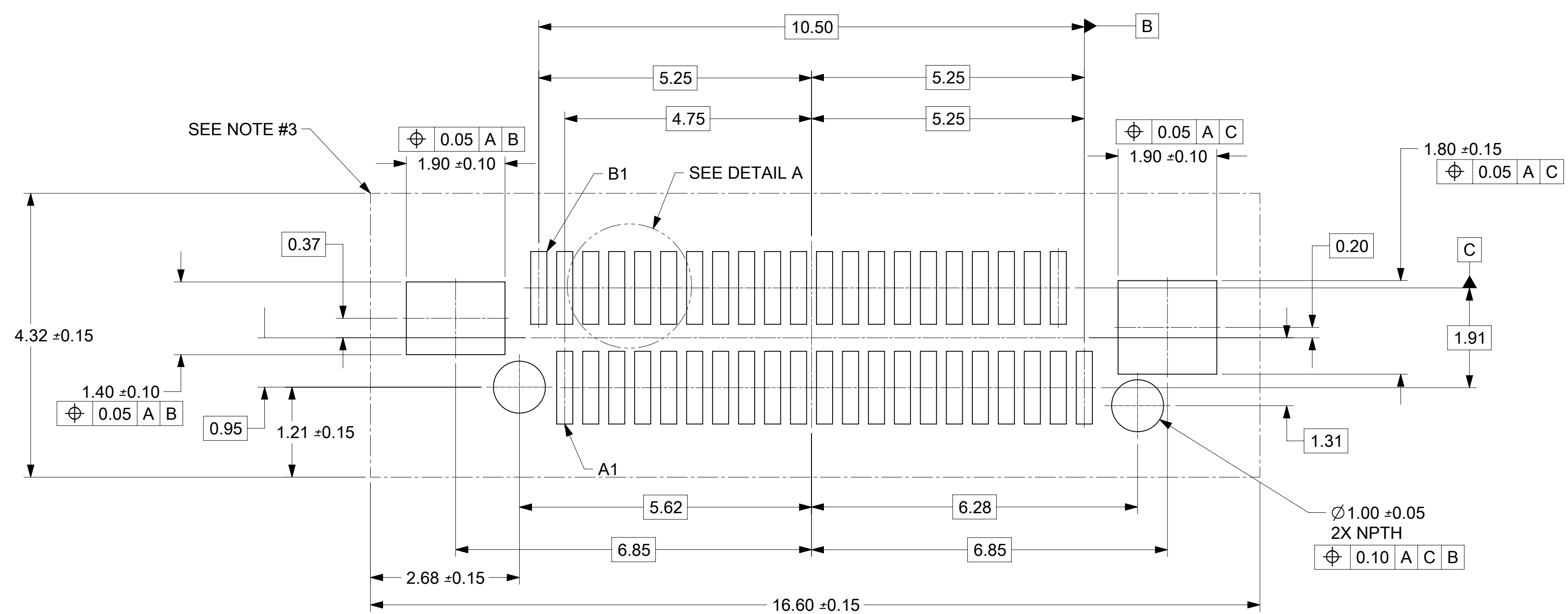


DETAIL F
SCALE 30:1

- NOTES:
1. MINIMUM RECOMMENDED SPACING BETWEEN ADJACENT CONNECTOR IS 19.05mm
 2. MINIMUM RECOMMENDED PCB THICKNESS: 1.57mm
 3. CONNECTOR KEEP OUT AREA
 4. DATUM -A- ESTABLISHED FROM TOP SURFACE OF PCB
 5. COMMON FOOTPRINT SHOWN FOR XD ONLY PATTERN USE ONLY PTH DENOTED "Y" FOR TH ONLY PATTERN USE ONLY PTH DENOTED "X"

THIS DRAWING CONTAINS INFORMATION THAT IS PROPRIETARY TO MOLEX ELECTRONIC TECHNOLOGIES, LLC AND SHOULD NOT BE USED WITHOUT WRITTEN PERMISSION											
MIGRATED TO NX EC NO: 176155 DRWN: CCHEN103 CHKD: JKACHLIC REV / APPR: JKACHLIC	GENERAL TOLERANCES (UNLESS SPECIFIED)		DIMENSION UNITS		SCALE						
			MM		15:1					NANO PITCH I/O VERTICAL 4X	
			MM		INCH		PRODUCT CUSTOMER DRAWING				
	4 PLACES ±		±		DRWN BY					DATE	
	3 PLACES ±		±		MJANTELEZIO		2015/10/22		171983	SEE CHART	GENERAL MARKET
2 PLACES ±		0.13 ±		CHK'D BY		DATE		DOCUMENT NUMBER			
1 PLACES ±		0.25 ±		APPR BY		DATE		SD-171983-1000			
0 PLACES ±		±		MBANAKIS		2015/11/09		PSD	001	SHEET NUMBER	
ANGULAR TOL = 0.5		C		DRAWING SIZE		THIRD ANGLE PROJECTION		6 OF 7			
DRAFT WHERE APPLICABLE MUST REMAIN WITHIN DIMENSIONS											

42 CIRCUIT SMT RECOMMENDED FOOTPRINT



DETAIL A
SCALE 50:1

- NOTES:
1. MINIMUM RECOMMENDED SPACING BETWEEN ADJACENT CONNECTORS IS 19.05mm
 2. MINIMUM RECOMMENDED PCB THICKNESS: 1.57mm
 3. CONNECTOR KEEP OUT AREA
 4. DATUM -A- ESTABLISHED FROM TOP SURFACE OF PCB

THIS DRAWING CONTAINS INFORMATION THAT IS PROPRIETARY TO MOLEX ELECTRONIC TECHNOLOGIES, LLC AND SHOULD NOT BE USED WITHOUT WRITTEN PERMISSION											
MIGRATED TO NX	2018/05/24	2018/05/31	2018/05/31	GENERAL TOLERANCES (UNLESS SPECIFIED)		DIMENSION UNITS	SCALE				
	2018/05/24	2018/05/31	2018/05/31	MM	INCH	MM	15:1				
	EC NO: 176155	DRWN: CCHEN103	CHKD: JKACHLIC	4 PLACES	±	±	DRWN BY	DATE	NANO PITCH I/O VERTICAL 4X		
				3 PLACES	±	±	MJANTELEZIO	2015/10/22			
				2 PLACES	±	0.13	±	CHK'D BY	DATE	PRODUCT CUSTOMER DRAWING	
			1 PLACES	±	0.25	±	APPR BY	DATE			
			0 PLACES	±	±		MBANAKIS	2015/11/09	SERIES	MATERIAL NUMBER	CUSTOMER
			ANGULAR TOL = 0.5			DRAWING SIZE	THIRD ANGLE PROJECTION	171983	SEE CHART	GENERAL MARKET	
			DRAFT WHERE APPLICABLE MUST REMAIN WITHIN DIMENSIONS			C		DOCUMENT NUMBER	DOC TYPE	DOC PART	SHEET NUMBER
K								SD-171983-1000	PSD	001	7 OF 7