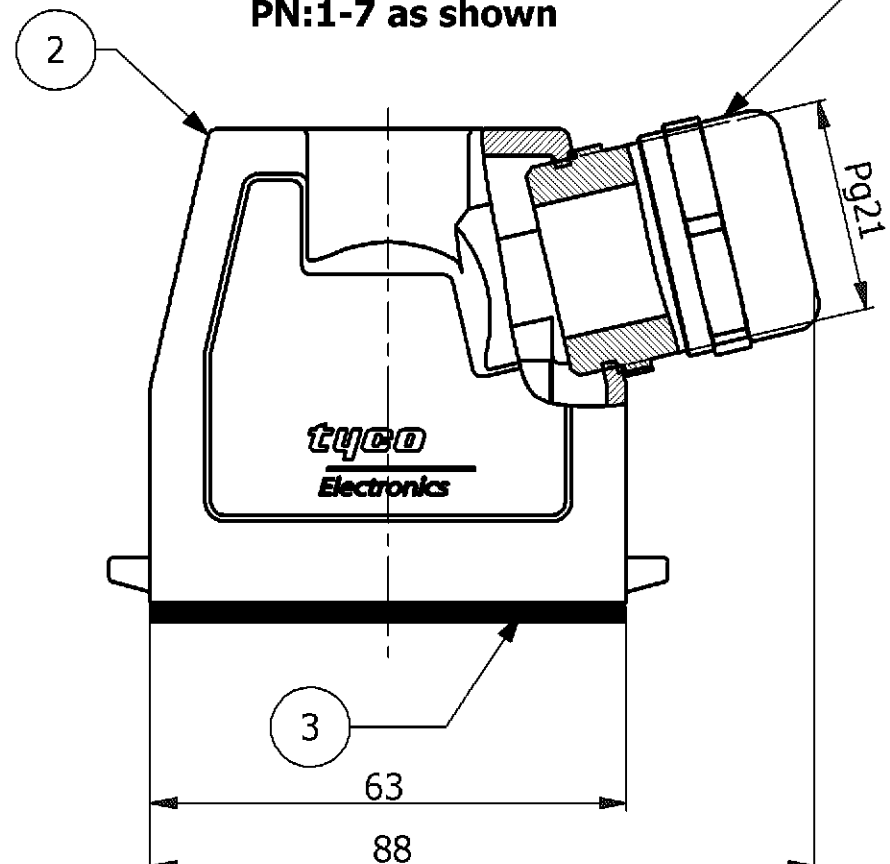
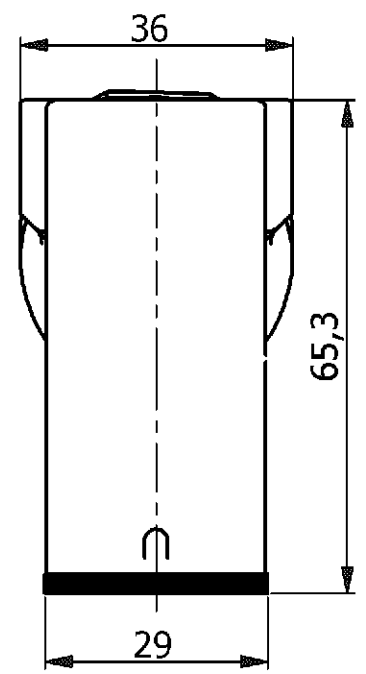


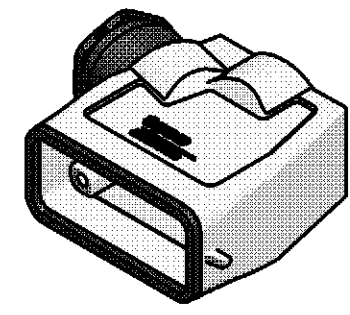
PN:1-7 as shown



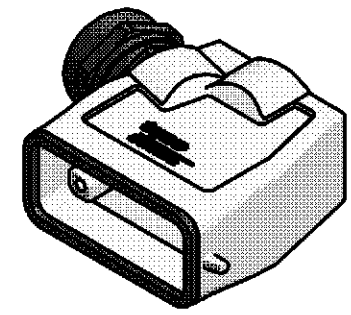
PN:2-7 as shown

NOTES

- 1 PACKAGING QUANTITY: 5 PIECES PER BOX
- 2 MATERIAL:HOUSING:ALUMINIUM DIE CAST ALLOY
SEALS:NEPORENE
- 3 SURFACE:VARNISH GREY
ALUMINIUM OXIDE +
VARNISH BLACK
- 4 VARNISH ON THE INSIDE NOT NECESSARY



PN:1-7
Ordering Text:
HD.15.STS.1.21



PN:2-7
Ordering Text:
HD-K.15.STS.1.21

1	-	Gland fitting	Brass	Nickel Plated	Blue	5	Pg 21
-	1	Cable fitting Round	Brass	Nickel Plated	Blue	4	Pg 21
1	1	Profile seal	Neoprene	-	Black	3	-
1	-	Hood	Aluminium	Aluminium oxide	Black	2	-
-	1	Hood	Aluminium	-	Grey	1	-
2-7	1-7	DESCRIPTION	MATERIAL	SURFACE	COLOR	ITEM NO.	REMARKS

THIS DRAWING IS A CONTROLLED DOCUMENT FOR AMP INCORPORATED. IT IS SUBJECT TO CHANGE AND THE CONTROLLING ENGINEERING ORGANIZATION SHOULD BE CONTACTED FOR THE LATEST REVISION. DIESSES ZEICHNUNGSDOKUMENT WIRD DURCH AMP INCORPORATED KONTROLLIERT. ÄNDERUNGEN, DIE DEM TECHNISCHEN FORTSCHRITT DIENEN, SIND VORBEHALTEN. DEN JEWEILS LETZTIGELTIGEN ÄNDERUNGSSTAND ERFAHREN SIE AUF ANFRAGE.		DWN	4/20/2006	tyco Electronics	Tyco / Electronics AMP GmbH D - 53819 Neunkirchen	
DIMENSIONS: DIMENSIONEN: mm		CHK	4/20/2006			
TOLERANCES UNLESS OTHERWISE SPECIFIED: ALLGEMEINTOLERANZEN n. ISO 8015 - # n. ISO 2768 - mH-E # n. DIN 16901-140 # 0 PLC # 1 PLC # 2 PLC # 3 PLC # ANGLES / WINKEL #		APVD	4/20/2006	NAME HOOD HD.15.STS.1.21		
		PRODUCT SPEC. PRODUKTSPEZ. 108-74001;-74003				
MATERIAL		APPLICATION SPEC. VERARBEITUNGSSPEZ. 114-74004		SIZE	CAGE CODE	RESTRICTED TO NUR FUER
		FINISH / OBERFLAECHE / FARBE		WEIGHT GEWICHT	A3	00779
2		3		CUSTOMER DRAWING / KUNDENZEICHNUNG		
				SCALE MASSSTAB	1:1	SHEET BLATT
				1 OF VON	1	REV. B1

AMP 1471-9 REV 27JUN96