

4

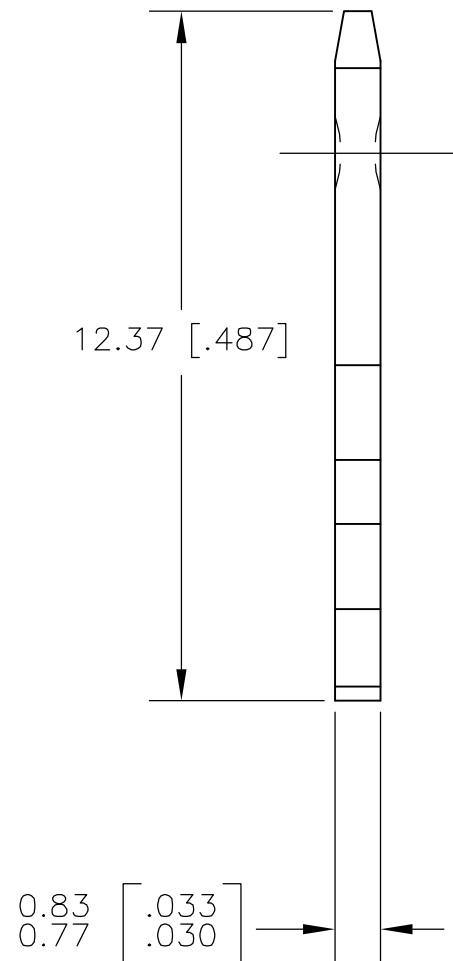
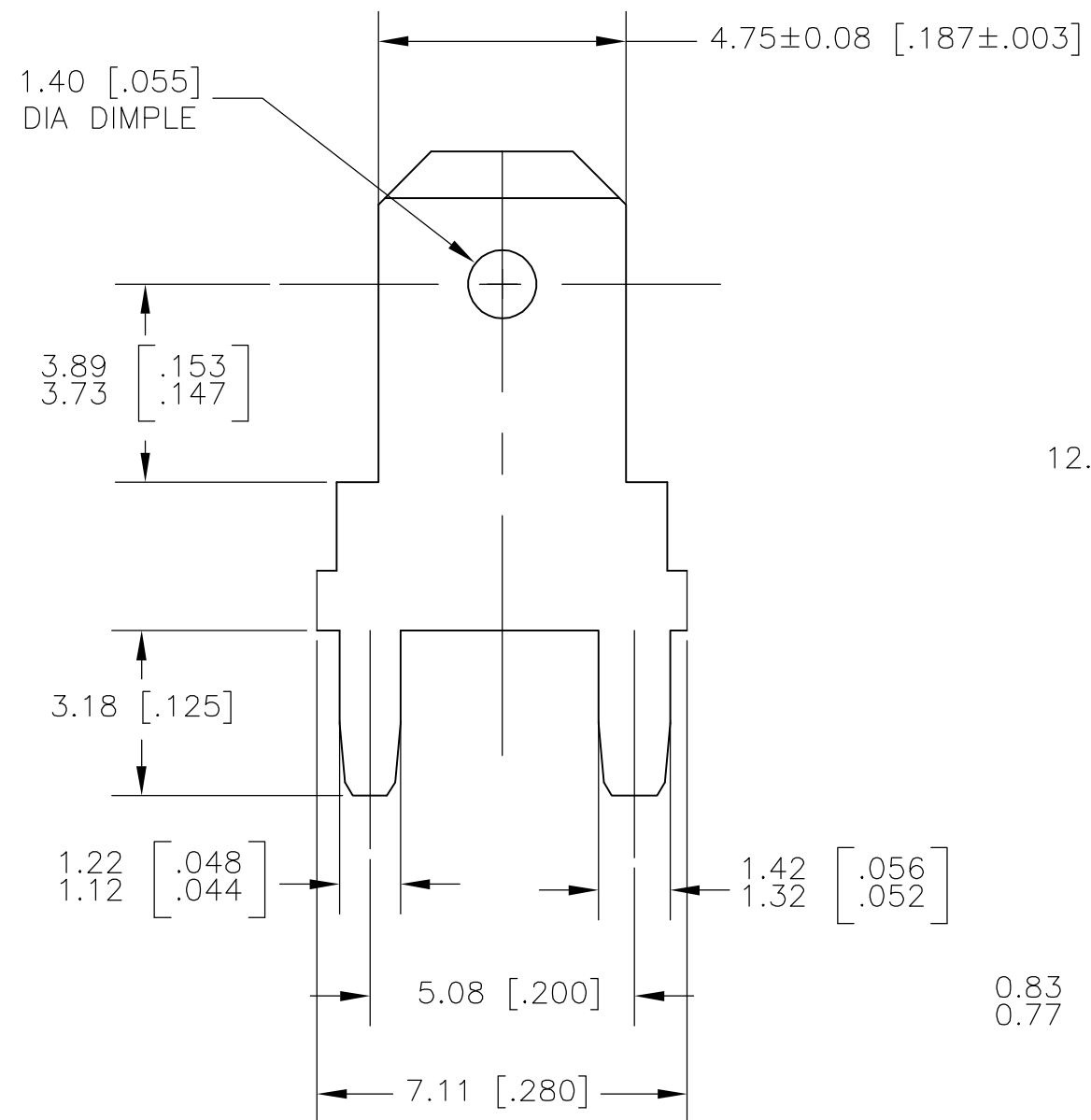
3

2

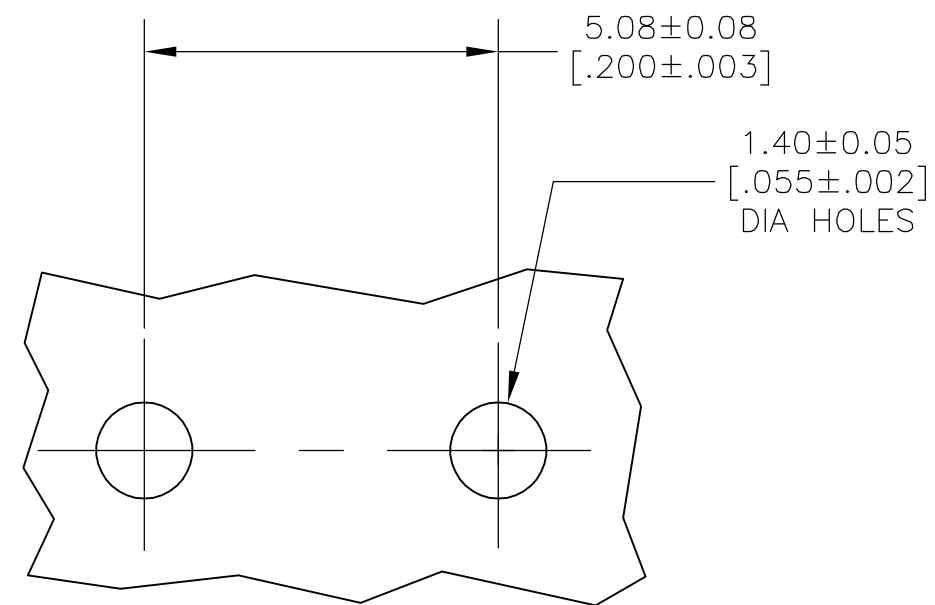
1

THIS DRAWING IS UNPUBLISHED. RELEASED FOR PUBLICATION
 © COPYRIGHT BY TYCO ELECTRONICS CORPORATION. ALL RIGHTS RESERVED.

LOC	DIST	REVISIONS					
AF	50	P	LTR	DESCRIPTION	DATE	DWN	APVD
		C		REV PER ECR-05-017407	11APR06	HMR	KR



1 SUPPLIED IN LOOSE PIECE
 2 0.00381 [.000150] MIN TIN OVER
 0.00254 [.000100] MIN THK COPPER.



P.C. BOARD HOLES
 SCALE 10:1

1217057-1
 PART NUMBER

THIS DRAWING IS A CONTROLLED DOCUMENT.		DWN	JR RUTH	20MAR01	tyco Electronics	Tyco Electronics Corporation	
DIMENSIONS: mm [INCHES]		CHK	MS FEHER	20MAR01		Harrisburg, PA 17105-3608	
TOLERANCES UNLESS OTHERWISE SPECIFIED:		APVD	N DEIBERT	20MAR01	NAME		
0 PLC ± -		PRODUCT SPEC		TAB, FASTON,			
1 PLC ± -		APPLICATION SPEC		PC BOARD,			
2 PLC ± 0.25 [.010]		WEIGHT		4.75 [.187] SERIES			
3 PLC ± -		SIZE		A3	CAGE CODE	DRAWING NO	RESTRICTED TO
4 PLC ± -		MATERIAL		A300779		C=1217057	-
ANGLES ± -		FINISH		CUSTOMER DRAWING		SCALE	SHEET
082 BRASS		TIN OVER COPPER		8:1		1 OF 1	REV
							C