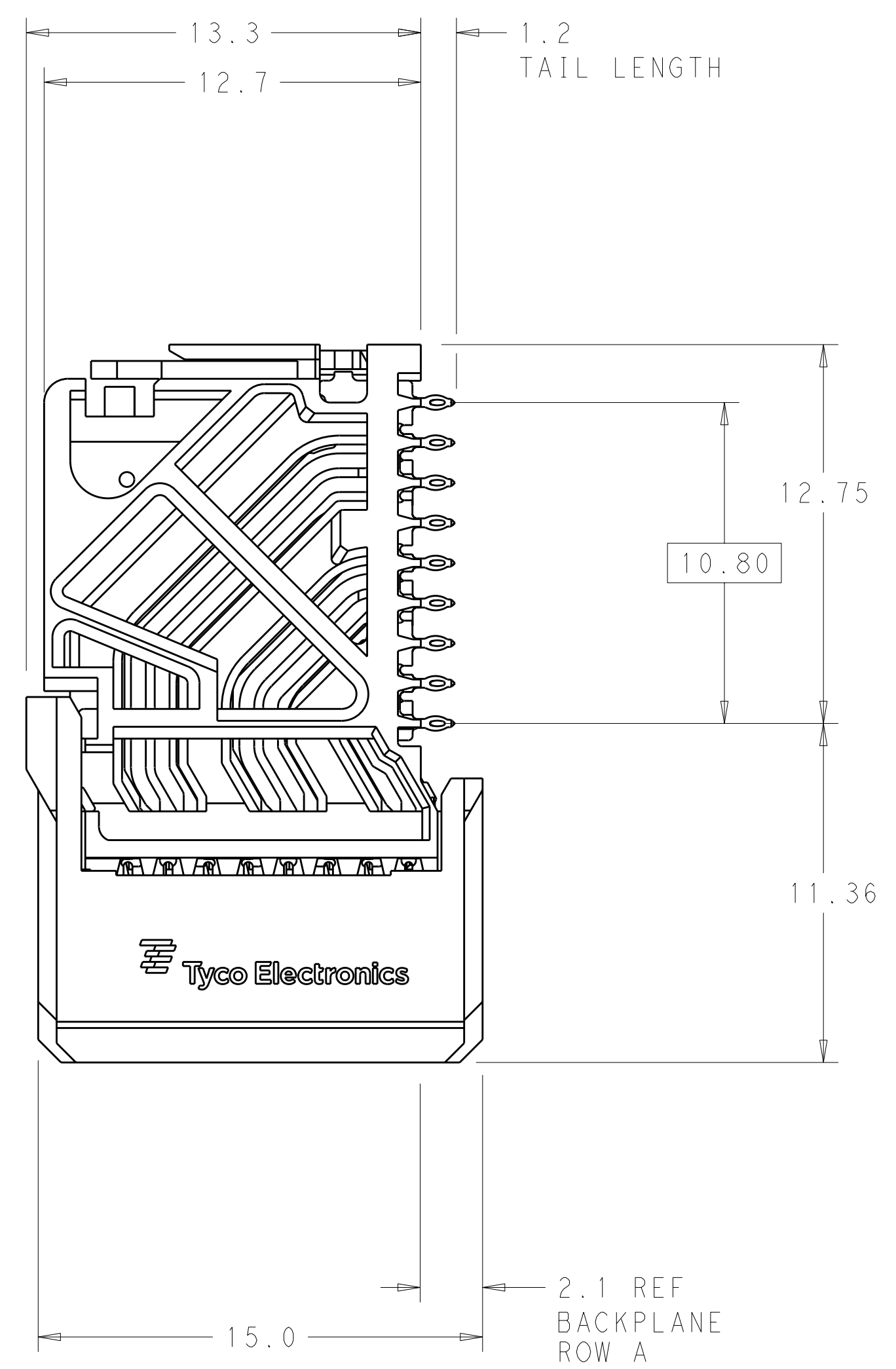
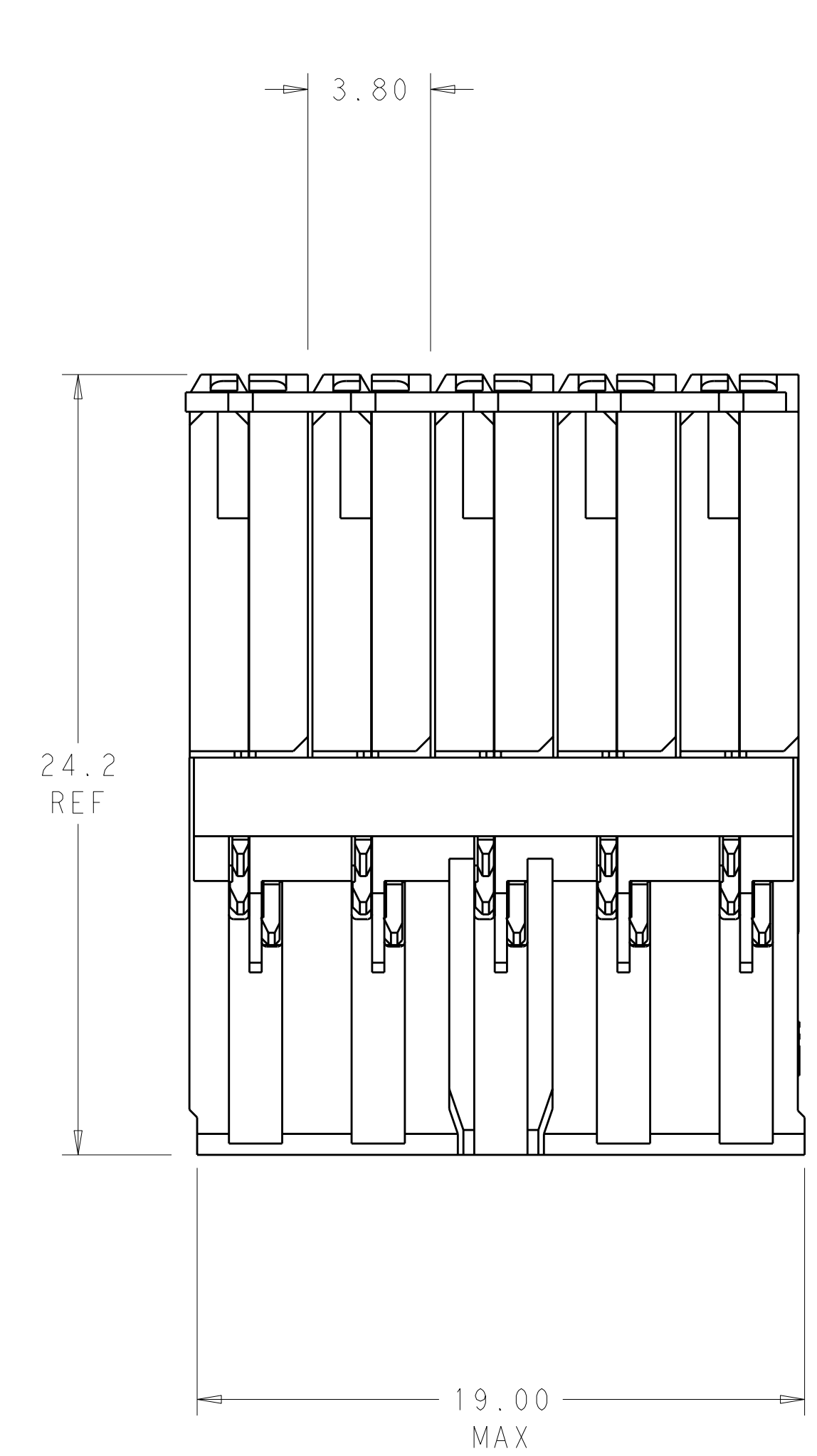
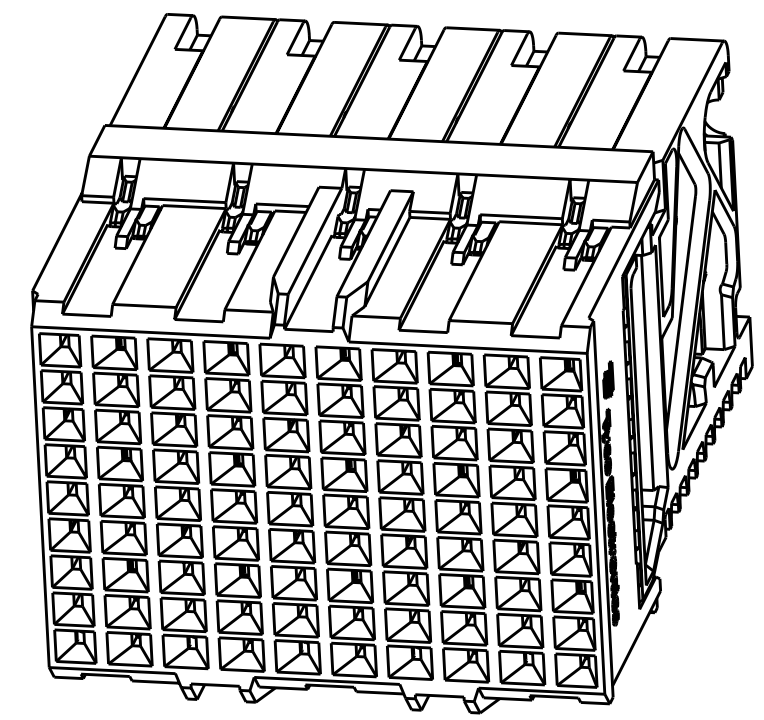


LOC	DIST	REV	DATE	BY	APPD
AD	00	G	13JAN2012	KH	DD

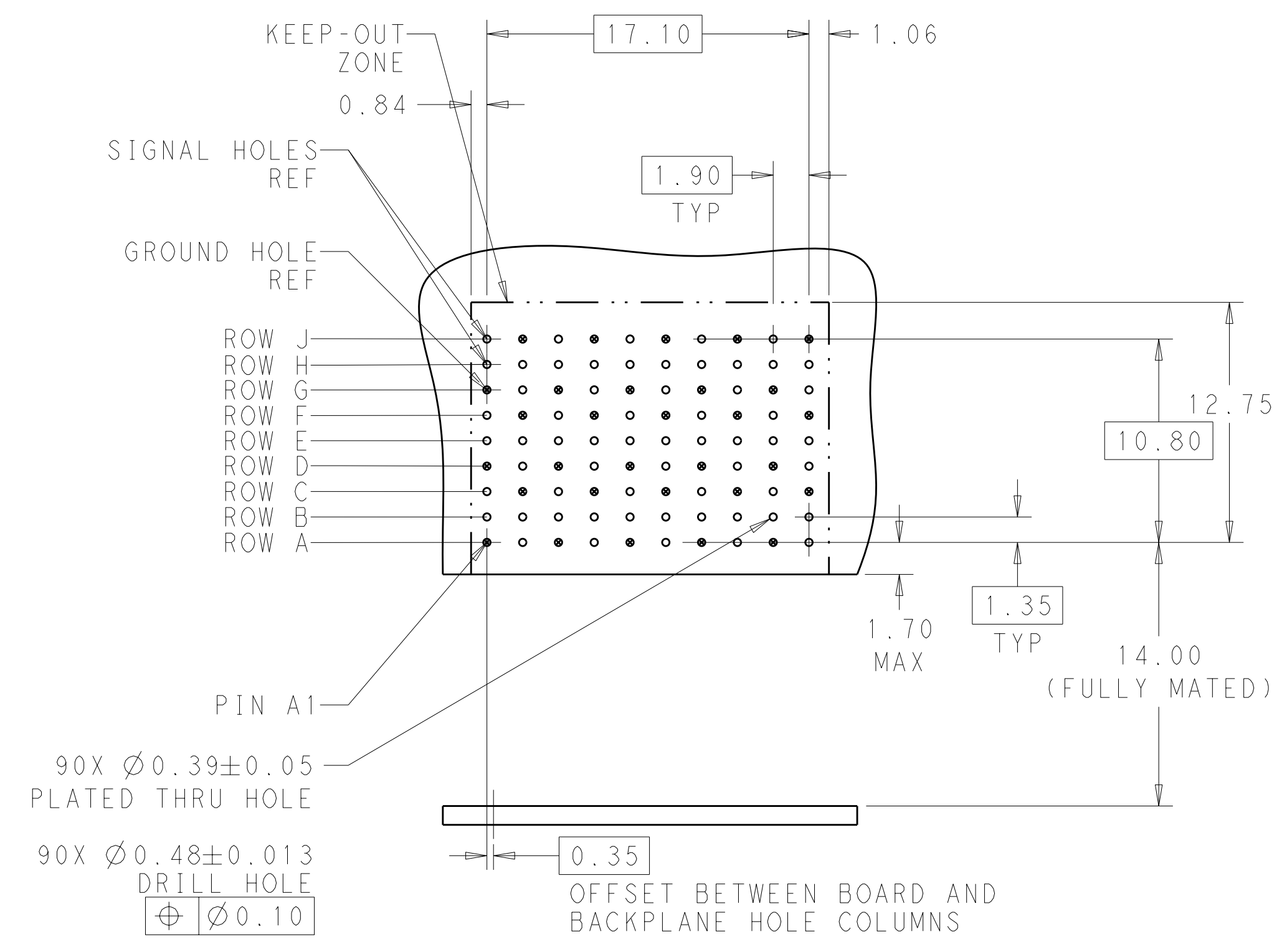
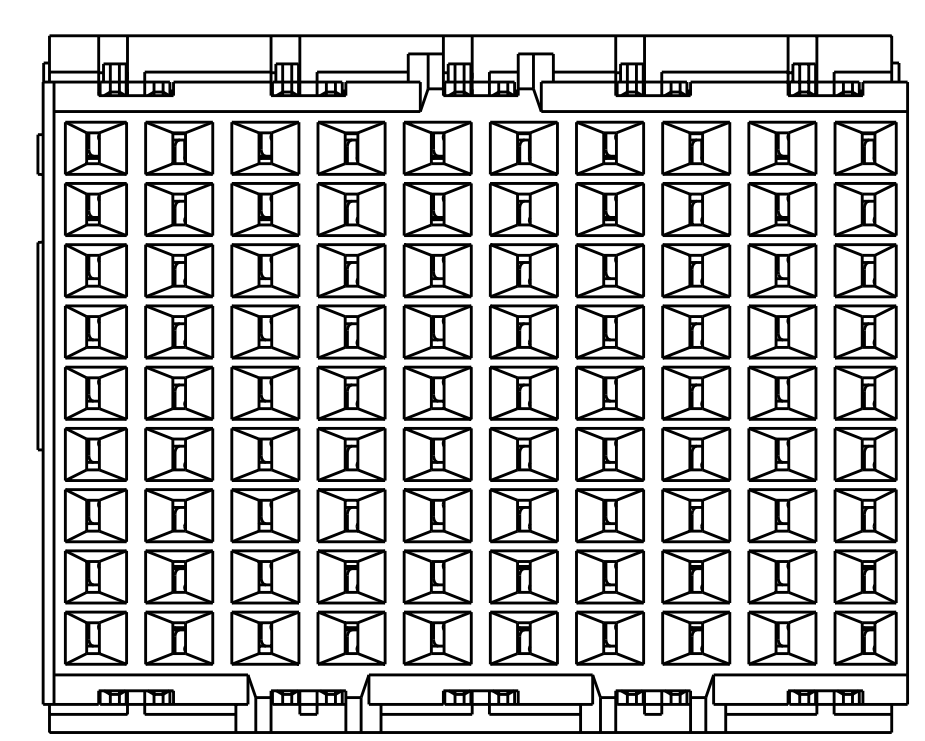


- 1 MATERIAL:
HOUSING: LCP, GLASS FILLED, UL94V-0.
TERMINALS: HIGH PERFORMANCE COPPER ALLOY.
- 2 FINISH:
30 μ" SELECTIVE GOLD IN CONTACT AREA. SELECTIVE TIN ON PCB TAILS, NICKEL OVERALL.
- 3 FINISH:
30 μ" SELECTIVE GOLD IN CONTACT AREA. SELECTIVE TIN-LEAD ON PCB TAILS, NICKEL OVERALL.



SCALE 4:1

REFER TO WWW.TE.COM FOR PRODUCT AVAILABILITY



RECOMMENDED PCB LAYOUT
 MIN BOARD THICKNESS 1.0

NONE	3	2007705-5
NONE	2	2007705-1
KEY POSITION	FINISH	PART NUMBER

THIS DRAWING IS A CONTROLLED DOCUMENT.		DWN 10FEB2011	TE Connectivity	
DIMENSIONS: mm		CHK D. DIXON 10FEB2011	NAME IMPACT, 3 PAIR, DAUGHTERCARD 10 COLUMN, UNGUIDED, SIGNAL MODULE, 0.39 EYELET	
TOLERANCES UNLESS OTHERWISE SPECIFIED:		APPD D. DIXON 10FEB2011	PRODUCT SPEC	
9 PLC ±		APPLICATION SPEC		
1 PLC ±0.2		SIZE CAGE CODE DRAWING NO RESTRICTED TO		
3 PLC ±0.13		A100779C=2007705		
5 PLC ±		SCALE 6:1 SHEET 1 OF 1 REV G		
4 PLC ±		CUSTOMER DRAWING		
ANGLES ±				
FINISH SEE TABLE				