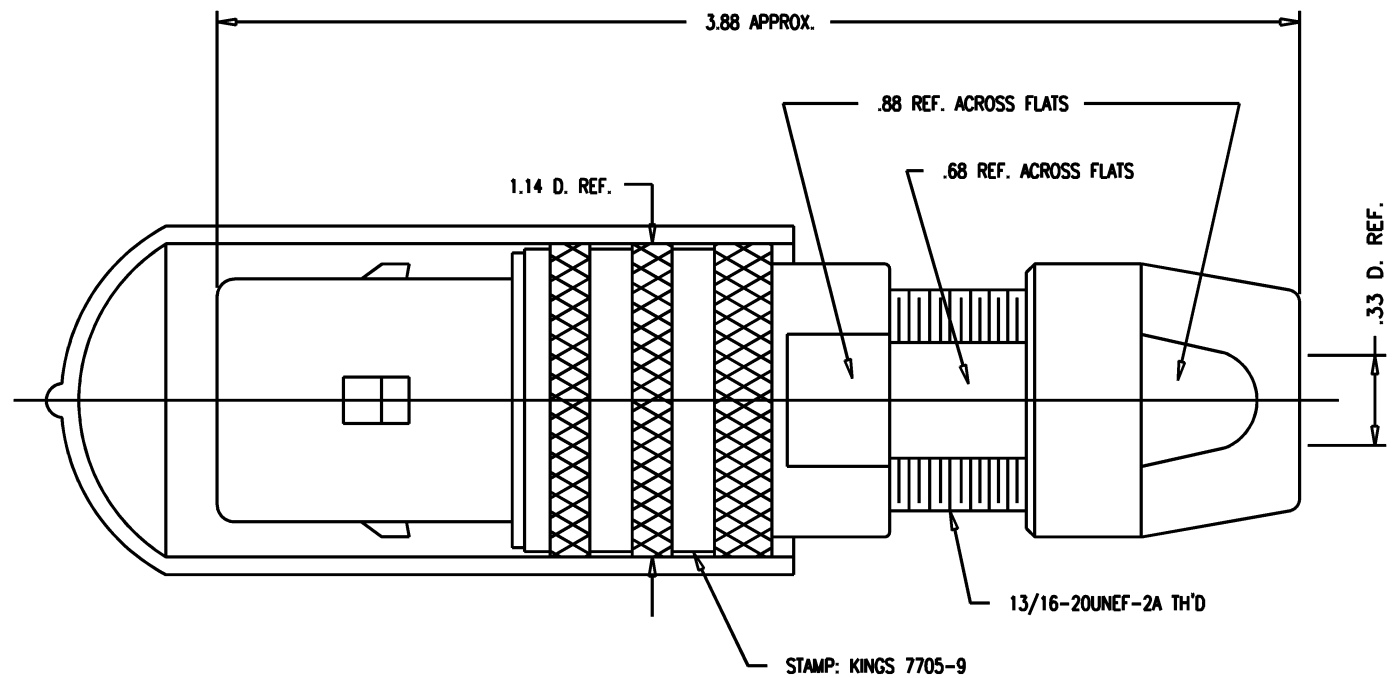


DASH NO.	M CODE	MADE FROM
----------	--------	-----------

# GSD

7705-9

REVISIONS	
ISSUE	CHANGES
0	ER 37272 KH 02/27/97
1	CN 39576 E AM 08/14/06



**NOTES:**

- FOR USE WITH 760 CABLE GROUP.
- FOR CABLING INSTRUCTIONS SEE KAI-8010.
- FOR CRIMPING USE KTH-1000 AND KTH-2002.
- MATERIALS:  
 INSULATORS: TEFLON, ASTM-D-4894  
 CONDUCTIVE GASKET: CONSIL C 87-10004  
 GASKETS: SILICONE RUBBER, ZZ-R-765  
 K-GRIP SLEEVE: COM. BRONZE TUBE, ASTM-B-135  
 OUTER CONTACT: PHOSPHOR BRONZE, ASTM-B-103  
 FINGER BODY: BER. COPPER, ASTM-B-196  
 CENTER CONTACT TIP: DELRIN  
 CAP: VINYL  
 ALL OTHER METAL PARTS: BRASS, ASTM-B16
- FINISHES:  
 CENTER CONTACT: HARD GOLD PLATE, PER MIL-G-45204  
 NUT } KINGS TARNISH RESISTANT NICKEL FINISH (TR-5)  
 COLLET }  
 OUTER BODIES }  
 ALL OTHER METAL PARTS: SILVER PLATE, PER QQ-S-365
- ELECTRICAL CHARACTERISTICS:  
 NOMINAL IMPEDANCE: 75 OHMS  
 FREQUENCY RANGE: DC-500 MHZ  
 VOLTAGE BREAKDOWN: CENTER CONDUCTOR/INNER GROUND: 1500 VRMS  
 INNER GROUND/OUTER GROUND: 500 VRMS

SCALE 2:1	
APPROX SURFACE AREA	
USED ON	
REF: KP-8010-760-400	
PLUG, TRI-LOC (SERIAL DIGITAL)	
DRAWN KH	DATE 02/27/97
DESIGN LJ	DATE 02/27/97
APPR. FH	DATE 02/27/97
 ROCK HILL, SOUTH CAROLINA 29730	
7705-9	

# GSD