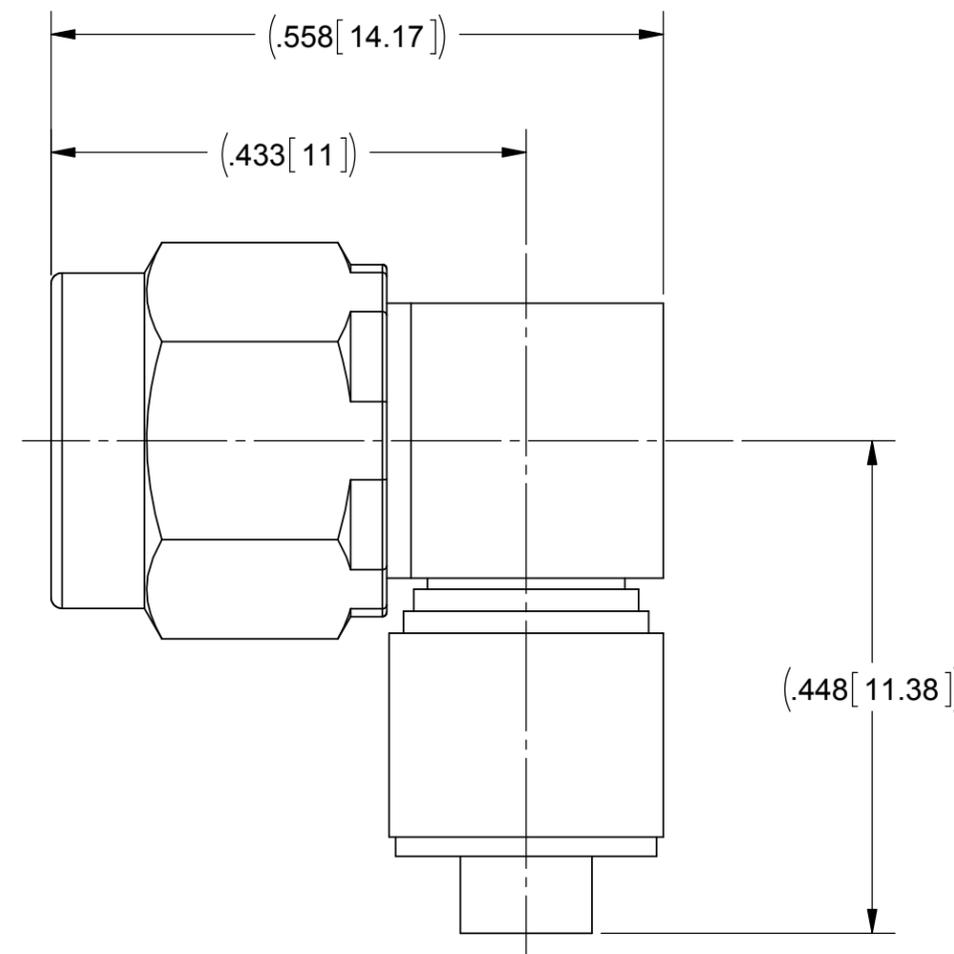
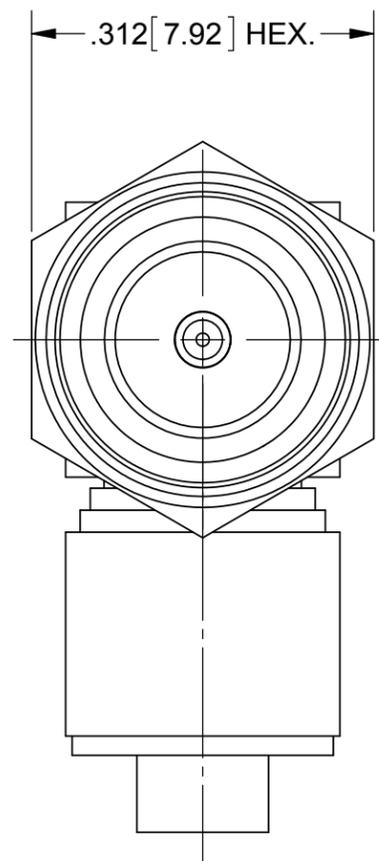


# PRODUCT DATA DRAWING

REVISION HISTORY			
REV	DESCRIPTION	DATE	APPROVED
B	DCN 40542	04/14	FSG



**MATERIAL:**

BODY,  
FERRULE &  
COUPLING NUT:

STAINLESS STEEL PER AMS-5640,  
ALLOY UNS S30300, TYPE 1

LOCK RING &  
CONTACT:

BERYLLIUM COPPER PER ASTM B196,  
ALLOY No. UNS C17300, TD04

INSULATORS:

PTFE PER ASTM D1710, TYPE I, GRADE 1, CLASS B

GASKET:

SILICONE RUBBER PER A-A-59588,  
CLASS 2B, GRADE 50/60

**FINISH:**

BODY &  
COUPLING NUT:

PASSIVATED PER AMS-2700.

CONTACT &  
FERRULE:

GOLD PER ASTM B488, TYPE II,  
CODE C, CLASS 0.76, OVER NICKEL  
PER AMS-QQ-N-290, CLASS 1, .00005" MIN.

**PERFORMANCE:**

IMPEDANCE:  
FREQ. RANGE:  
VSWR:

50 OHMS  
DC TO 18.0 GHz  
1.30:1 DC TO 18.0 GHz

MATERIAL: SEE NOTES	DIMENSIONS ARE IN INCHES TOLERANCES: FRACTIONAL: ±1/64 ANGULAR: X° ±1'0" X°X' ±15'	UNLESS OTHERWISE SPECIFIED 1) ALL DIMENSIONS ARE IN INCHES (MILLIMETERS) 2) ALL DIMENSIONS ARE AFTER PLATING. 3) BREAK CORNERS & EDGES .005 R. MAX. 4) CHAM. 1ST & LAST THREADS. 5) SURFACE ROUGHNESS 63-MIL-STD-10. 6) DIA. 'S ON COMMON CENTERS TO BE CONCENTRIC WITHIN .005 T.I.R. 7) REMOVE ALL BURRS	<b>SV Microwave, Inc.</b> 2400 Centrepark West Drive, Suite 100 West Palm Beach, FL 33409
FINISH: SEE NOTES	DECIMAL: X ±.030 .XX ±.010 .XXX ±.005	INTERPRET DIMENSIONS AND TOLERANCES PER ASME Y14.5M - 1994	TITLE: <b>SMA R/A PLUG FOR .086 S.R. CABLE</b>
SURFACE AREA: N/A	<b>PROPRIETARY</b> THE INFORMATION CONTAINED IN THIS DRAWING IS THE SOLE PROPERTY OF SV MICROWAVE, INC. ANY REPRODUCTION IN PART OR AS A WHOLE WITHOUT THE WRITTEN PERMISSION OF SV MICROWAVE, INC IS PROHIBITED.	THIRD ANGLE PROJECTION 	SIZE: <b>B</b> CAGE CODE: <b>95077</b> DWG. NO.: <b>SF2915-6605</b>
		DRAWN: NPD 12/01/80 CHECKED: APPROVED: RD 12/03/80	SCALE: 4:1 SHEET 1 OF 1