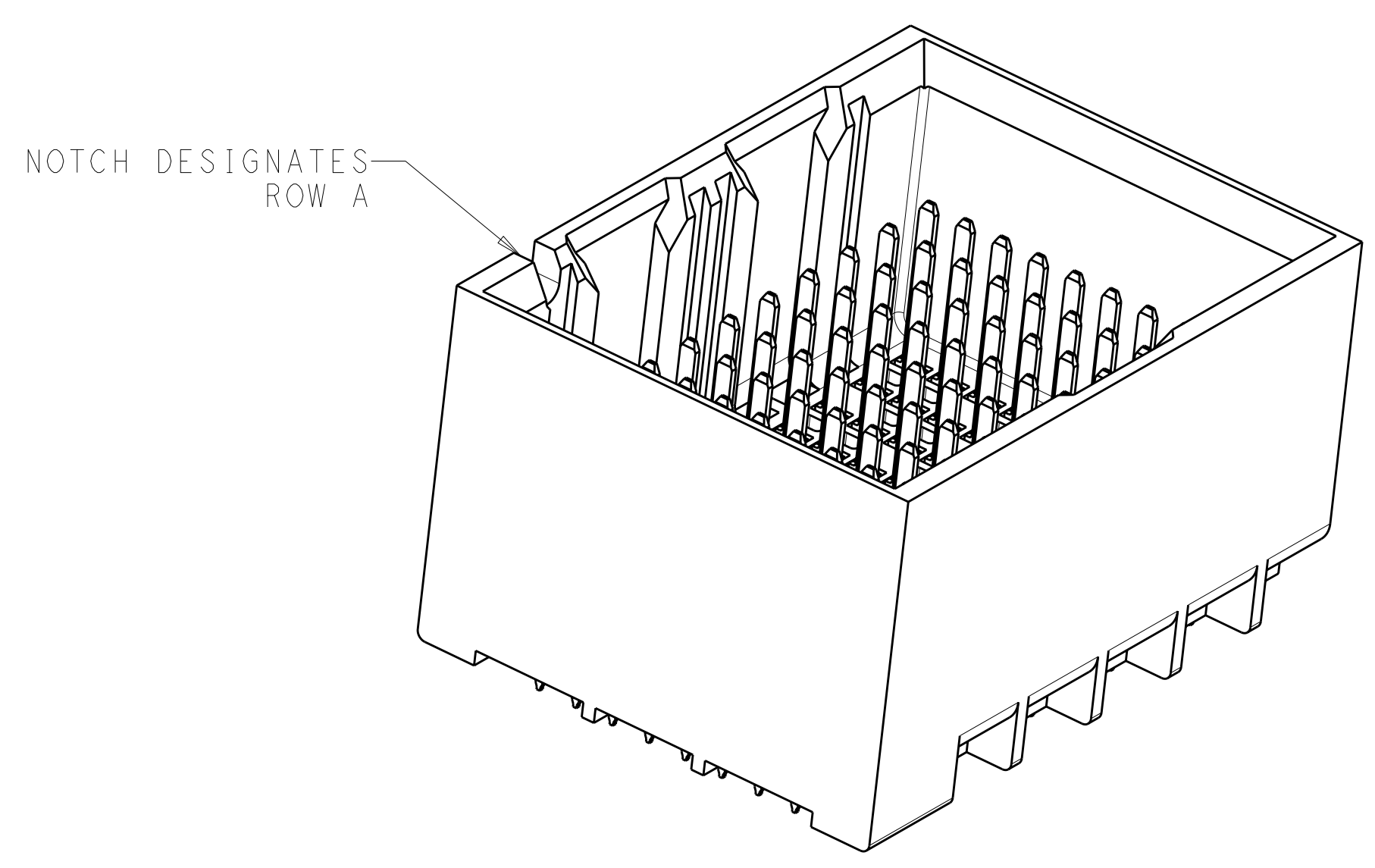
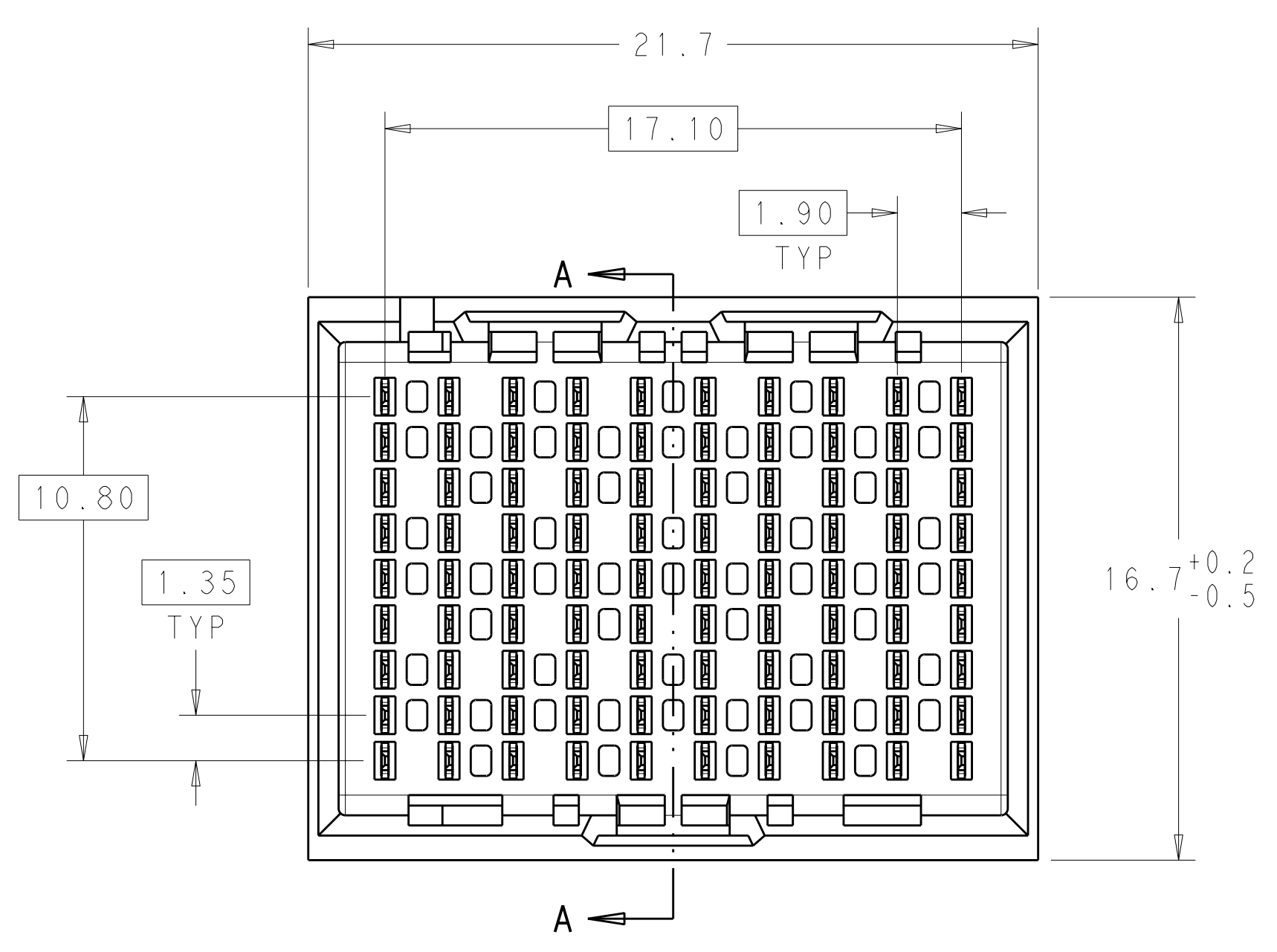


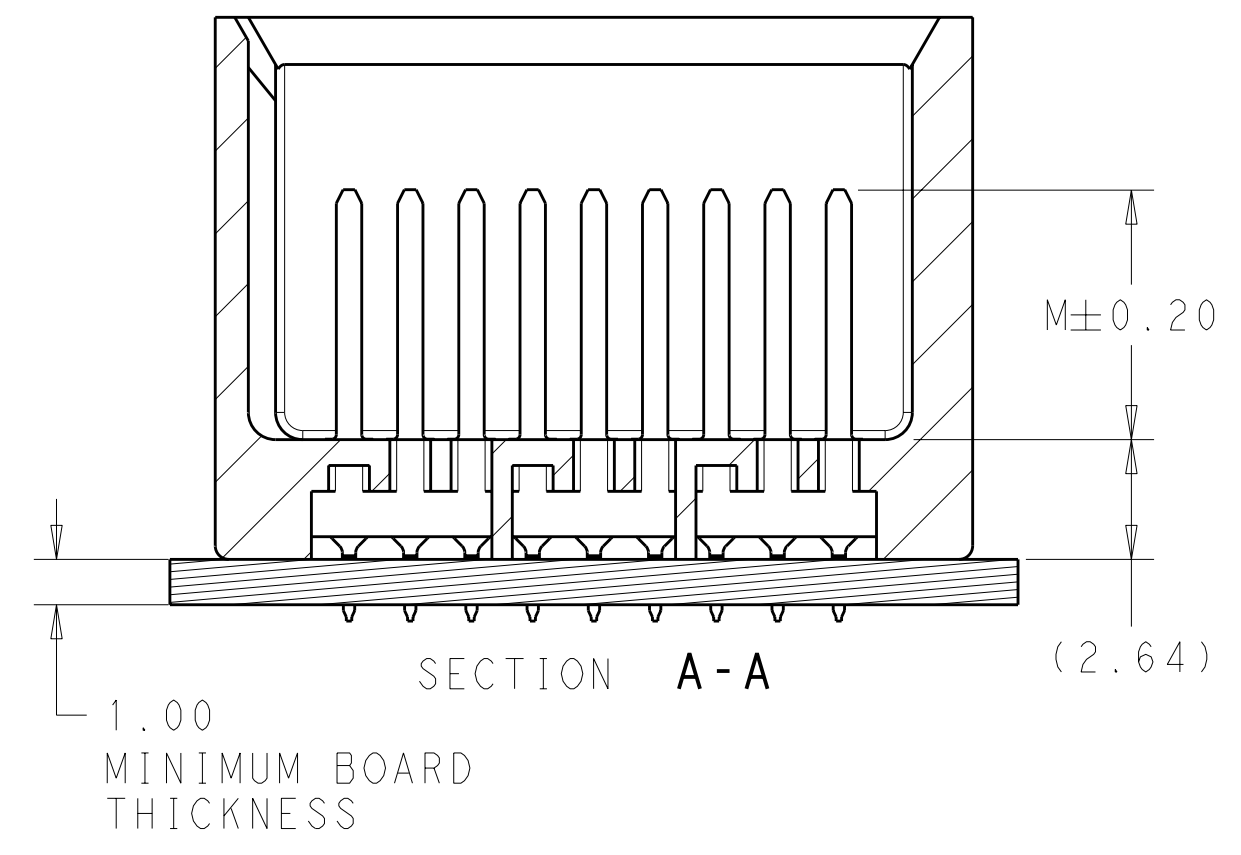
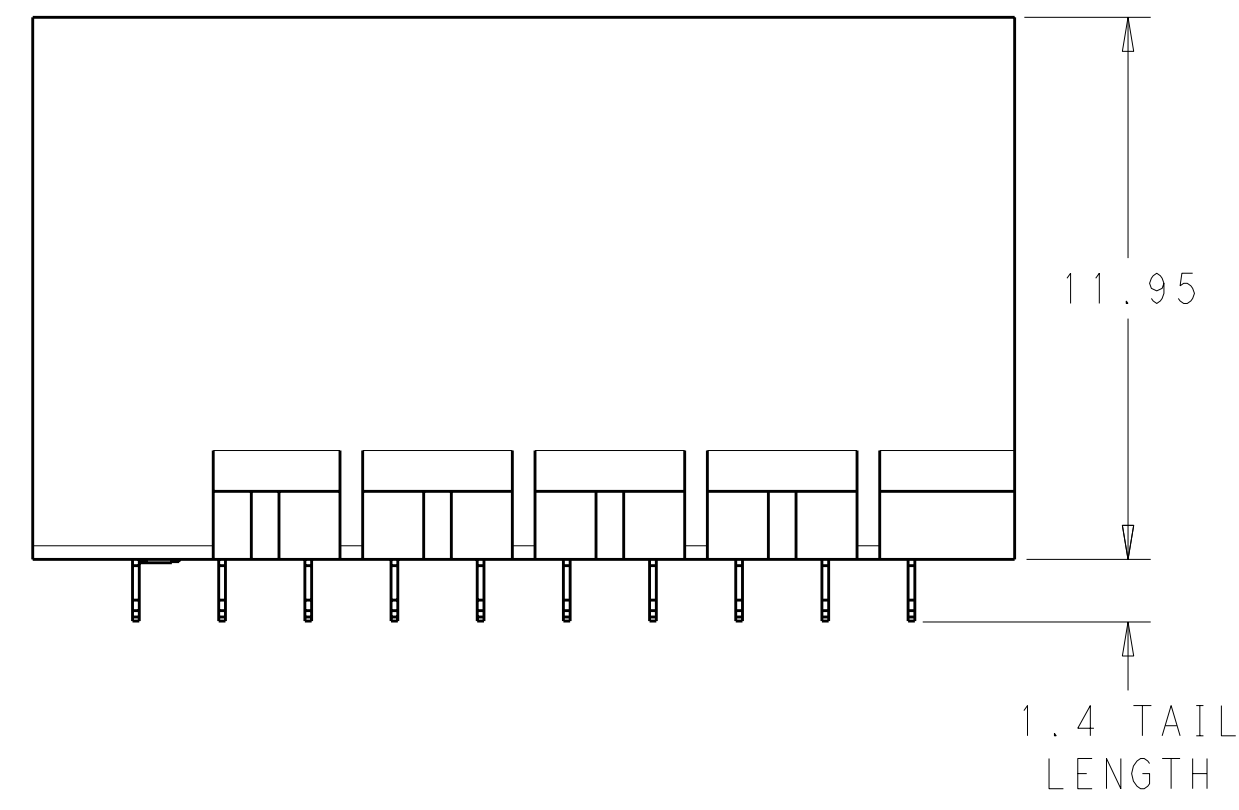
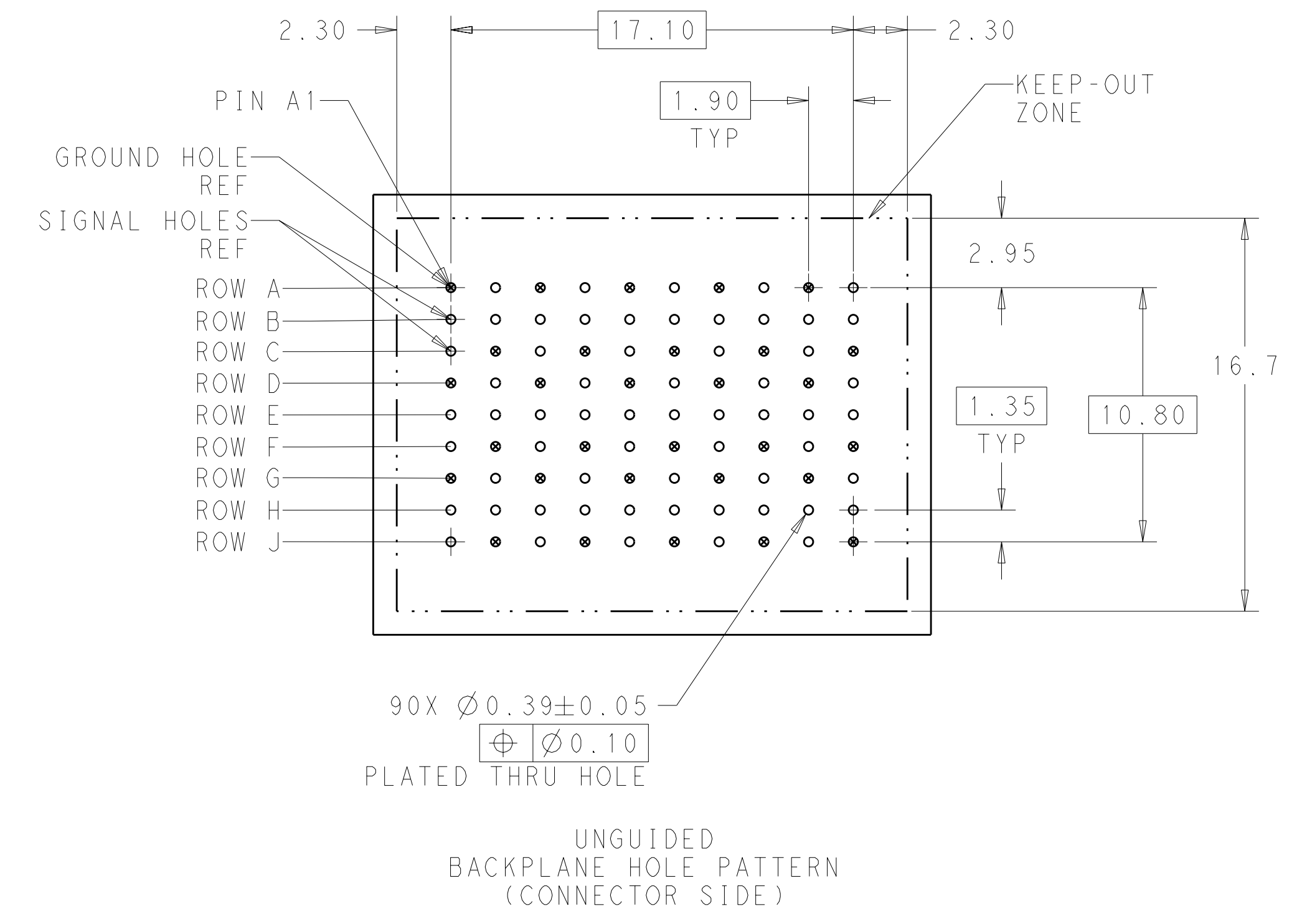
LOC	DIST	REV	DATE	BY	CHK	APPV
AD	00					

REVISIONS		DATE	BY	CHK	APPV
C	REVISED PER ECO-11-025276	22DEC11		KH	DY
D	REV PER ECO-12-002142	13FEB2012		BC	DY



- 1 MATERIAL:  
HOUSING: LCP, GLASS FILLED, UL94V-0.  
TERMINALS: HIGH PERFORMANCE COPPER ALLOY.
- 2 FINISH:  
30μ" MIN GOLD IN CONTACT AREA. SELECTIVE TIN ON PCB TAILS, NICKEL OVERALL.
- 3 FINISH:  
30μ" MIN GOLD IN CONTACT AREA. SELECTIVE TIN-LEAD ON PCB TAILS, NICKEL OVERALL.



THIS DRAWING IS A CONTROLLED DOCUMENT.		DWN J. K. SHOBER 22DEC11	TE Connectivity
DIMENSIONS: mm		CHK J. EBY 22DEC11	
TOLERANCES UNLESS OTHERWISE SPECIFIED:		APVD J. EBY 22DEC11	NAME: IMPACT, 3 PAIR, 10 COLUMN, HEADER UNGUIDED, DUAL END WALL SIGNAL MODULE, 0.39 PTH
0 PLC ± 1 PLC ±0.25 2 PLC ±0.13 3 PLC ± 4 PLC ± ANGLES ± FINISH SEE TABLE		PRODUCT SPEC APPLICATION SPEC WEIGHT CUSTOMER DRAWING	
MATERIAL		SIZE CAGE CODE DRAWING NO A100779C=2007790	RESTRICTED TO
		SCALE 6:1	SHEET 1 OF 2 REV D

THIS DRAWING IS UNPUBLISHED. RELEASED FOR PUBLICATION 20  
 © COPYRIGHT 20 . . . ALL RIGHTS RESERVED.

LOC	DIST	REVISIONS				
AD	00	P	LTG	DATE	DWN	APVD
		-	-	SEE SHEET 1	-	-

	5.5	2007790-6
	4.9	2007790-5
	4.5	2007790-4
	5.5	2007790-3
	4.9	2007790-2
	4.5	2007790-1
FINISH	DIM M	PART NUMBER

REFER TO WWW.TE.COM  
FOR PRODUCT AVAILABILITY

THIS DRAWING IS A CONTROLLED DOCUMENT.		DWN J. K. SHOBER	22DECT1		TE Connectivity
DIMENSIONS: mm		CHK J. EABY	22DECT1		NAME IMPACT, 3 PAIR, 10 COLUMN, HEADER UNGUIDED, DUAL END WALL SIGNAL MODULE, 0.39 PTH
TOLERANCES UNLESS OTHERWISE SPECIFIED: 9 PLC ± 7 PLC ±0.25 5 PLC ±0.13 4 PLC ± ANGLES ±		APVD J. EABY	22DECT1	PRODUCT SPEC	
MATERIAL -		APPLICATION SPEC		SIZE CAGE CODE DRAWING NO A100779C=2007790	
FINISH SEE TABLE		WEIGHT -		RESTRICTED TO -	
CUSTOMER DRAWING				SCALE	5:1 SHEET 2 OF 2 REV D