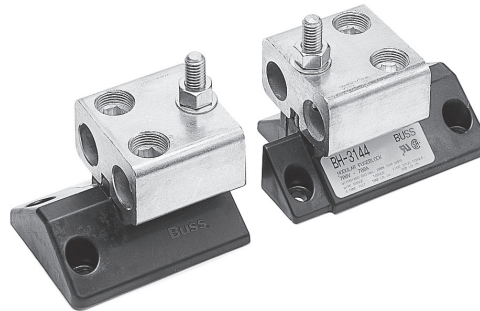


BH-3 modular fuse blocks, 700 V, 700 A

RoHS



Agency information

- UL® Recognized, Guide IZLT2, File E14853 up to 700 V
- CSA® Certified, Class 6225-01, File 47235 up to 700 V
- CE
- RoHS compliant

Materials

- Base - light-weight, high temperature thermoplastic
- Mounting studs - plated steel
- Washer - spring steel
- Nuts - plated steel
- Connector: tin-plated aluminum

Conductors — AWG Cu

- Connector accepts 6 - 250 kcmil

Catalog symbol:

- BH-3_

Description:

Bussmann™ series modular fuse blocks for bolt-on high speed, Class J (225-600 A), and 300 V and 600 V Class T (450-600 A) fuses. See mounting dimensions table for applicable Bussmann series fuse catalog numbers.

Specifications:

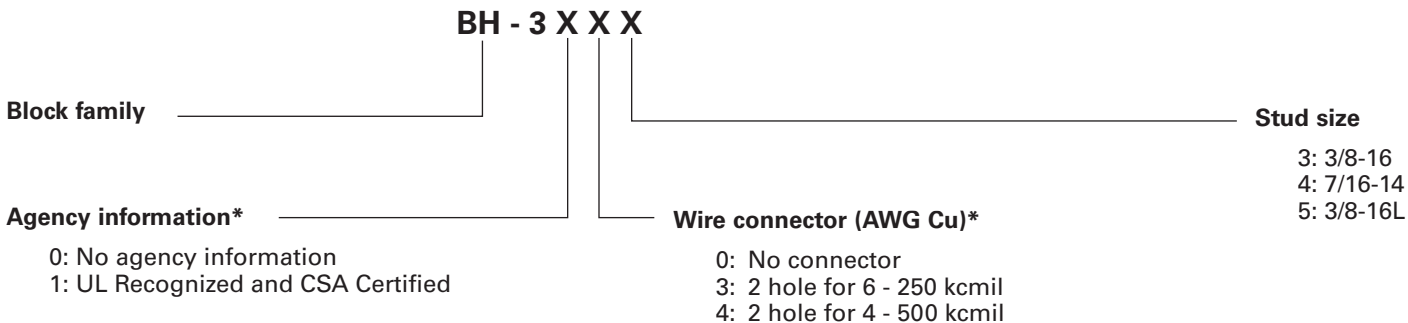
Ratings

- Volts - 700 V
- Amps - 700 A
- Withstand rating - 200 kA RMS Sym. or the applied fuse interrupting rating, whichever is less



Powering Business Worldwide

Catalog number build-a-code



Notes:

1. The #4 connector must be used with either the 7/16-14 or the 3/8-16L stud.
2. The only compatible connector for the 7/16-14 stud is #4.
3. Always check applicable end use standards for required spacing between blocks, fuses or other hardware.
4. For applications above 700 V, consult appropriate electrical standard for proper creepage distances, clearance distances and insulator voltage withstand ratings.

* Applicable only to BH-300_ configuration — no agency information, no connector.

Dimensions: — mm/in

See Table 1 for A, B and C dimensions per fuse catalog symbol/ampacity and block catalog number from Build-a-Code.

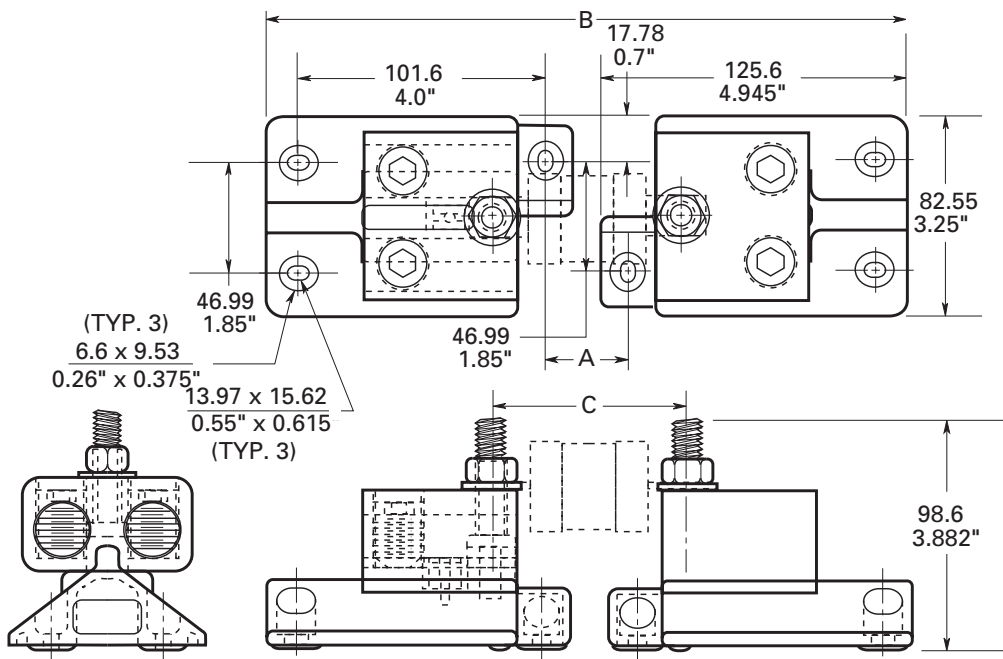


Table 1. Mounting dimensions - mm (in)

| Bussmann series fuse catalog symbol (amp range) | Fuse block cat. no. | Stud dia. (in) | Fuse volts | Dimensions — mm (in) | | |
|--|------------------------|----------------|------------|----------------------|-----------------|----------------|
| | | | | A | B | C |
| FBP_ (250-400) | BH-3144 | 7/16 | 700 | 59.46 (2.341) | 288.06 (11.341) | 102.39 (4.031) |
| FBP_ (450-600) | BH-3144 | 7/16 | 700 | 65.02 (2.56) | 293.62 (11.56) | 107.95 (4.25) |
| FWA_ (450-600) | BH-3145 | 3/8 | 150 | 20.57 (0.81) | 249.1 (79.81) | 63.50 (2.50) |
| FWH_ (450-600) | BH-3145 | 3/8 | 500 | 46.74 (1.84) | 275.34 (10.84) | 89.68 (3.53) |
| FWP_ (450-600) | BH-3144 | 7/16 | 700 | 102.36 (4.03) | 330.96 (13.03) | 145.29 (5.72) |
| FWX_ (350-600) | BH-3145 | 3/8 | 250 | 31.75 (1.25) | 260.35 (10.25) | 74.68 (2.94) |
| JUN_ (450-600) | BH-3144 | 7/16 | 300 | 8.66 (0.341) | 237.26 (9.341) | 51.59 (2.031) |
| JJS_ (450-600) | BH-3144 | 7/16 | 600 | 32.08 (1.263) | 260.68 (10.263) | 75.01 (2.953) |
| JKS_ (225-400) | BH-3145 | 3/8 | 600 | 90.42 (3.56) | 319.02 (12.56) | 133.35 (5.25) |
| JKS_ (450-600) | BH-3144 | 7/16 | 600 | 109.47 (4.31) | 338.07 (13.31) | 152.40 (6.00) |
| KAA_ (450-600) | BH-3145 | 3/8 | 130 | 18.97 (0.747) | 247.57 (9.747) | 61.90 (2.437) |
| KAB_ (450-600) | BH-3145 | 3/8 | 250 | 27.71 (1.091) | 256.31 (10.091) | 70.64 (2.781) |
| KAC_ (225-400) | BH-3144 | 7/16 | 600 | 77.72 (3.06) | 306.32 (12.06) | 120.65 (4.75) |
| KAC_ (425-600) | BH-3144 | 7/16 | 600 | 77.72 (3.06) | 306.32 (3.06) | 120.65 (4.75) |
| KAX_ (450-600) | BH-3145 | 3/8 | 250 | 27.71 (1.091) | 256.31 (10.091) | 70.64 (2.781) |
| KBC_ (450-600) | BH-3145 | 3/8 | 600 | 60.33 (2.372) | 288.85 (11.372) | 103.17 (4.062) |
| KBP_ (450-600) | BH-3144 | 7/16 | 700 | 86.44 (3.403) | 315.04 (12.403) | 129.36 (5.093) |
| LPJ_ (225-400) | BH-3145 | 3/8 | 600 | 90.42 (3.56) | 319.02 (12.56) | 133.35 (5.25) |
| LPJ_ (450-600) | BH-3144 | 7/16 | 600 | 109.47 (4.31) | 338.07 (13.31) | 152.40 (6.00) |
| SPJ-5B_ (200-400) | BH-3144 | 7/16 | 1000 | 82.83 (3.261) | 262.15 (10.321) | 127.79 (5.031) |
| SPJ-5E_ (200-400) | BH-3144 | 7/16 | 1000 | 82.83 (3.261) | 262.15 (10.321) | 127.79 (5.031) |
| SPJ-6B_ (300-600) | BH-3144 | 7/16 | 1000 | 84.86 (3.341) | 313.46 (12.341) | 127.79 (5.031) |
| SPJ-6E_ (300-600) | BH-3144 | 7/16 | 1000 | 84.86 (3.341) | 313.46 (12.341) | 127.79 (5.031) |
| SPP-5B_ (225-600) | BH-3144 | 7/16 | 700 | 61.04 (2.403) | 289.64 (11.403) | 103.96 (4.093) |
| SPP-5E_ (225-600) | BH-3144 | 7/16 | 700 | 61.04 (2.403) | 289.64 (11.403) | 103.96 (4.093) |
| SPP-5F_ (225-600) | BH-3144 | 7/16 | 700 | 82.47 (3.247) | 311.07 (12.247) | 125.40 (4.937) |
| SPP-5H_ (225-600) | BH-3144 | 7/16 | 700 | 82.47 (3.247) | 311.07 (12.247) | 125.40 (4.937) |
| SPP-6B_ (300-600) | BH-3144 | 7/16 | 700 | 61.04 (2.403) | 289.64 (11.403) | 103.96 (4.093) |
| SPP-6E_ (300-600) | BH-3144 | 7/16 | 700 | 61.04 (2.403) | 289.64 (11.403) | 103.96 (4.093) |
| SPP-6F_ (300-600) | BH-3144 | 7/16 | 700 | 82.47 (3.247) | 311.07 (12.247) | 125.40 (4.937) |
| SPP-6H_ (300-600) | BH-3144 | 7/16 | 700 | 82.47 (3.247) | 311.07 (12.247) | 125.40 (4.937) |
| SPP-7B_ (450-600) | BH-3144 | 7/16 | 700 | 62.64 (2.466) | 291.24 (11.466) | 105.56 (4.156) |
| SPP-7E_ (450-600) | BH-3144 | 7/16 | 700 | 62.64 (2.466) | 291.24 (11.466) | 105.56 (4.156) |
| SPP-7F_ (450-600) | BH-3144 | 7/16 | 700 | 81.69 (3.216) | 310.29 (12.216) | 124.61 (4.906) |
| SPP-7H_ (450-600) | BH-3144 | 7/16 | 700 | 81.69 (3.216) | 310.29 (12.216) | 124.61 (4.906) |
| 170L4702 thru 170L4720 | BH-3145 | 3/8 | 1000 | 67.06 (2.64) | 295.66 (11.642) | 109.98 (4.33) |
| 170L5195 thru 170L5299 | BH-3145 | 3/8 | 1000 | 65.07 (2.562) | 293.67 (11.562) | 108.00 (4.252) |
| 170L7295 thru 170L7296 | BH-3145 | 3/8 | 1000 | 65.07 (2.562) | 293.67 (11.562) | 108.00 (4.252) |
| 170L7635 thru 170L7636 | BH-3145 | 3/8 | 1000 | 65.07 (2.562) | 293.67 (11.562) | 108.00 (4.252) |
| 170L7697 thru 170L7699 | BH-3145 | 3/8 | 1000 | 65.07 (2.562) | 293.67 (11.562) | 108.00 (4.252) |
| 170L8124 thru 170L8379 | BH-3145 | 3/8 | 1000 | 65.07 (2.562) | 293.67 (11.562) | 108.00 (4.252) |
| 170L8423 thru 170L8429 | BH-3145 | 3/8 | 1000 | 65.07 (2.562) | 293.67 (11.562) | 108.00 (4.252) |
| 170L8684 thru 170L8982 | BH-3144 | 7/16 | 1000 | 72.06 (2.837) | 300.66 (11.837) | 114.99 (4.527) |
| 170L9300 thru 170L9302 | BH-3144 | 7/16 | 1000 | 72.06 (2.837) | 300.66 (11.837) | 114.99 (4.527) |
| 170L9306 thru 170L9308 | BH-3144 | 7/16 | 1000 | 72.06 (2.837) | 300.66 (11.837) | 114.99 (4.527) |
| 170M3020 thru 170M3023 | BH-3145 | 3/8 | 660 | 35.05 (1.38) | 263.65 (10.38) | 77.98 (3.07) |
| 170M3070 thru 170M3073 | BH-3145 | 3/8 | 660 | 35.05 (1.38) | 263.65 (10.38) | 77.98 (3.07) |
| 170M3120 thru 170M3123 | BH-3145 | 3/8 | 660 | 35.05 (1.38) | 263.65 (10.38) | 77.98 (3.07) |
| 170M3170 thru 170M3173 | BH-3145 | 3/8 | 660 | 65.07 (2.562) | 293.67 (11.562) | 108.00 (4.252) |
| 170M3220 thru 170M3223 | BH-3145 | 3/8 | 660 | 65.07 (2.562) | 293.67 (11.562) | 108.00 (4.252) |
| 170M3270 thru 170M3273 | BH-3145 | 3/8 | 660 | 65.07 (2.562) | 293.67 (11.562) | 108.00 (4.252) |
| 170M3320 thru 170M3323 | BH-3144 | 7/16 | 660 | 33.07 (1.302) | 261.67 (10.302) | 76.00 (2.992) |
| 170M3370 thru 170M3373 | BH-3144 | 7/16 | 660 | 33.07 (1.302) | 261.67 (10.302) | 76.00 (2.992) |

Table 1. Mounting dimensions - mm (in) continued

| Bussmann series fuse catalog symbol (amp range) | Fuse block cat. no. | Stud dia. (in) | Fuse volts | Dimensions — mm (in) | | |
|--|------------------------|-------------------|------------|----------------------|-----------------|----------------|
| | | | | A | B | C |
| 170M3620 thru 170M3623 | BH-3145 | 3/8 | 660 | 42.06 (1.656) | 270.66 (10.656) | 84.99 (3.346) |
| 170M3670 thru 170M3673 | BH-3145 | 3/8 | 660 | 42.06 (1.656) | 270.66 (10.656) | 84.99 (3.346) |
| 170M3720 thru 170M3723 | BH-3145 | 3/8 | 660 | 80.06 (3.152) | 308.66 (12.152) | 122.99 (4.842) |
| 170M3770 thru 170M3773 | BH-3145 | 3/8 | 660 | 80.06 (3.152) | 308.66 (12.152) | 122.99 (4.842) |
| 170M4008 thru 170M4017 | BH-3145 | 3/8 | 660 | 35.05 (1.38) | 263.65 (10.38) | 77.98 (3.07) |
| 170M4058 thru 170M4067 | BH-3145 | 3/8 | 660 | 35.05 (1.38) | 263.65 (10.38) | 77.98 (3.07) |
| 170M4108 thru 170M4117 | BH-3145 | 3/8 | 660 | 35.05 (1.38) | 263.65 (10.38) | 77.98 (3.07) |
| 170M4138 thru 170M4247 | BH-3145 | 3/8 | 1250 | 65.07 (2.562) | 293.67 (11.562) | 108.00 (4.252) |
| 170M4158 thru 170M4166 | BH-3145 | 3/8 | 660 | 65.07 (2.562) | 293.67 (11.562) | 108.00 (4.252) |
| 170M4167 thru 170M4208 | BH-3145 | 3/8 | 660 | 65.07 (2.562) | 293.67 (11.562) | 108.00 (4.252) |
| 170M4217 thru 170M4247 | BH-3145 | 3/8 | 660 | 65.07 (2.562) | 293.67 (11.562) | 108.00 (4.252) |
| 170M4258 thru 170M4267 | BH-3145 | 3/8 | 660 | 65.07 (2.562) | 293.67 (11.562) | 108.00 (4.252) |
| 170M4308 thru 170M4317 | BH-3145 | 3/8 | 660 | 43.08 (1.696) | 271.68 (10.696) | 86.00 (3.386) |
| 170M4358 thru 170M4367 | BH-3145 | 3/8 | 660 | 43.08 (1.696) | 271.68 (10.696) | 86.00 (3.386) |
| 170M4608 thru 170M4617 | BH-3144 | 7/16 | 660 | 61.06 (2.404) | 289.66 (11.404) | 103.99 (4.094) |
| 170M4658 thru 170M4667 | BH-3144 | 7/16 | 660 | 61.06 (2.404) | 289.66 (11.404) | 103.99 (4.09) |
| 170M4688 thru 170M4697 | BH-3144 | 7/16 | 1250 | 84.07 (3.31) | 312.67 (12.31) | 127.00 (5.00) |
| 170M4708 thru 170M4717 | BH-3144 | 7/16 | 660 | 83.06 (3.27) | 311.66 (12.27) | 125.98 (4.96) |
| 170M4738 thru 170M4747 | BH-3144 | 7/16 | 1250 | 84.07 (3.31) | 312.67 (12.31) | 127.00 (5.00) |
| 170M4758 thru 170M4767 | BH-3144 | 3/8 | 660 | 83.06 (3.27) | 311.66 (12.27) | 125.98 (4.96) |
| 170M5008 thru 170M5013 | BH-3145 | 3/8 | 660 | 35.05 (1.38) | 263.65 (10.38) | 77.98 (3.07) |
| 170M5058 thru 170M5063 | BH-3145 | 3/8 | 660 | 35.05 (1.38) | 263.65 (10.38) | 77.98 (3.07) |
| 170M5108 thru 170M5113 | BH-3145 | 3/8 | 660 | 35.05 (1.38) | 263.65 (10.38) | 77.98 (3.07) |
| 170M5138 thru 170M5147 | BH-3145 | 3/8 | 1250 | 65.07 (0.562) | 293.67 (11.562) | 108.00 (4.252) |
| 170M5158 thru 170M5163 | BH-3145 | 3/8 | 660 | 65.07 (0.562) | 293.67 (11.562) | 108.00 (4.252) |
| 170M5188 thru 170M5197 | BH-3145 | 3/8 | 1250 | 65.07 (0.562) | 293.67 (11.562) | 108.00 (4.252) |
| 170M5208 thru 170M5213 | BH-3145 | 3/8 | 660 | 65.07 (0.562) | 293.67 (11.562) | 108.00 (4.252) |
| 170M5238 thru 170M5247 | BH-3145 | 3/8 | 1250 | 65.07 (0.562) | 293.67 (11.562) | 108.00 (4.252) |
| 170M5258 thru 170M5263 | BH-3145 | 3/8 | 660 | 65.07 (0.562) | 293.67 (11.562) | 108.00 (4.252) |
| 170M5308 thru 170M5313 | BH-3145 | 3/8 | 660 | 48.08 (1.893) | 276.68 (10.893) | 91.01 (3.583) |
| 170M5358 thru 170M5363 | BH-3145 | 3/8 | 660 | 48.08 (1.893) | 276.68 (10.893) | 91.01 (3.583) |
| 170M5608 thru 170M5613 | BH-3144 | 7/16 | 660 | 62.08 (2.444) | 290.68 (11.444) | 105.00 (4.134) |
| 170M5658 thru 170M5663 | BH-3144 | 7/16 | 660 | 62.08 (2.444) | 290.68 (11.444) | 105.00 (4.134) |
| 170M5688 thru 170M5696 | BH-3144 | 7/16 | 1250 | 84.07 (3.31) | 312.67 (12.31) | 127.00 (5.00) |
| 170M5708 thru 170M5713 | BH-3144 | 7/16 | 660 | 82.07 (3.231) | 310.67 (12.231) | 124.99 (4.921) |
| 170M5738 thru 170M5746 | BH-3144 | 7/16 | 1250 | 84.07 (3.31) | 312.67 (12.31) | 127.00 (5.00) |
| 170M5758 thru 170M5763 | BH-3144 | 7/16 | 660 | 82.07 (3.231) | 310.67 (12.231) | 124.99 (4.921) |
| 170M6008 thru 170M6011 | BH-3145 | 3/8 | 660 | 35.05 (1.38) | 263.65 (10.38) | 77.98 (3.07) |
| 170M6058 thru 170M6061 | BH-3145 | 3/8 | 660 | 35.05 (1.38) | 263.65 (10.38) | 77.98 (3.07) |
| 170M6108 thru 170M6111 | BH-3145 | 3/8 | 660 | 35.05 (1.38) | 263.65 (10.38) | 77.98 (3.07) |
| 170M6138 thru 170M6145 | BH-3145 | 3/8 | 1250 | 65.07 (2.562) | 293.67 (11.562) | 108.00 (4.252) |
| 170M6158 thru 170M6161 | BH-3145 | 3/8 | 660 | 65.07 (2.562) | 293.67 (11.562) | 108.00 (4.252) |
| 170M6188 thru 170M6195 | BH-3145 | 3/8 | 1250 | 65.07 (2.562) | 293.67 (11.562) | 108.00 (4.252) |
| 170M6208 thru 170M6211 | BH-3145 | 3/8 | 660 | 65.07 (2.562) | 293.67 (11.562) | 108.00 (4.252) |
| 170M6238 thru 170M6245 | BH-3145 | 3/8 | 1250 | 65.07 (2.562) | 293.67 (11.562) | 108.00 (4.252) |
| 170M6258 thru 170M6261 | BH-3145 | 3/8 | 660 | 65.07 (2.562) | 293.67 (11.562) | 108.00 (4.252) |
| 170M6308 thru 170M6311 | BH-3144 | 7/16 | 660 | 48.08 (1.893) | 276.68 (10.893) | 91.01 (3.583) |
| 170M6358 thru 170M6361 | BH-3144 | 7/16 | 660 | 48.08 (1.893) | 276.68 (10.893) | 91.01 (3.583) |

The only controlled copy of this data sheet is the electronic read-only version located on the Eaton network drive. All other copies of this document are by definition uncontrolled. This bulletin is intended to clearly present comprehensive product data and provide technical information that will help the end user with design applications. Eaton reserves the right, without notice, to change design or construction of any products and to discontinue or limit distribution of any products. Eaton also reserves the right to change or update, without notice, any technical information contained in this bulletin. Once a product has been selected, it should be tested by the user in all possible applications.

Eaton
1000 Eaton Boulevard
Cleveland, OH 44122
Eaton.com

Bussmann Division
114 Old State Road
Ellisville, MO 63021
United States
Eaton.com/bussmannseries

© 2016 Eaton
All Rights Reserved
Printed in USA
Publication No. 1203 — N02099
December 2016

Eaton and Bussmann are valuable trademarks of Eaton in the U.S. and other countries. You are not permitted to use the Eaton trademarks without prior written consent of Eaton.

CSA is a registered trademark of the Canadian Standards Group.
UL is a registered trademark of the Underwriters Laboratories, Inc.

For Eaton's Bussmann series
product information,
call **1-855-287-7626** or visit:
Eaton.com/bussmannseries



Follow us on social media to get the latest product and support information.

