

4

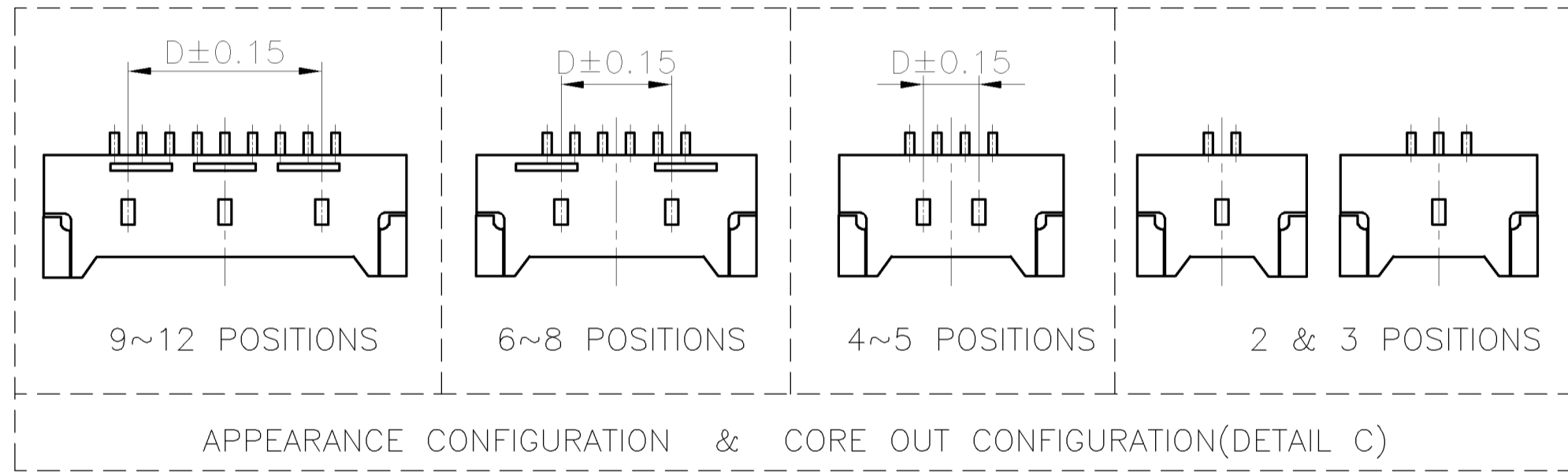
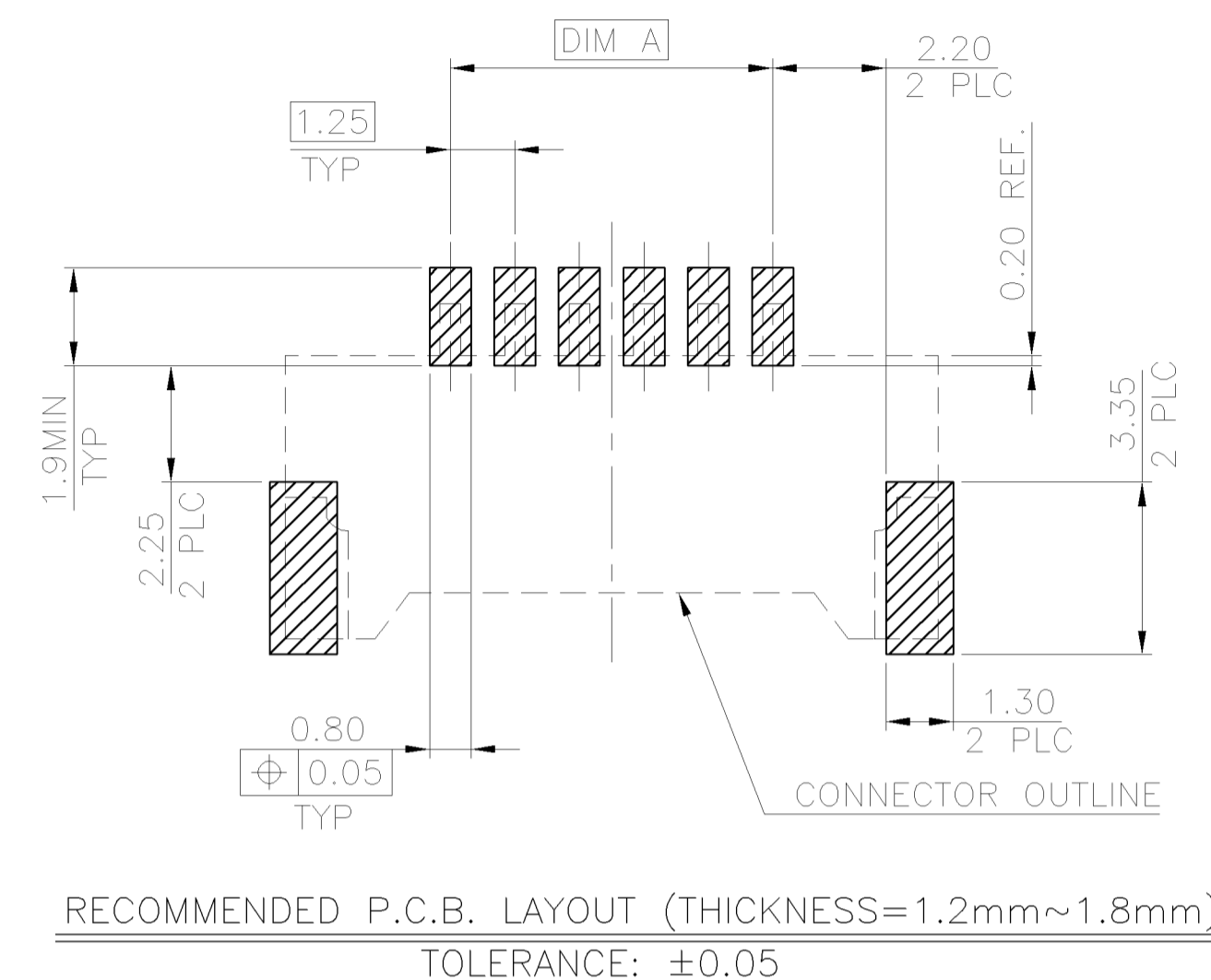
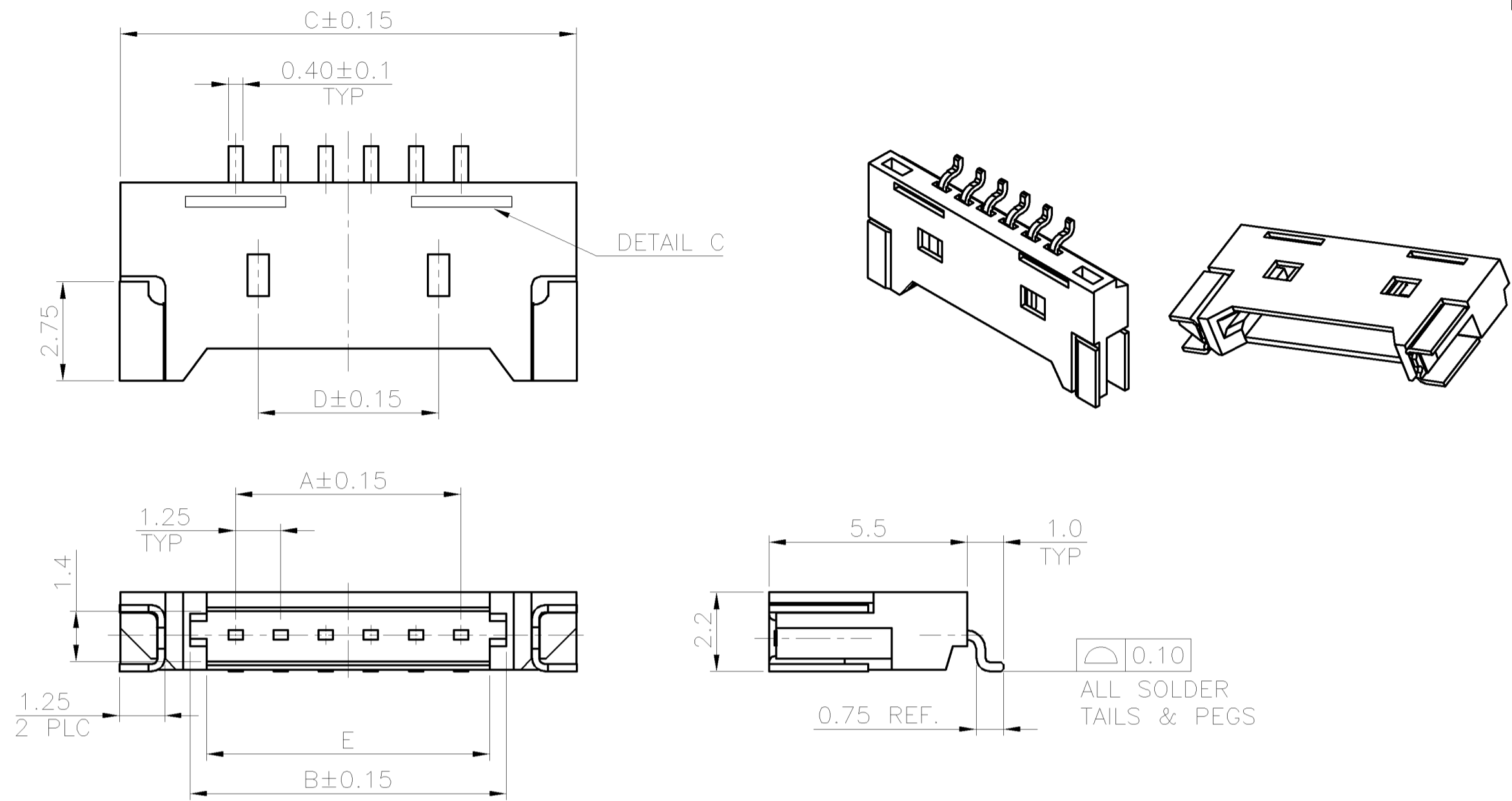
3

2

1

THIS DRAWING IS UNPUBLISHED. RELEASED FOR PUBLICATION AUG 2006 .
© COPYRIGHT - BY TYCO ELECTRONICS CORPORATION. ALL RIGHTS RESERVED.

LOC	DIST	REVISIONS					
DW		P	LTR	DESCRIPTION	DATE	DWN	APVD
			B1	REVISED. (ECR-10-018799)	19AUG10	JC	WK



NOTE:

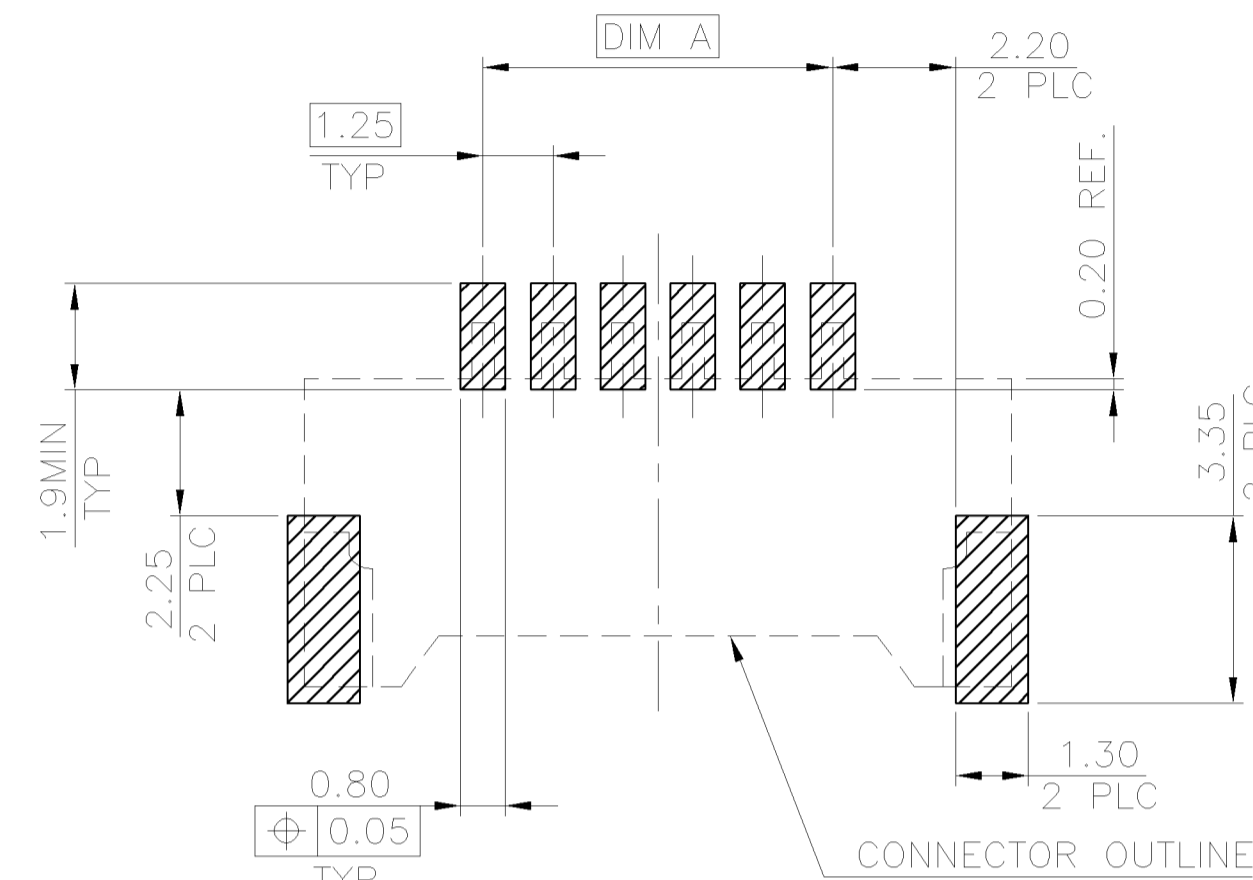
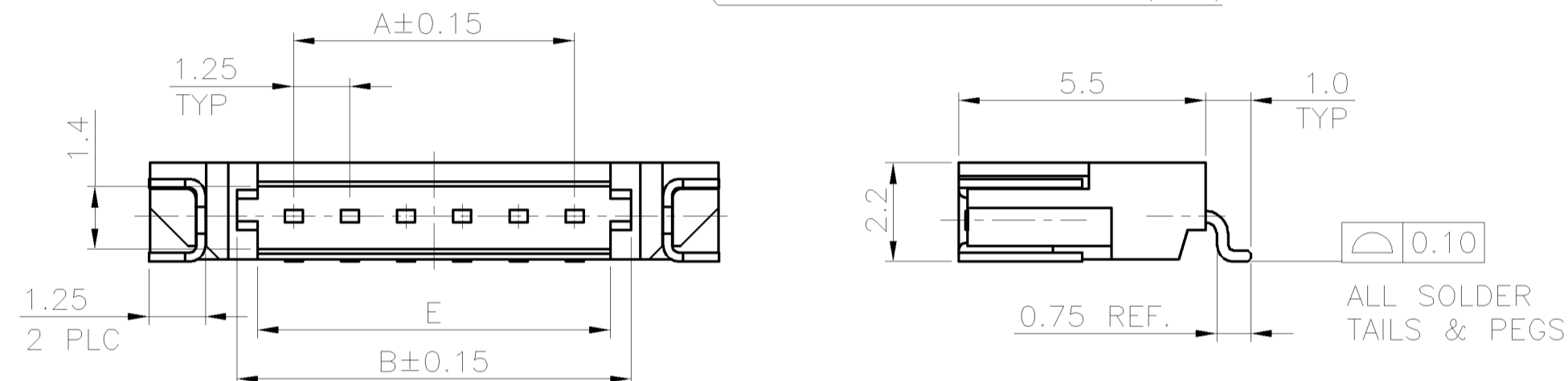
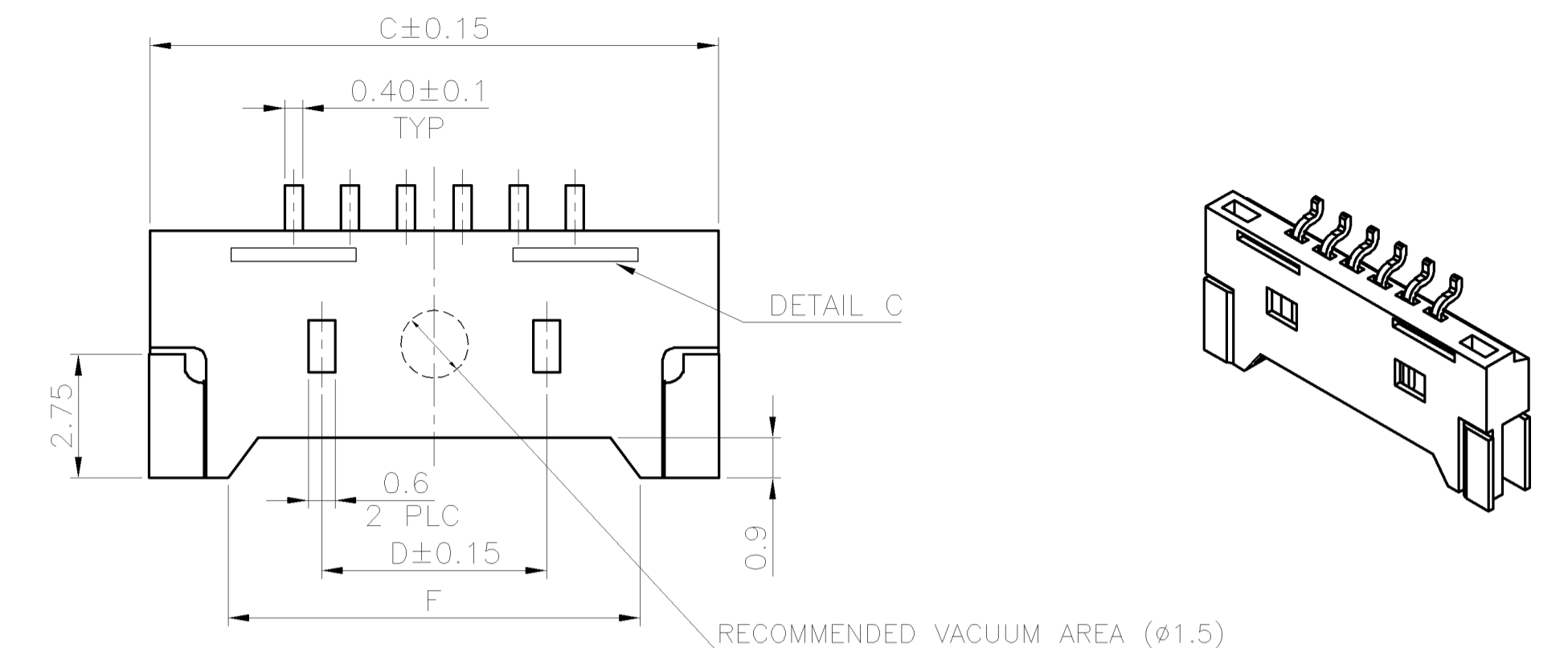
- MATERIAL:
HOUSING: LCP WITH 30% GF, UL 94V-0, NATURE COLOR.
CONTACTS: PHOSPHOR BRONZE.
PEGS: PHOSPHOR BRONZE.
- FINISH:
CONTACTS: GOLD FLASH PLATED OVER
1.27µm [50µ"] MIN. NICKEL PLATED ON ENTIRE CONTACT.
PEGS: 2.54µm [100µ"] MIN. MATTE-TIN PLATED,
1.27µm [50µ"] MIN. NICKEL UNDERPLATED OVERALL.
- REFLOW SOLDER CAPABLE TO 260°C PER TE SPEC. 109-201, CONDITION B.
- WITH HOUSING CORE OUT FOR 6 POSITION ABOVE.
- LOW HALOGEN SPECIFICATION:
CHLORINE(Cl): 900ppm MAX.
BROMINE(Br): 900ppm MAX.
CHLORINE(Cl) & BROMINE(Br): 1500ppm MAX.

0.88g	15.35	12.50	20.15	16.27	13.75	12	1-1775765-2
0.82g	12.85	10.00	17.65	13.77	11.25	10	1-1775765-0
0.76g	11.60	8.75	16.40	12.52	10.00	9	1775765-9
0.72g	10.35	7.50	15.15	11.27	8.75	8	1775765-8
0.66g	9.10	6.25	13.90	10.02	7.50	7	1775765-7
0.60g	7.85	5.00	12.65	8.77	6.25	6	1775765-6
0.54g	6.60	3.75	11.40	7.52	5.00	5	1775765-5
0.48g	5.35	2.50	10.15	6.27	3.75	4	1775765-4
0.42g	4.10		8.90	5.02	2.50	3	1775765-3
0.36g	2.85		7.65	3.77	1.25	2	1775765-2
WEIGHT	E	D	C	B	A	NO. OF CONTACTS	PART NUMBER

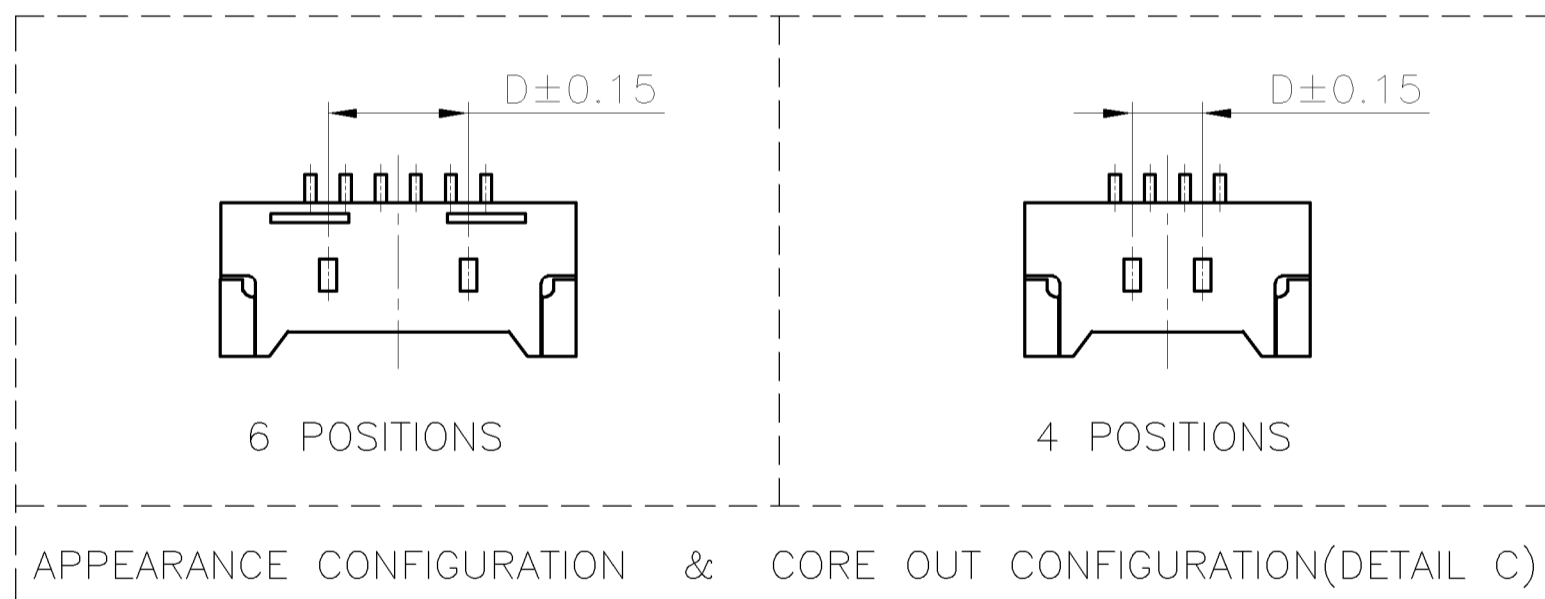
THIS DRAWING IS A CONTROLLED DOCUMENT.		DWN	19FEB2009	Tyco Electronics Corporation			
		F. YANG		Taipei, Taiwan			
		CHK	19FEB2009	Tyco Electronics			
		S. CHIEN		NAME			
		APVD	19FEB2009	WIRE TO BOARD CONNECTOR, MALE HEADER, 1.25mm PITCH, R/A, SMT TYPE			
		W. KODAMA		SIZE			
		PRODUCT SPEC		CAGE CODE			
		108-57650		DRAWING NO			
		QUALIFICATION TEST REPORT		RESTRICTED TO			
				A3 00779 C=1775765			
		WEIGHT	SEE TABLE	SCALE			
		CUSTOMER DRAWING		SHEET			
				1 OF 3			
				REV B1			

THIS DRAWING IS UNPUBLISHED. RELEASED FOR PUBLICATION AUG 2006 .
 © COPYRIGHT - BY TYCO ELECTRONICS CORPORATION. ALL RIGHTS RESERVED.

LOC DW	DIST	REVISIONS		
P	LTR	DESCRIPTION	DATE	DWN
		SEE SHEET 1.	-	-
				APVD



RECOMMENDED P.C.B. LAYOUT (THICKNESS=1.2mm~1.8mm)
 TOLERANCE: ±0.05



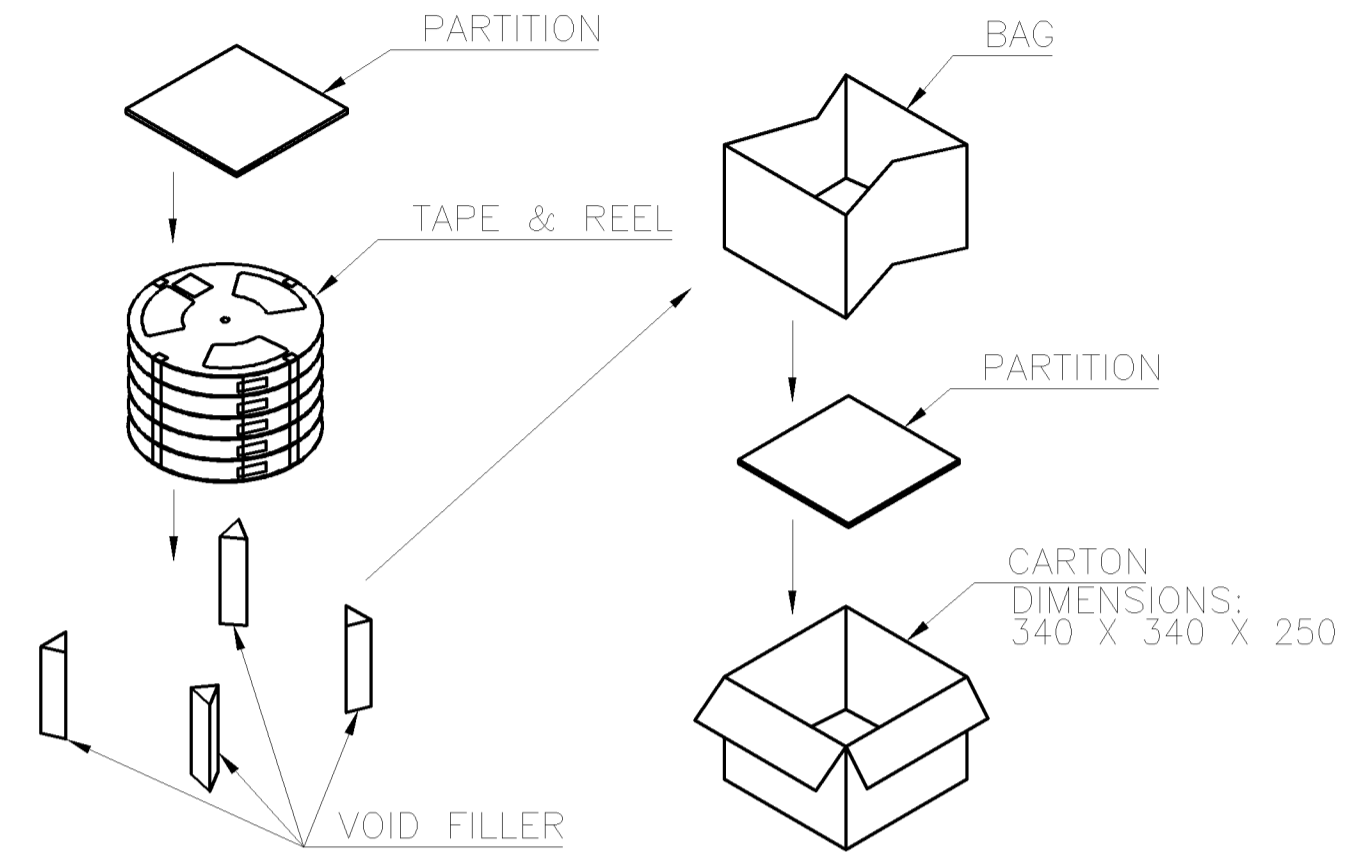
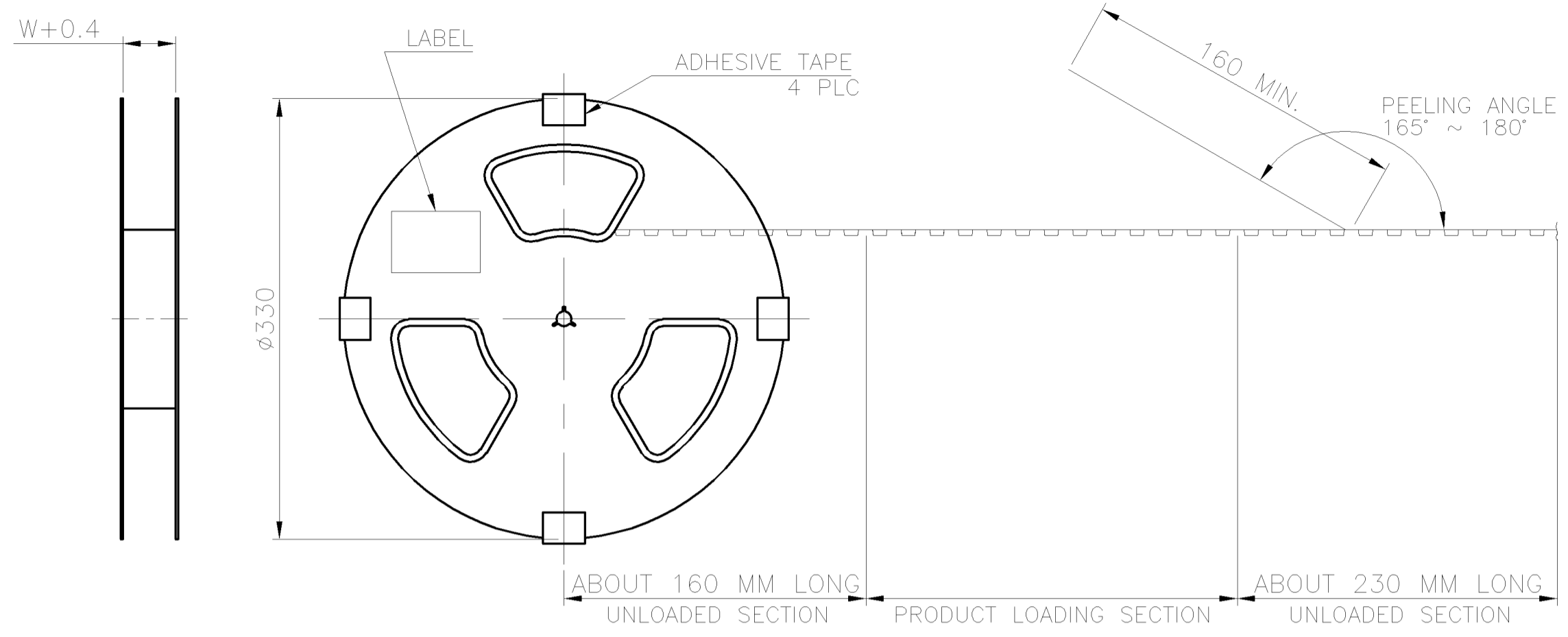
- NOTE:
- MATERIAL:
 HOUSING: LCP WITH 30% GF, UL 94V-0, NATURE COLOR.
 CONTACTS: PHOSPHOR BRONZE.
 PEGS: PHOSPHOR BRONZE.
 - FINISH:
 CONTACTS: 2.54µm [100µ"] MIN. MATTE-TIN PLATED OVER
 1.27µm [50µ"] MIN. NICKEL PLATED ON ENTIRE CONTACT.
 PEGS: 2.54µm [100µ"] MIN. MATTE-TIN PLATED,
 1.27µm [50µ"] MIN. NICKEL UNDERPLATED OVERALL.
 - REFLOW SOLDER CAPABLE TO 260°C PER TE SPEC. 109-201, CONDITION B.
 - WITH HOUSING CORE OUT FOR 6 POSITION ABOVE.
 - LOW HALOGEN SPECIFICATION:
 CHLORINE(Cl): 900ppm MAX.
 BROMINE(Br): 900ppm MAX.
 CHLORINE(Cl) & BROMINE(Br): 1500ppm MAX.

0.60g	9.17	7.85	5.00	12.65	8.77	6.25	6	2-1775765-6
0.48g	6.67	5.35	2.50	10.15	6.27	3.75	4	2-1775765-4
WEIGHT	F	E	D	C	B	A	NO. OF CONTACTS	PART NUMBER

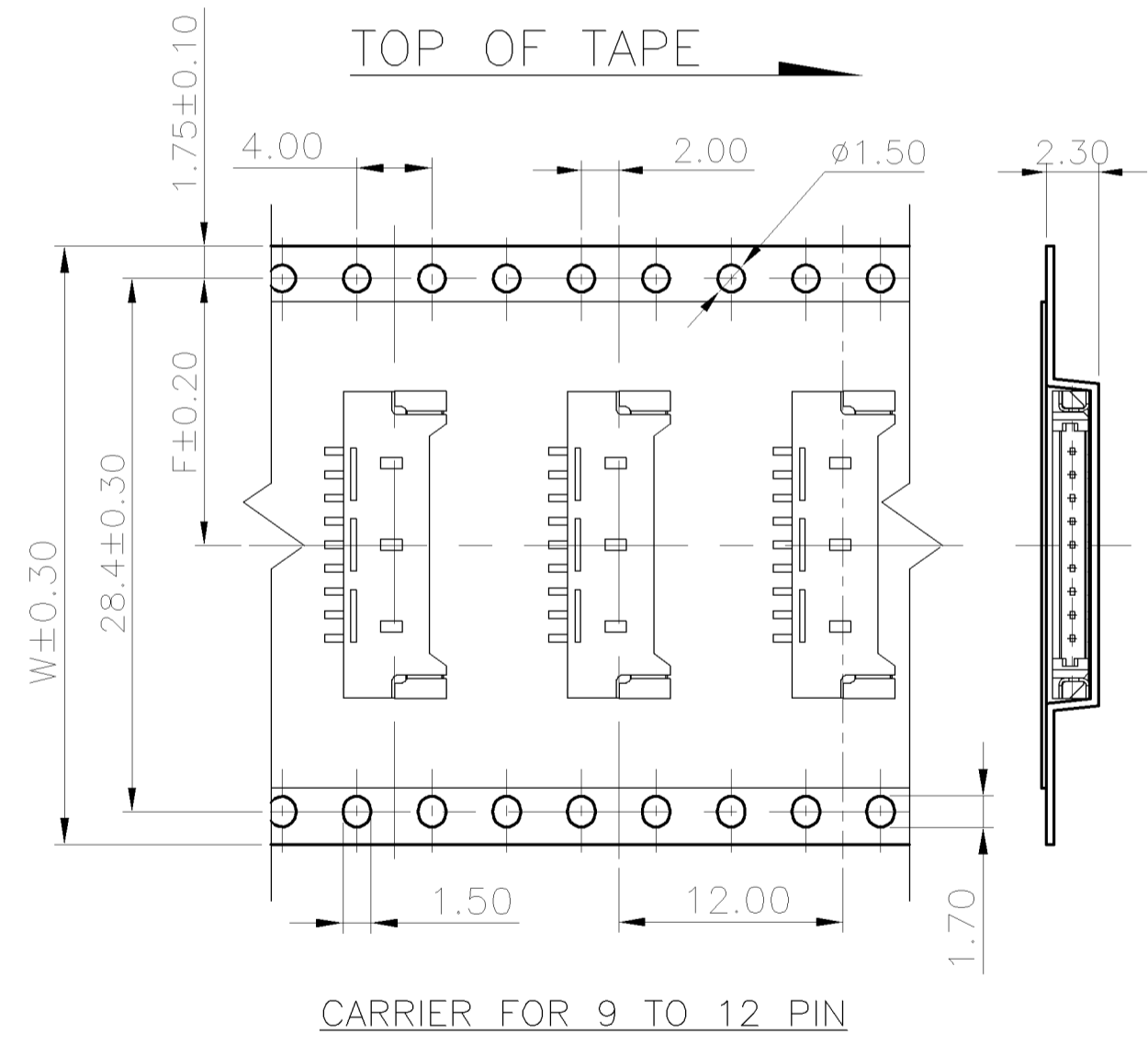
THIS DRAWING IS A CONTROLLED DOCUMENT.		DWN	Tyco Electronics Corporation Taipei, Taiwan	
DIMENSIONS: MM		CHK	NAME	
TOLERANCES UNLESS OTHERWISE SPECIFIED:		APVD	WIRE TO BOARD CONNECTOR, MALE HEADER, 1.25mm PITCH, R/A, SMT TYPE	
0 PLC ± -		PRODUCT SPEC	SIZE CAGE CODE DRAWING NO RESTRICTED TO	
1 PLC ± 0.3		QUALIFICATION TEST REPORT	A3 00779 C=1775765	
2 PLC ± 0.2		WEIGHT	SCALE SHEET REV	
3 PLC ± -		SEE TABLE	- 2 OF 3 B1	
4 PLC ± -		CUSTOMER DRAWING		
ANGLES ± 3°				
FINISH				
SEE NOTE				

THIS DRAWING IS UNPUBLISHED. RELEASED FOR PUBLICATION AUG, 2006.
 © COPYRIGHT BY TYCO ELECTRONICS CORPORATION. ALL RIGHTS RESERVED.

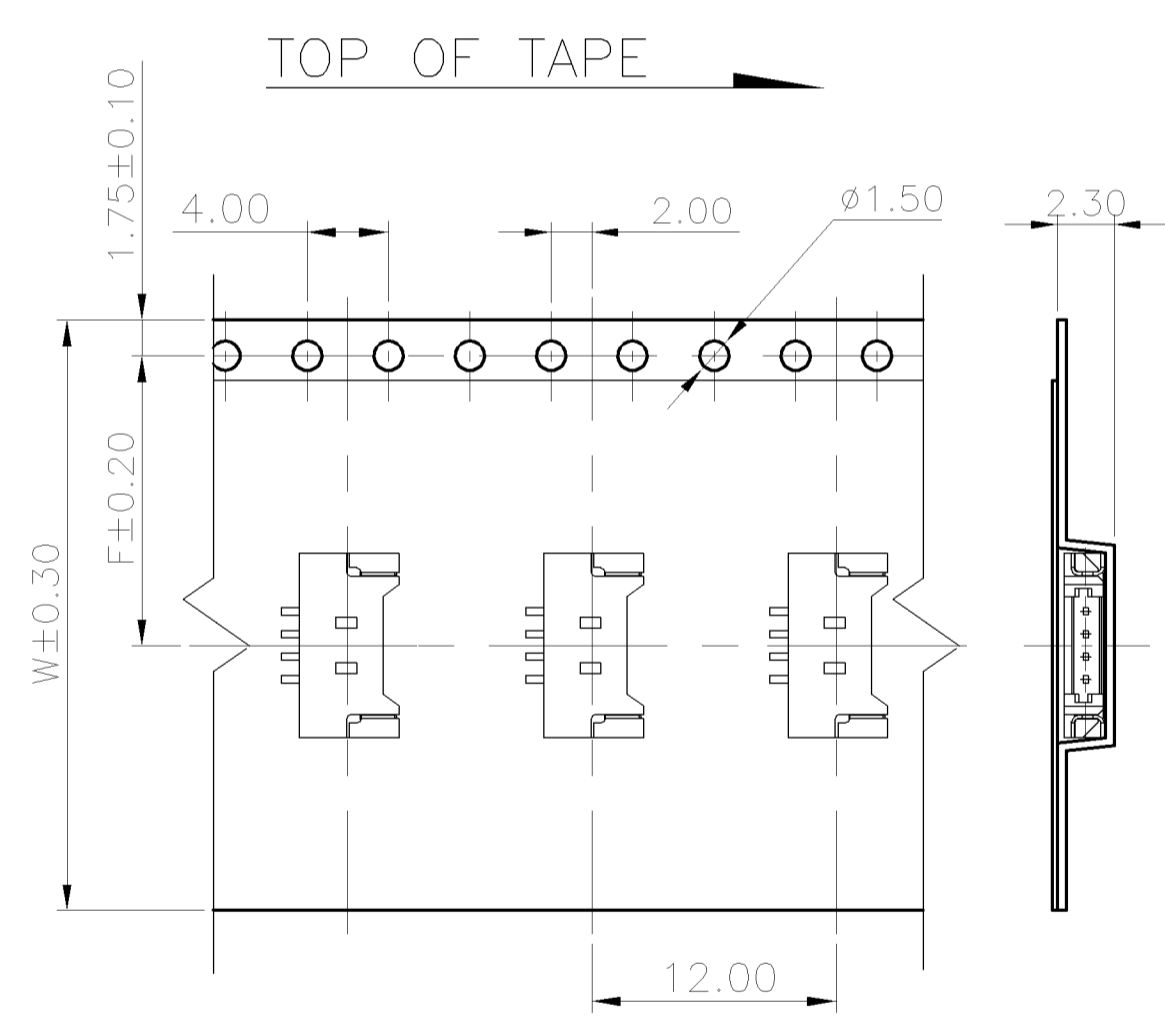
LOC		DIST		REVISIONS					
DW				P	LTR	DESCRIPTION	DATE	DWN	APVD
SEE SHEET 1.							-	-	-



NOTE:
 1. PEELING RESISTANCE: 10gf ~ 130gf.
 2. PEELING SPEED: 300mm/MINUTE.



CARRIER FOR 9 TO 12 PIN



CARRIER FOR 2 TO 8 PIN

DIM F	DIM W	PCS/TAPE	REELS/BOX	QUANTITY (PCS)	G/W (Kg)	N/W (Kg)	NO. OF CONTACTS
14.20	32	2000	6	12000	14.87	10.56	12
					12.43	9.84	10
					12.71	9.12	9
11.50	24	2000	7	14000	12.23	8.64	8
					12.72	9.24	7
					11.88	8.40	6
					11.04	7.56	5
					10.20	6.72	4
7.50	16	2000	10	20000	12.80	8.40	3
					11.60	7.20	2

THIS DRAWING IS A CONTROLLED DOCUMENT.		DWN	Tyco Electronics Corporation Taipei, Taiwan			
DIMENSIONS: MM		CHK	NAME			
TOLERANCES UNLESS OTHERWISE SPECIFIED:		APVD	WIRE TO BOARD CONNECTOR, MALE HEADER, 1.25mm PITCH, R/A, SMT TYPE			
0 PLC ± -		PRODUCT SPEC	SIZE	CAGE CODE	DRAWING NO	RESTRICTED TO
1 PLC ± -		QUALIFICATION TEST REPORT	A3	00779	C=1775765	-
2 PLC ± -		WEIGHT	CUSTOMER DRAWING			
3 PLC ± -			SCALE	SHEET	REV	
4 PLC ± -			-	3 OF 3	B1	
ANGLES ± -						
FINISH						