

4

3

2

1

THIS DRAWING IS UNPUBLISHED.

RELEASED FOR PUBLICATION

© COPYRIGHT 19

ALL RIGHTS RESERVED.

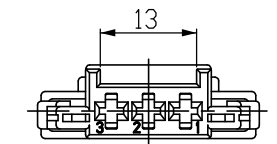
LOC DS

DIST -

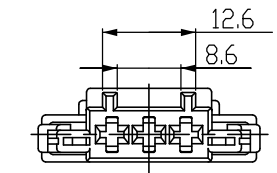
REVISIONS

P	LTR	DESCRIPTION	DATE	DWN	APVD
	A	RELEASED	23.FEB'11	IS	HG

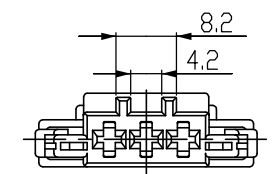
CODING
SCLAE 1:1



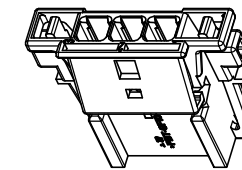
CODE "A"



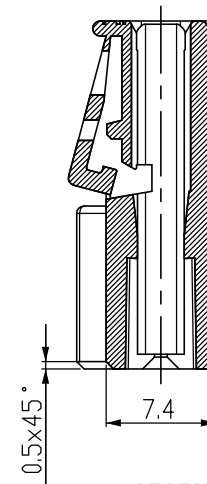
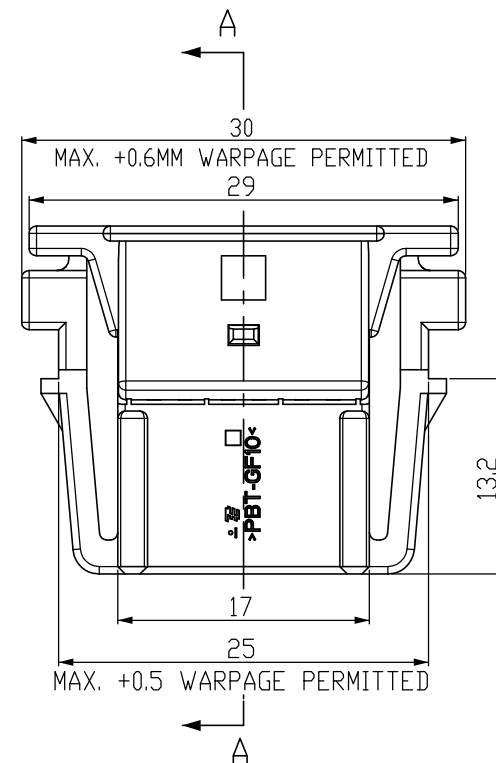
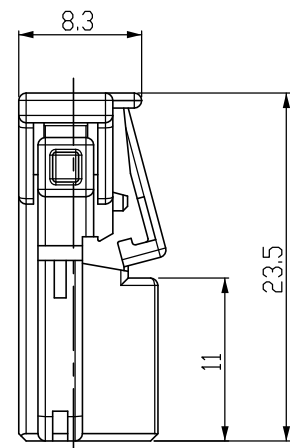
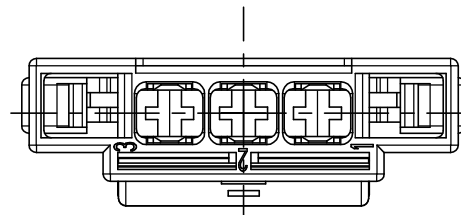
CODE "B"



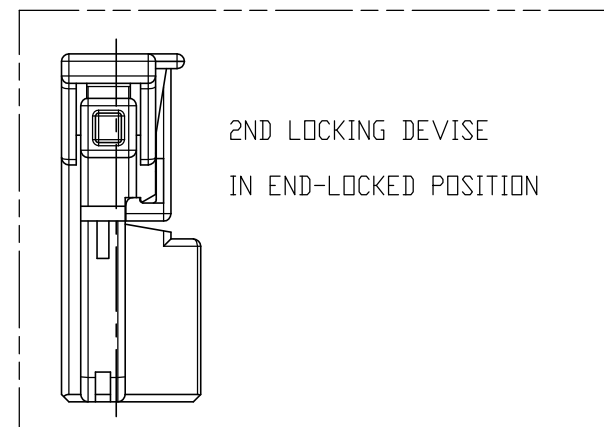
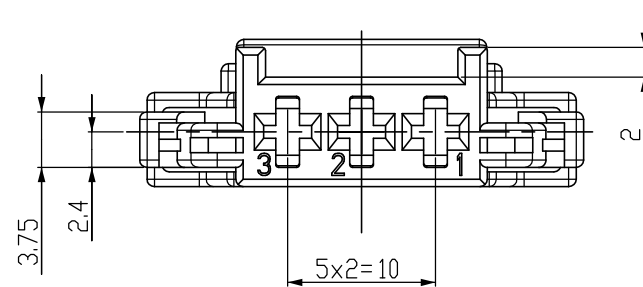
CODE "C"



3D VIEW
SCALE 1:1



SECTION A-A



2ND LOCKING DEVISE
IN END-LOCKED POSITION

NOTE

- GENERAL TOLERANCES: ±0.3, ±1°
- CAVITY ACCORDING TO TE MCP 2.8MM CONTACT STANDARD
TE DRAWING NO: 1355036
MAX. WIRE SIZE RANGE 2.5MM FLR PERMITTED
- ACCORDING TO INTERFACE DRAWING
TE SPEC NO: 114-18085-010, SHEET 3 OF 5

"A"	BLACK	PBT-GF10	PLUG HSG	2109032-2
CODE	COLOR	MATERIAL	DESCRIPTION	P/N

THIS DRAWING IS A CONTROLLED DOCUMENT.

DIMENSIONS:	TOLERANCES UNLESS OTHERWISE SPECIFIED:
mm	
	0 PLC ±-
	1 PLC ±0.5
	2 PLC ±0.13
	3 PLC ±0.013
	4 PLC ±0.0001
	ANGLES ±
MATERIAL	FINISH

DWN	IS WOO			
CHK	KT LIM			
APVD	HG CHO			
PRODUCT SPEC				
APPLICATION SPEC				
WEIGHT				
CUSTOMER DRAWING				
SIZE	A3	CAGE CODE	00779	DRAWING NO
				©-2109032
SCALE	2:1	SHEET	1 OF 1	REV
				A

TE TE Connectivity

MCP 2.8MM 3P PLUG HSG