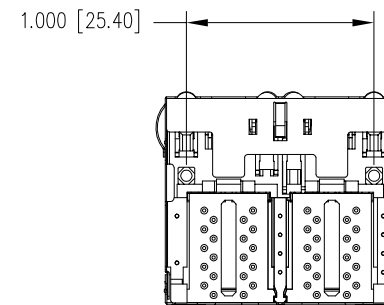
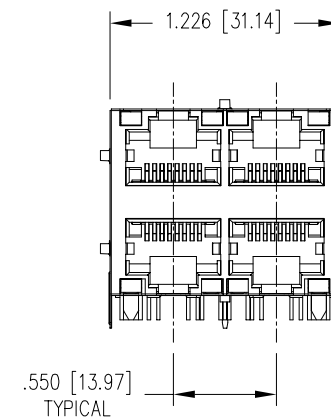
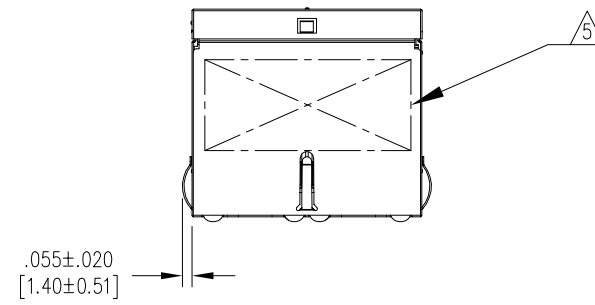
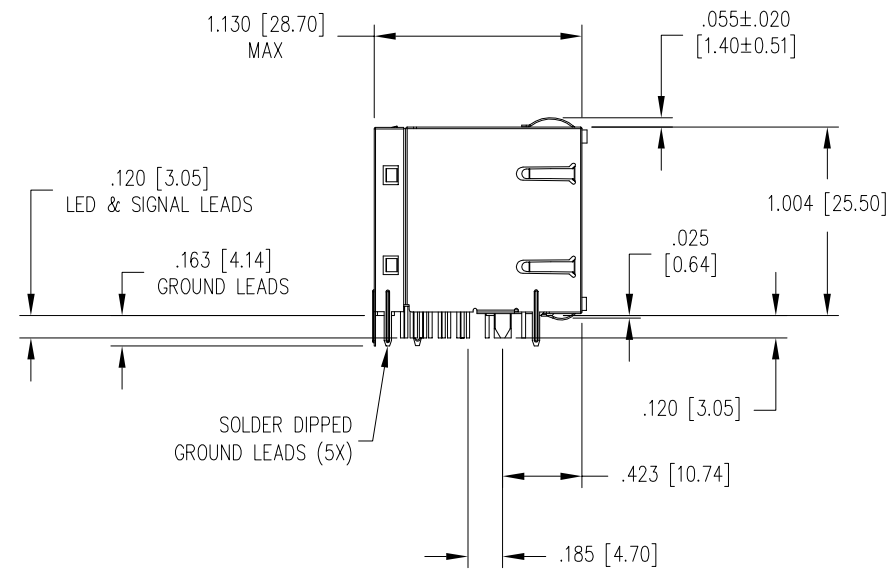
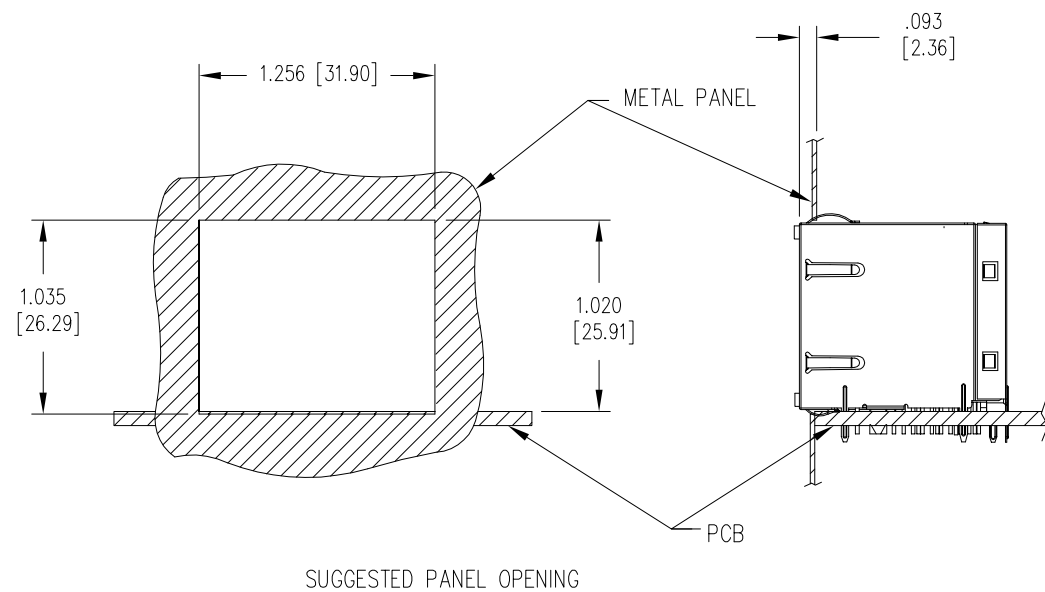


DATE	REV	ECN	APP'D. BY
9-8-15	X0	-	DHG
2-4-16	A0	10528	ADB



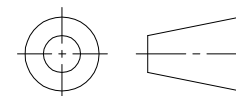
NOTES:

- CONNECTOR MATERIALS:
HOUSING: THERMOPLASTIC UL94 V-0
CONTACTS/SHIELD: COPPER ALLOY
SHIELD PLATING: NICKEL OR "REFLOW" TIN
CONTACT PLATING: SELECTIVE GOLD OR EQUIVALENT IN THE CONTACT AREA
SEE CHART FOR PART NUMBER
 - FOR PRODUCT SPECIFICATIONS SEE PR022-01.
 - DIMENSIONS AND TOLERANCES COMPLY WITH TIA-1096 STANDARD.
 - THE SUGGESTED PANEL OPENING IS INTENDED TO GIVE USER THE ABILITY TO HAVE REASONABLE JACK/PANEL CLEARANCES, YET MAINTAIN GROUNDING CAPABILITY. THESE VARIABLES CAN BE ADJUSTED IN EITHER DIRECTION BUT MAY CARRY SOME CONSEQUENCES IN THE FORM OF LOWER MATING FORCES OR TIGHTER ASSEMBLY TOLERANCES.
- 5 MARK PART WITH MFG LOGO, MFG NAME, PART NUMBER, AND DATE CODE.



50 MICRO-INCHES [1.27um]	SS-74500-020
CONTACT PLATING IN MATING AREA	PART NUMBER

THIRD ANGLE PROJECTION



1118 Susquehanna Trail South
Glen Rock, PA 17327-9199
(717) 235-7512

<http://www.stewartconnector.com>

DO NOT SCALE DRAWING
DRAWING IS SUBJECT TO
CHANGE WITHOUT NOTICE

TITLE: 2X2 SHIELDED STACKJACK
WITH GREEN/YELLOW UPPER AND LOWER LEADS

DIMENSIONS: INCHES [METRIC]
UNLESS OTHERWISE SPECIFIED
TOLERANCES ARE ±.010 [0.25]
ANGLES ARE ± 1°

THIS DRAWING AND THE SUBJECT MATTER SHOWN THEREON ARE CONFIDENTIAL AND THE PROPRIETARY PROPERTY OF STEWART CONNECTOR AND SHALL NOT BE REPRODUCED, COPIED, OR USED IN ANY MANNER WITHOUT PRIOR WRITTEN CONSENT OF STEWART CONNECTOR. THIS PRODUCT MAY BE PROTECTED BY ONE OR MORE OF THE FOLLOWING US PATENTS: 5791942 6217391 6368159 6419526 6602097 687722 6964587 7048590 7086909 7568950 7686650 OTHER PATENTS MAY BE PENDING.

DRN BY:	ADB	DATE	9-4-15
APPD BY:	DHG	DATE	9-8-15
DWG NO.	CT740218	REV.	A0

SHEET NO. 1 OF 3



LED INFORMATION

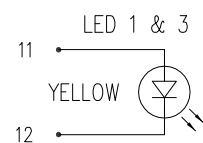
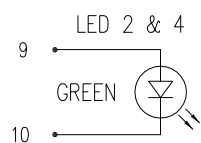
LED 2 & 4 POLARITY			LED 1 & 3 POLARITY		
PIN 9	PIN 10	COLOR	PIN 11	PIN 12	COLOR
+	-	GREEN	+	-	YELLOW

LED 2 & 4

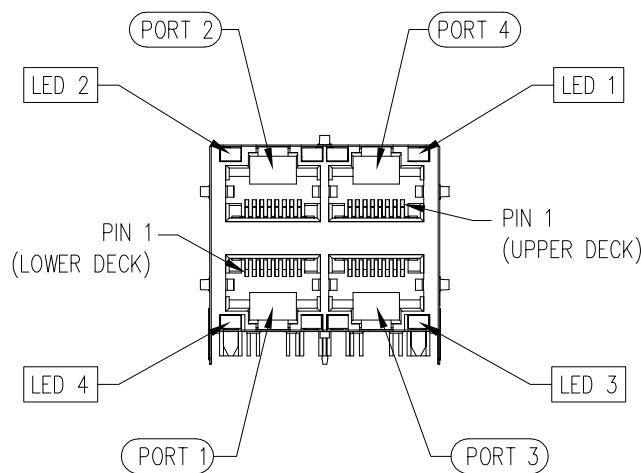
VF (FORWARD VOLTAGE) IF=20mA GREEN 2.2V TYP.
 λD (DOMINANT WAVELENGTH) IF=20mA GREEN 570nm TYP.

LED 1 & 3

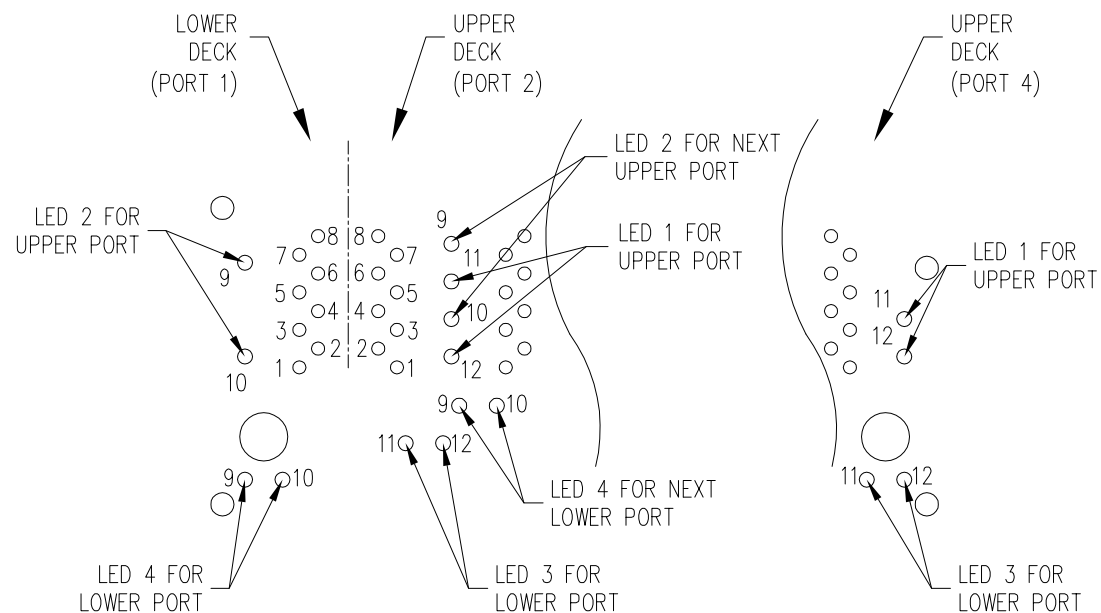
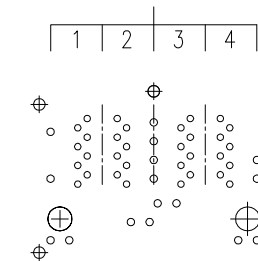
VF (FORWARD VOLTAGE) IF=20mA YELLOW 2.1V TYP.
 λD (DOMINANT WAVELENGTH) IF=20mA YELLOW 590nm TYP.



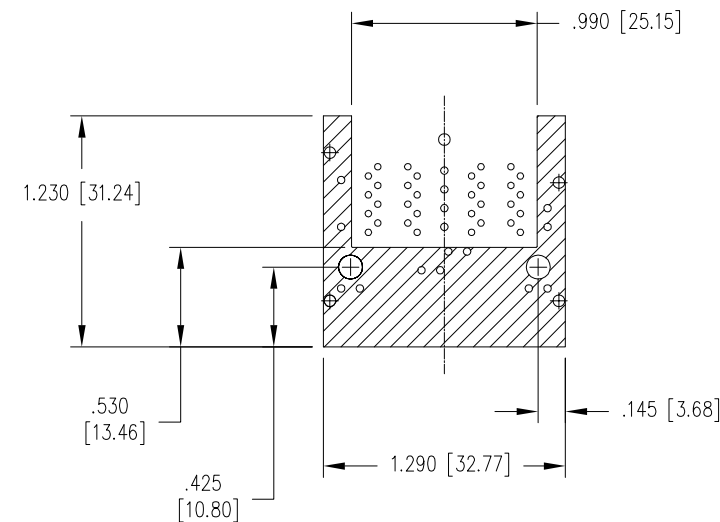
PORT ASSIGNMENT
(FRONT VIEW OF JACK)



PORT ASSIGNMENT
(PCB - COMPONENT SIDE VIEW)



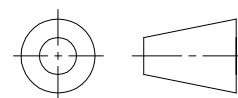
PIN-OUT INFORMATION
(PCB - COMPONENT SIDE VIEW)



THE SHADED AREA ON THE CUSTOMER BOARD IS RECOMMENDED TO BE CLEAR OF ANY VIA HOLE OR COMPONENT PAD.



THIRD ANGLE PROJECTION



1118 Susquehanna Trail South
 Glen Rock, PA 17327-9199
 (717) 235-7512

<http://www.stewartconnector.com>

DO NOT SCALE DRAWING
 DRAWING IS SUBJECT TO
 CHANGE WITHOUT NOTICE

TITLE: 2X2 SHIELDED STACKJACK
 WITH GREEN/YELLOW UPPER AND LOWER LEDS

DIMENSIONS: INCHES [METRIC]

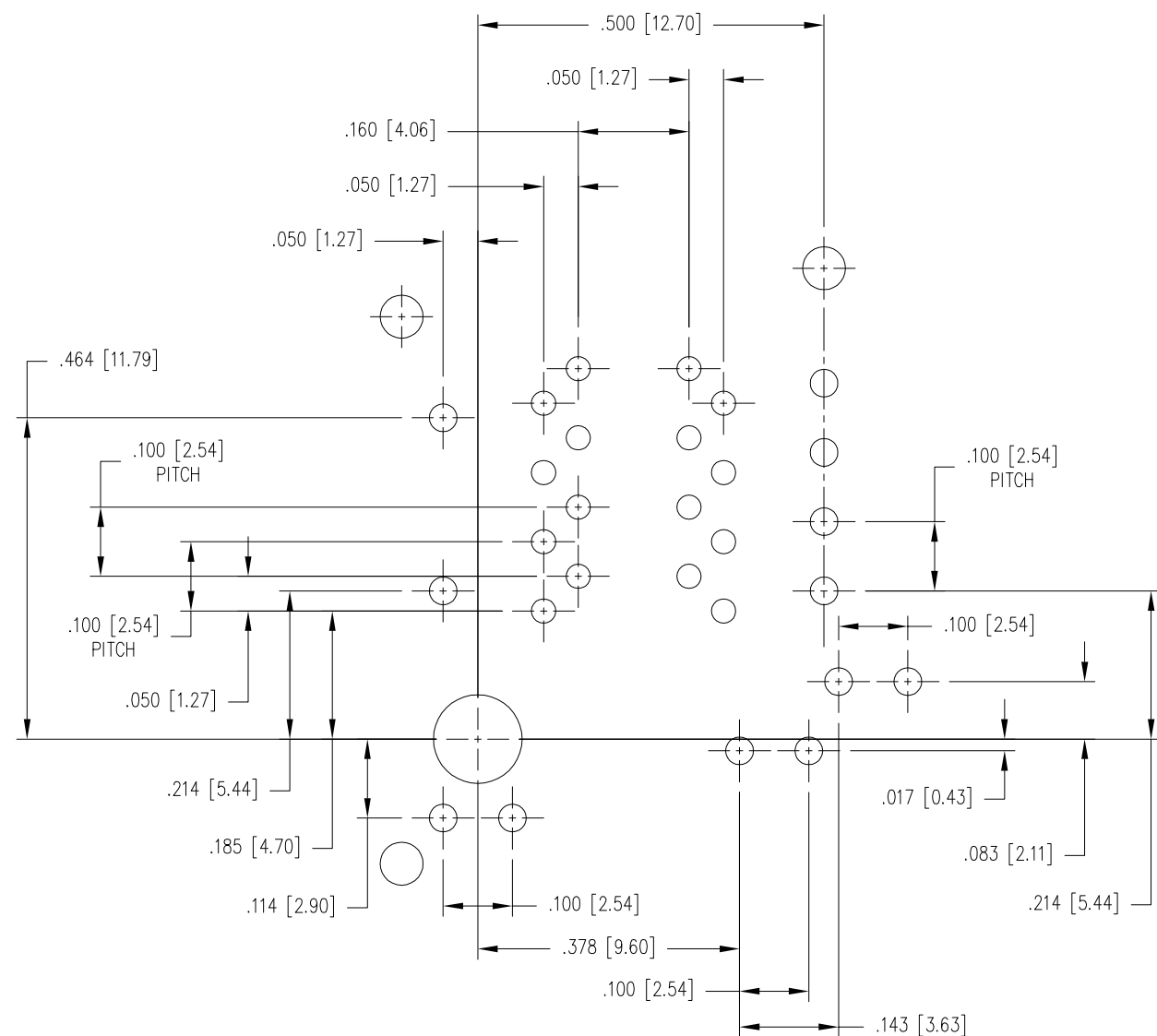
THIS DRAWING AND THE SUBJECT MATTER SHOWN THEREON ARE CONFIDENTIAL AND THE PROPRIETARY PROPERTY OF STEWART CONNECTOR AND SHALL NOT BE REPRODUCED, COPIED, OR USED IN ANY MANNER WITHOUT PRIOR WRITTEN CONSENT OF STEWART CONNECTOR. THIS PRODUCT MAY BE PROTECTED BY ONE OR MORE OF THE FOLLOWING US PATENTS: 5791942 6217391 6368159 6419526 6602097 687722 6964587 7048590 7086909 7568950 7686650 OTHER PATENTS MAY BE PENDING.

DRN BY: ADB DATE 9-4-15

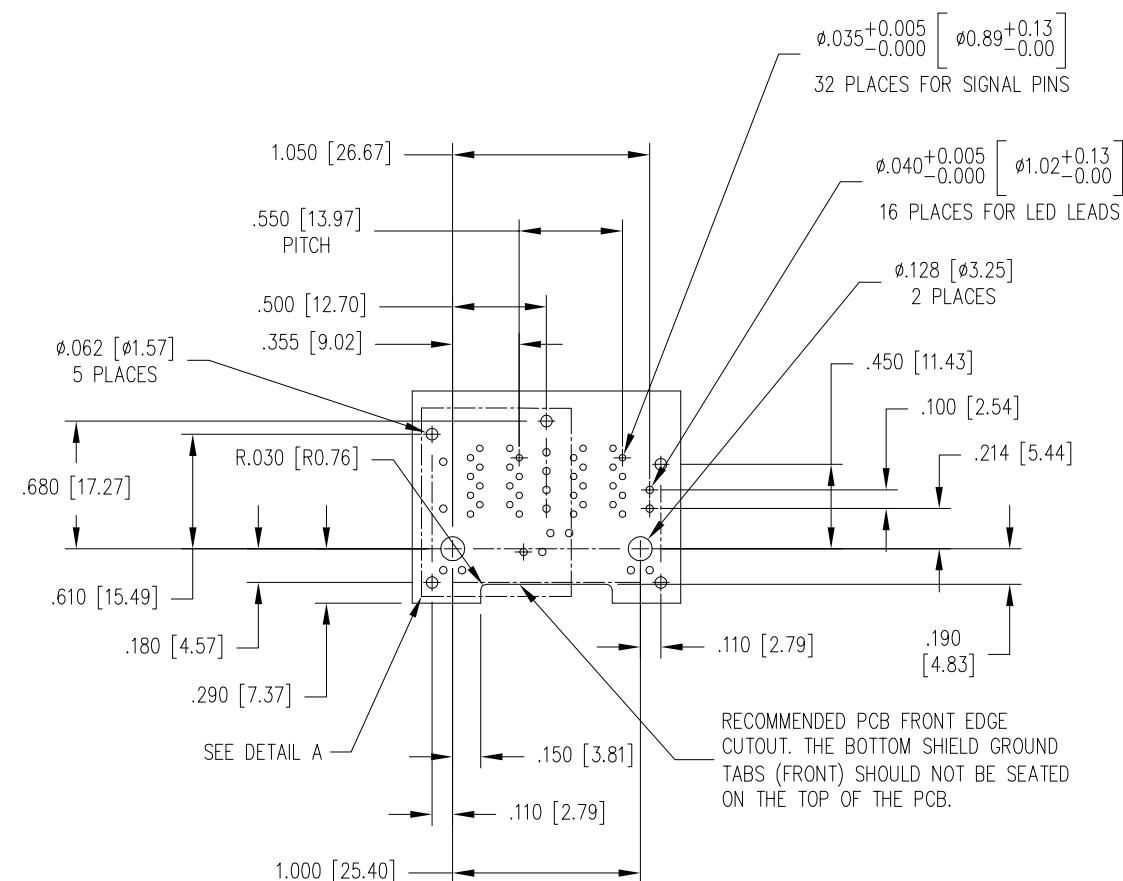
APPD BY: DHG DATE 9-8-15

DWG NO. CT740218 REV. A0

SHEET NO. 2 OF 3



DETAIL A - TYPICAL HOLE LAYOUT
SCALE 4X



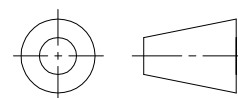
P.C.B. RECOMMENDED HOLE LAYOUT
(COMPONENT SIDE VIEW)

ALL CENTERLINE DIMENSIONS ARE BASIC.

ALL HOLE POSITIONS ARE $\pm \phi .006 [0.15]$

RECOMMENDED PCB FRONT EDGE
CUTOUT. THE BOTTOM SHIELD GROUND
TABS (FRONT) SHOULD NOT BE SEATED
ON THE TOP OF THE PCB.

THIRD ANGLE PROJECTION



1118 Susquehanna Trail South
Glen Rock, PA 17327-9199
(717) 235-7512

<http://www.stewartconnector.com>

DO NOT SCALE DRAWING
DRAWING IS SUBJECT TO
CHANGE WITHOUT NOTICE

TITLE: 2X2 SHIELDED STACKJACK
WITH GREEN/YELLOW UPPER AND LOWER LEADS

DIMENSIONS: INCHES [METRIC]

THIS DRAWING AND THE SUBJECT MATTER SHOWN THEREON ARE
CONFIDENTIAL AND THE PROPRIETARY PROPERTY OF STEWART CONNECTOR
AND SHALL NOT BE REPRODUCED, COPIED, OR USED IN ANY MANNER WITHOUT
PRIOR WRITTEN CONSENT OF STEWART CONNECTOR. THIS PRODUCT
MAY BE PROTECTED BY ONE OR MORE OF THE FOLLOWING US PATENTS:
5791942 6217391 6368159 6419526 6602097 687722
6964587 7048590 7086909 7568950 7686650
OTHER PATENTS MAY BE PENDING.

DRN BY: ADB DATE 9-4-15

APPD BY: DHG DATE 9-8-15

SHEET NO. 3 OF 3

DWG NO. CT740218 REV. A0

