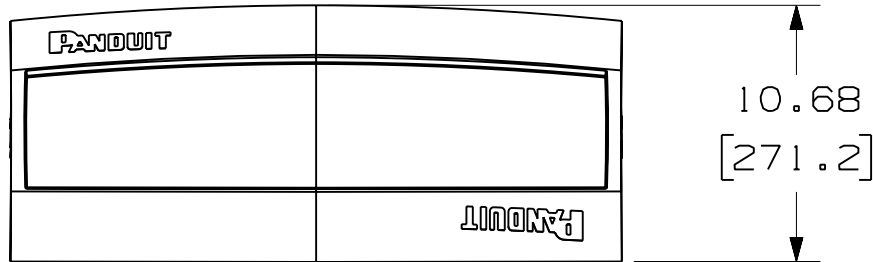


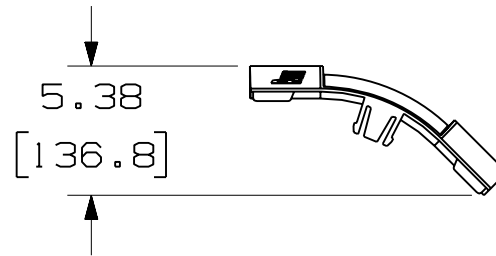
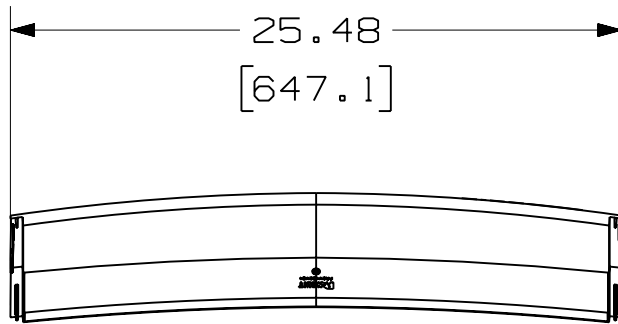
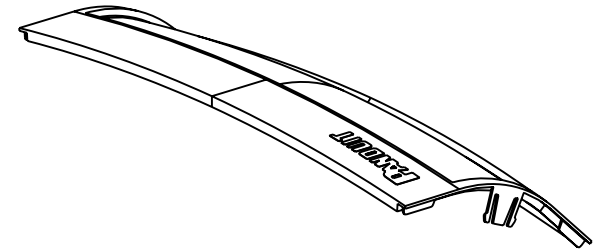
THIS COPY IS PROVIDED ON A RESTRICTED BASIS AND IS NOT TO BE USED IN ANY WAY DETRIMENTAL TO THE INTERESTS OF PANDUIT CORP.

PANDUIT PART NUMBER	WEIGHT
FROV45CV24	1.88 LB/EACH (853g/EACH)



**NOTES:**

1. SEE CURRENT CATALOG FOR ADDITIONAL PART SUFFIXES TO INDICATE COLOR AND/OR PACKAGE QUANTITY.
2. DIMENSIONS IN PARENTHESES ARE IN METRIC.



ENG. REF.: D39701EG\_DC/00 FROV45CV24.prt

CAD FILENAME/LAYERS  
FROV45CV24.pdf

**PANDUIT** CORP TINLEY PARK, ILLINOIS  
FIBERRUNNER 24x4 OUTSIDE VERTICAL  
45° ANGLE COVER (FROV45CV24)  
CUSTOMER DRAWING

UNLESS OTHERWISE SPECIFIED,  
DIMENSIONAL TOLERANCES ARE:  
(.X) ± (.XXX) ±  
(.XX) ± .03 (.8) ANGLES ±

UNLESS OTHERWISE SPECIFIED,  
ALL DIMENSIONS ARE GIVEN IN  
INCHES, THIRD ANGLE PROJECTION.

DRAWN BY MSO	MAT'L: ABS	SCALE NONE
DATE 8-7-09		DRAWING NO. 39701-75
CHK'D SL		DWG A SIZE

REV	DATE	BY	CHK	DESCRIPTION	ECN	R	CUST	SUP	GMBH
R	8-7-09	MSO	SL	RELEASED TO PRODUCTION	39701-75	RN	RN		