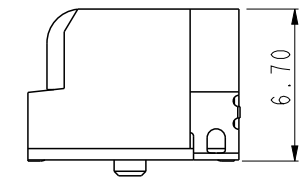
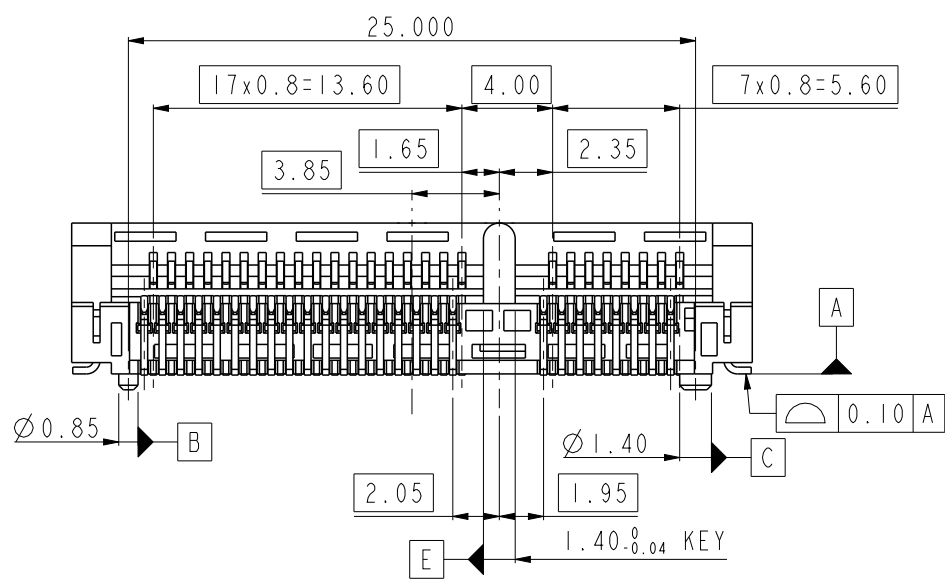
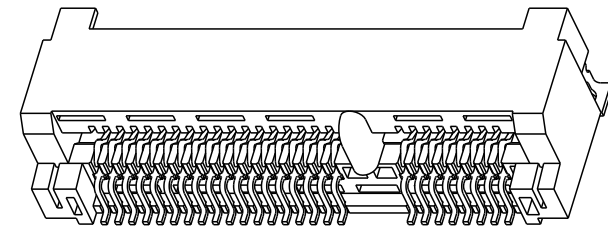
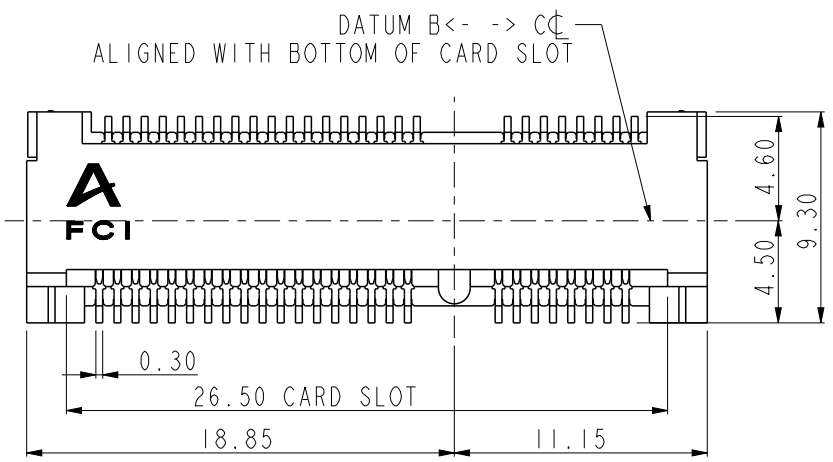




Copyright FCI.

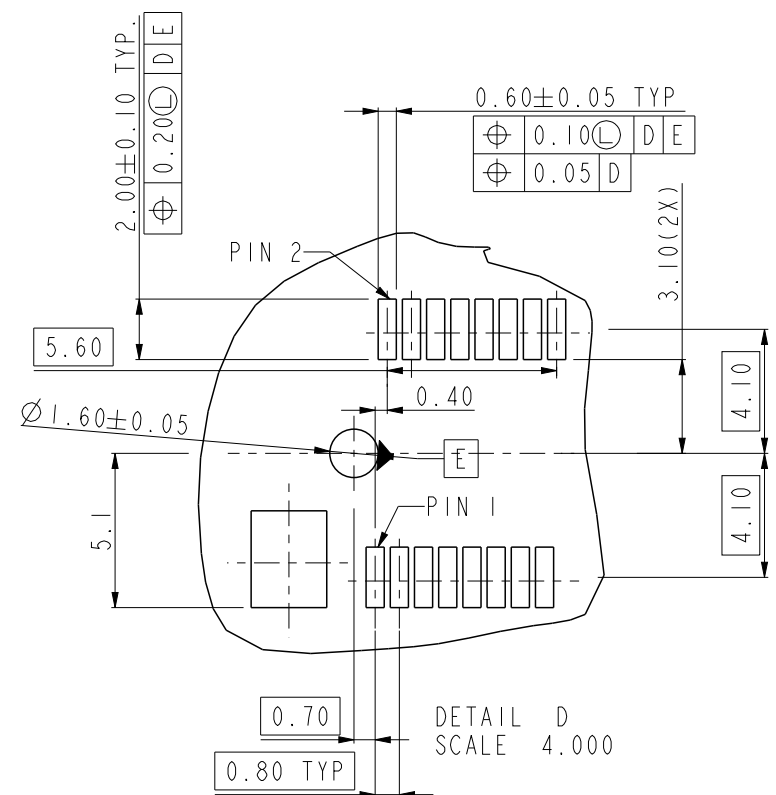
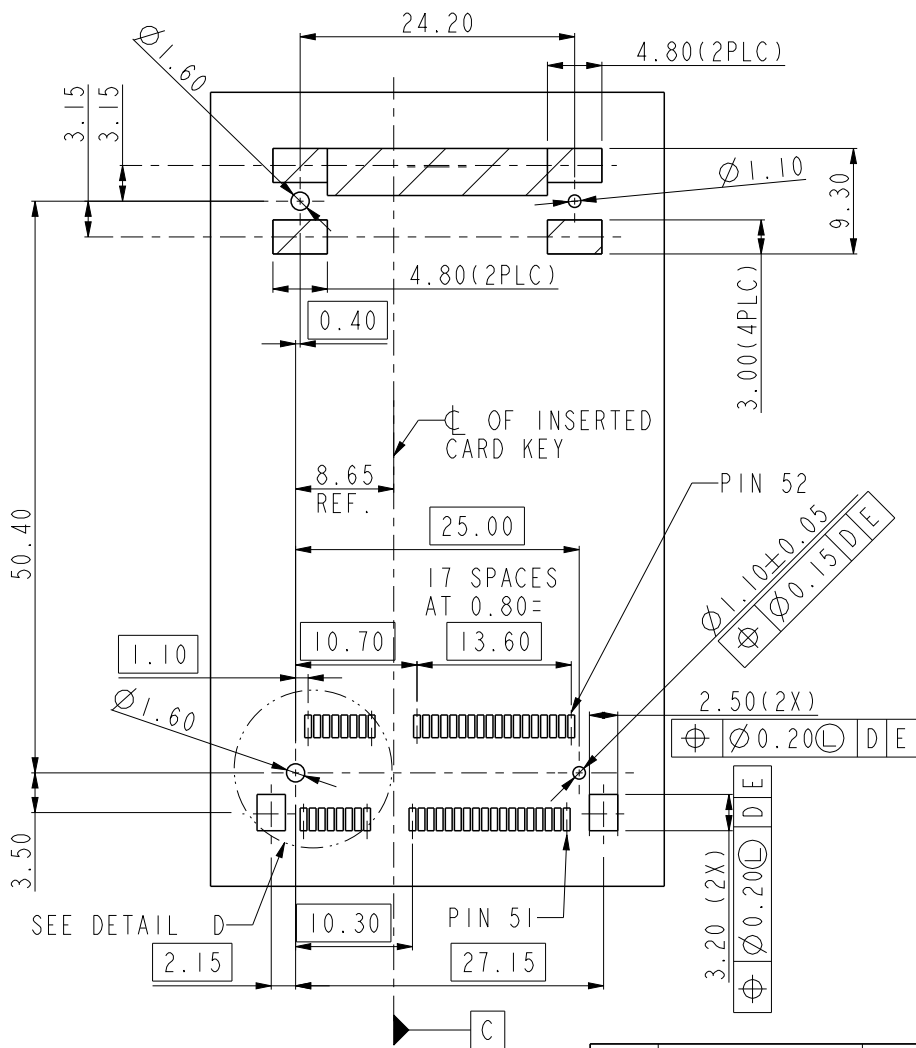


rev	ecn no	dr	date
A	T05-0182	RC	09/13/05
B	T06-0024	RC	03/15/06
C	DG06-0204	PM	05/29/06
D	DG06-0215	PM	06/02/06
E	DG09-0364	BL	11/20/09
F	ELX-DG-011231-1	AL	2012-04-09
-	-	-	-

spec ref	*	dr	Pei-Ming Zheng	2006/11/01	projection	mm	size	A4	scale	3.000
tolerance std	ASME Y14.5	eng	Andy Lu	2012/04/08			ecn no		ELX-DG-011231-1	
TOLERANCES UNLESS OTHERWISE SPECIFIED		chr	Jian Huang	2012/04/09			rel level		Released	
surface	linear	appr	Pei-Ming Zheng	2012/04/09	product family		rev		F	
ASME Y14.5	0.X	±0.30		title MINI PCI EXPRESS 52P 6.7MM HEIGHT ASSEMBLY	cat. no.	Product - Customer Drw	sheet 1 of 5	dwg no 10054995	rev F	
	0.XX	±0.25								
	0.XXX	±0.15								
ASME Y14.5	angular	0°	www.fci.com							

ProjE File - REV C - 2009-06-09

RECOMMENDED PCB LAYOUT(SINGLE SOCKET)



DETAIL D
SCALE 4.000

- NOTES:
- DATUM D IS THE TOP SURFACE OF PCB.
 - THE HORIZONTAL AXIS FOR THE PATTERN IS ESTABLISHED BY A LIN THROUGH THE CENTER OF THE $\varnothing 1.60$ AND $\varnothing 1.10$ HOLES. THE VERTICAL AXIS IS 90° TO THE HORIZONTAL AXIS, THROUGH THE CENTER OF DATUM E.
 - LOCATION OF INSERTED CARD EDGE IS ALIGNED WITH \varnothing OF HOLES.

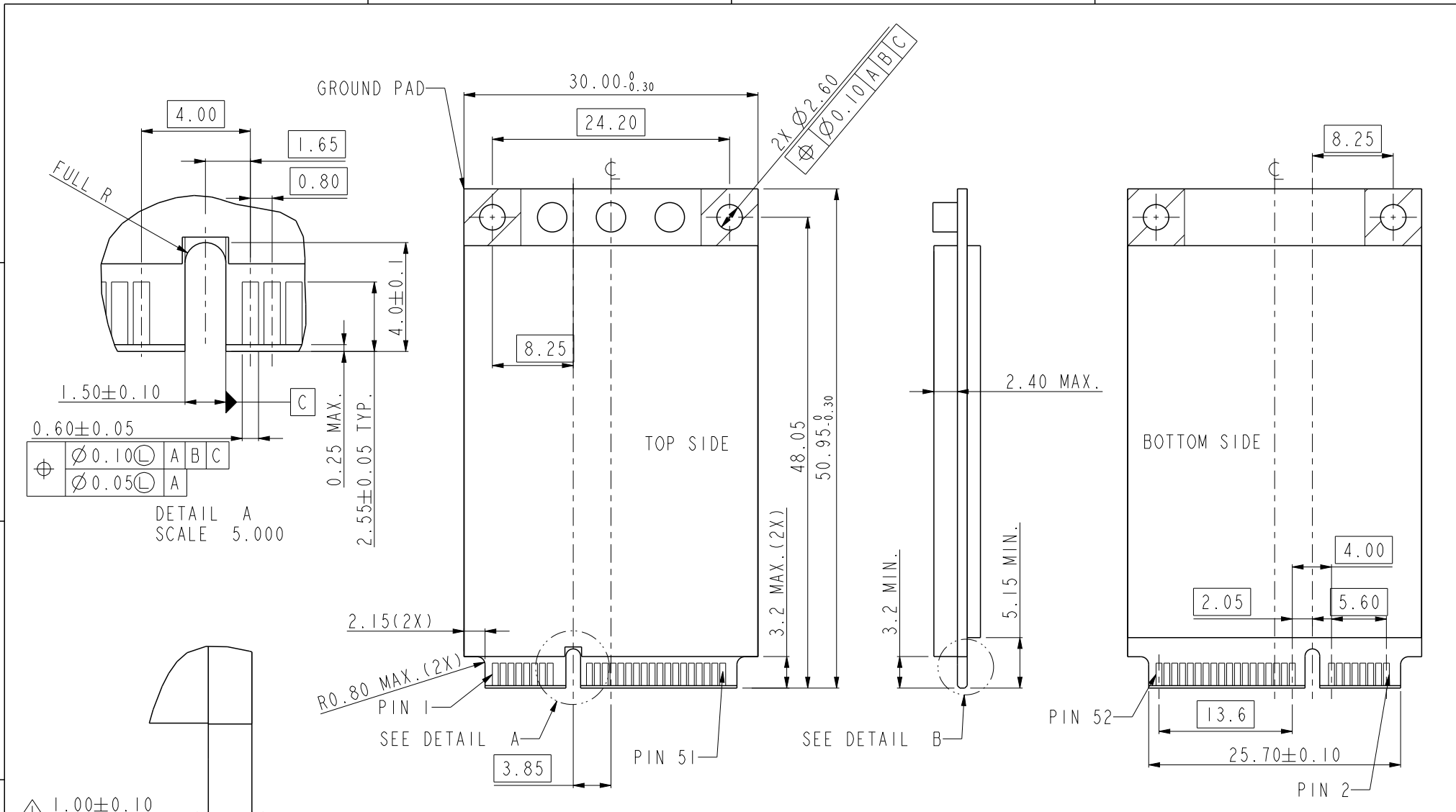
dr	Pei-Ming Zheng	2006/11/01	projection 	mm 	size	A4	scale	1.500
eng	Andy Lu	2012/04/08			ecn no	ELX-DG-011231-1		
chr	Jian Huang	2012/04/09			rel level	Released		
appr	Pei-Ming Zheng	2012/04/09	product family		rev		F	
		title			dwg no		rev	
www.fci.com		cat. no.			10054995		F	
Product - Customer Drw				sheet 2 of 5				



Copyright FCI.



Copyright FCI.



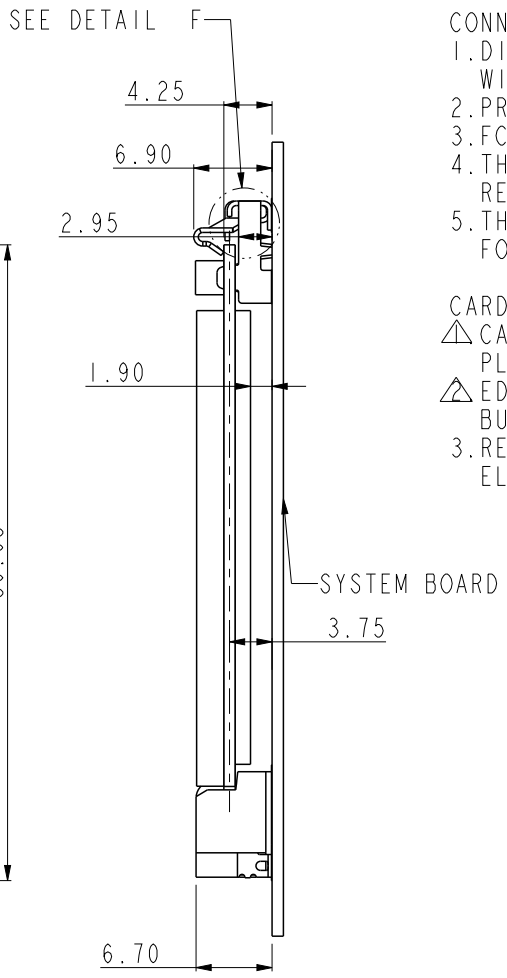
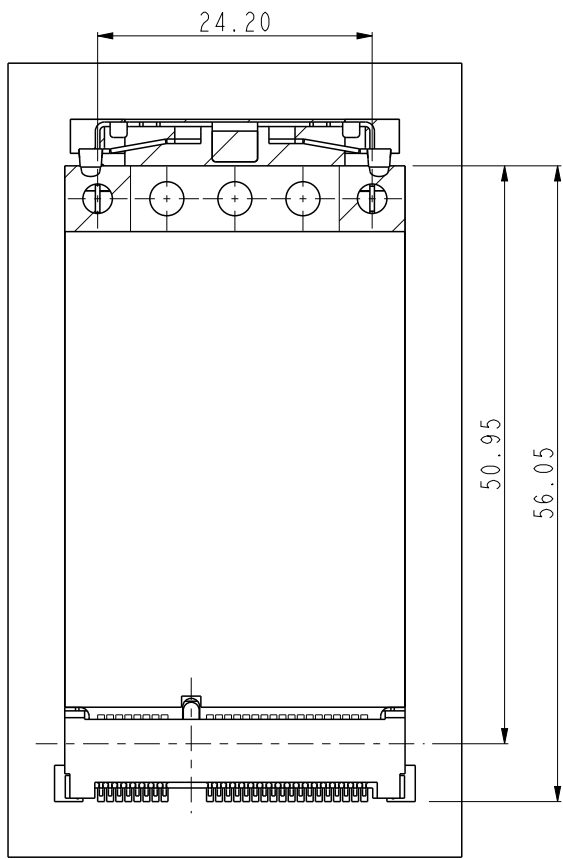
DETAIL A
SCALE 5.000

DETAIL B
SCALE 8.000

dr	Pei-Ming Zheng	2006/11/01	projection 	mm ←→	size	A4	scale	2.000
eng	Andy Lu	2012/04/08			ecn no	ELX-DG-011231-1		
chr	Jian Huang	2012/04/09			rel level	Released		
appr	Pei-Ming Zheng	2012/04/09	product family		rev		F	
www.fci.com		title		MINI PCI EXPRESS 52P		dwg no		10054995
cat. no.		6.7MM HEIGHT ASSEMBLY		Product - Customer Drw		sheet 3 of 5		

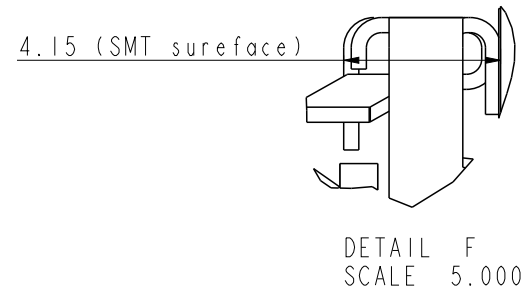


Copyright FCI.



CONNECTOR NOTES:
 1. DIMENSIONS AND TOLERANCE ARE IN ACCORDANCE WITH ASME Y14.5M, 1944 UNLESS OTHERWISE SPECIFIED.
 2. PRODUCT SPECIFICATION: GS-12-236.
 3. FCI LOGO WILL BE APPROXIMATELY LOCATED AS SHOWN ON PRINT.
 4. THIS PRODUCT MEETS EUROPEAN UNION DIRECTIVES AND OTHER COUNTRY REGULATIONS AS DESCRIBED IN GS-22-008.
 5. THE HOUSING WILL WITHSTAND EXPOSURE TO 260°C PEAK TEMPERATURE FOR 10 SECONDS IN A IR-REFLOW APPLICATION.

CARD NOTES:
 ▲ CARD THICKNESS APPLIES ACROSS TABS AND INCLUDES PLATING AND /OR METALIZATION.
 ▲ EDGE BEVEL MUST BE PRESENT AND FREE OF CUTING BURRS FROM PCB AND CONTACT METATERIALS.
 3. RECOMMENDED PLATING FOR CONTACT PADS ELECTROLYTIC GOLD 0.76um.



dr	Pei-Ming Zheng	2006/11/01	projection 	mm 	size	A4	scale	1.500
eng	Andy Lu	2012/04/08			ecn no	ELX-DG-011231-1		
chr	Jian Huang	2012/04/09			rel level	Released		
appr	Pei-Ming Zheng	2012/04/09	product family		rev		F	
		title			dwg no		rev	
www.fci.com		cat. no.			10054995		F	
				Product - Customer Drw		sheet 4 of 5		

NOTES:

- 1. MATERIAL:
HOUSING: THERMOPLASTIC, HIGH TEMP,
UL 94V-0, COLOR BLACK.
CONTACTS: PHOSPHOR BRONZE.
HOLD DOWN: BRASS.
- 2. PLATING:
CONTACT: Ni UNDER PLATING. OTHERS SEE TABLE
HOLD DOWN: Ni UNDER PLATING. OTHERS SEE TABLE.
- 3. "LF" CODES ARE FOR LEAD FREE OPTIONS. SEE TABLE.
- 4. PRODUCT SPEC: GS-12-236.

10054995-□ □ □ □ □ (LF)

"LF" CODE ONLY EXISTS WHEN
2ND AND 4TH CODES ARE "0" OR "2".
SEE TABLE.

Packaging Code
Null: Tray
R: Tape & Reel 

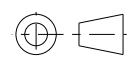
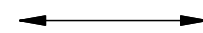

SOLDER TAIL PLATING
0: Pure Sn (Matte Tin).
1: Sn-Pb (Bright).

CONTACT PLATING
1 : Gold flash.
2 : Au 15 u" MIN.
3 : Au 30 u" MIN.

HOLD DOWN PLATING
0: Pure Sn (Bright Tin).
1: Sn-Pb (Bright).
2: Pure Sn (Matte Tin)

(RESERVED CODE)
0

PRODUCT NO.	HOLD DOWN PLATING	TERMINAL CONTACT POINT FINISH	SOLDER TAIL PLATING
10054995-0010LF	PURE Sn (Bright Tin)	Gold flash (0.038 um) MIN.	PURE Sn (Matte Tin) PLATING
10054995-0210LF	PURE Sn (Matte Tin)		
10054995-0110	Sn-Pb (Bright)		
10054995-0020LF	PURE Sn (Bright Tin)	Au 15 u" (0.38 um) MIN.	
10054995-0220LF	PURE Sn (Matte Tin)		
10054995-0120	Sn-Pb (Bright)		
10054995-0030LF	PURE Sn (Bright Tin)	Au 30 u" (0.76 um) MIN.	
10054995-0230LF	PURE Sn (Matte Tin)		
10054995-0130	Sn-Pb (Bright)		
10054995-0011	PURE Sn (Bright Tin)	Gold flash (0.038 um) MIN.	
10054995-0111	Sn-Pb (Bright)		
10054995-0021	PURE Sn (Bright Tin)	Au 15 u" (0.38 um) MIN.	
10054995-0121	Sn-Pb (Bright)		
10054995-0031	PURE Sn (Bright Tin)	Au 30 u" (0.76 um) MIN.	
10054995-0131	Sn-Pb (Bright)		

dr	Pei-Ming Zheng	2006/11/01	projection 	mm 	size	A4	scale	1.000		
eng	Andy Lu	2012/04/08			ecn no	ELX-DG-011231-1				
chr	Jian Huang	2012/04/09			rel level	Released				
appr	Pei-Ming Zheng	2012/04/09	product family							
		title			MINI PCI EXPRESS 52P		dwg no		10054995	
www.fci.com		cat. no.			Product - Customer Drw		sheet 5 of 5		rev	F



Copyright FCI.