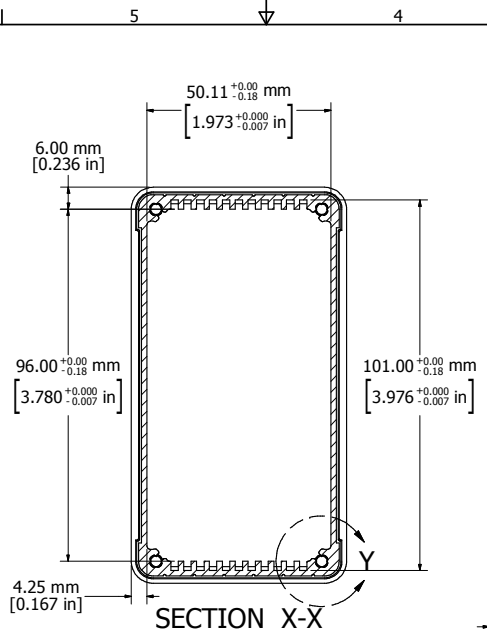
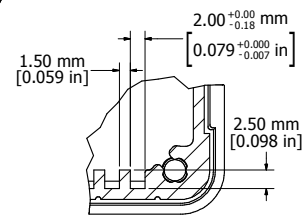


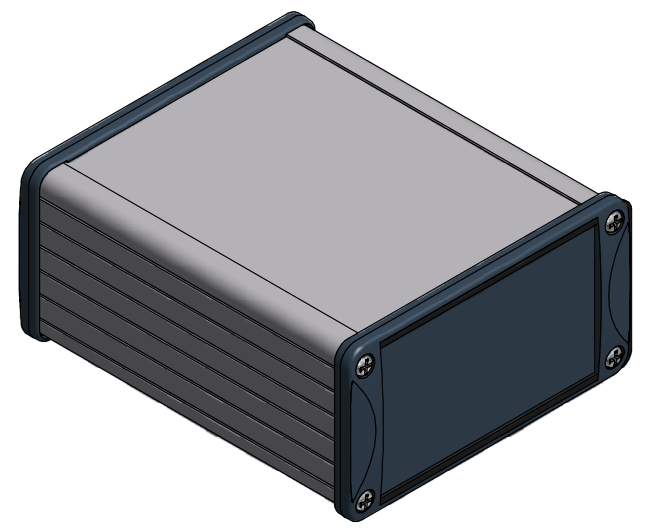
ASSEMBLY - VIEW FROM TOP



SECTION X-X



DETAIL Y



PROTECTION TO IP 65

Enclosures can be Factory Modified (Milling, Drilling, Printing etc.)
 Contact Factory mjm@hammondmfg.com for quotes
 Solid models of this enclosure available in STEP or IGES.

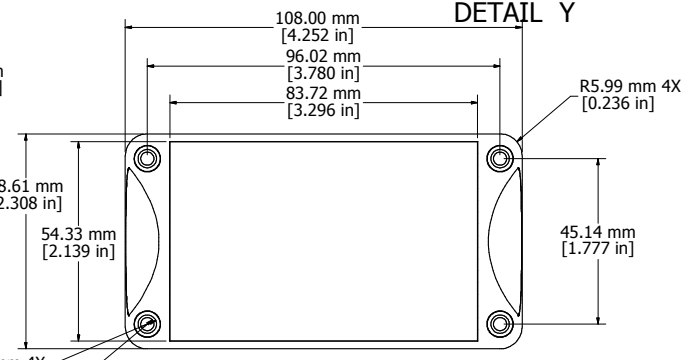
NOTE

Purchased assembly includes box, end panels, stainless steel #6 Taptight screws, self adhesive rubber feet, gaskets and O-Rings.
 Box made from Extruded Aluminum 6063.
 End panels made from Type 380 Diecast Aluminum with a black powder paint finish.

WATERPROOF 1457N1201	
PART NUMBERS	
Clear anodized box with black powder painted end panels	1457N1201
Black powder painted box and end panels	1457N1201BK
EMI/RFI SHIELDED (IP 54)	
Clear anodized box with black powder painted end panels	1457N1201E
Black powder painted box and end panels	1457N1201EBK
ACCESSORIES	
See website for accessories.	



Fits 120mm (4.724") X 100mm (3.937") PCB
 Note: Aluminum extrusion has a tolerance of +/- .02"



END PANEL - VIEW FROM OUTSIDE

- Ø5.00 mm ∇ 0.60 mm 4X
- Ø3.60 mm ∇ 8.00 mm
- └ 7.00 mm ∇ 2.50 mm 4X