

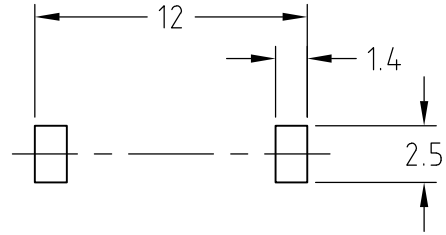
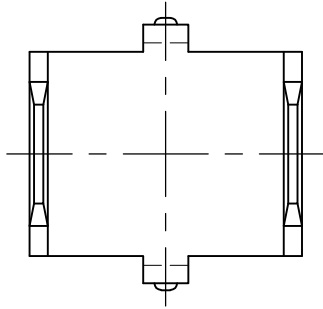
LOC J	DIST —	REVISIONS 変更			
P	LTR	DESCRIPTION	DATE	DWN	APVD
	B	REDRAWN WITH CHANGE ECR-06-001603	20JAN06	J.S	N.Y
	B1	REVISED PER ECO-10-000443	18JAN10	KK	HMR

注記：
1. 本製品の旧管理型番は3111-0である。

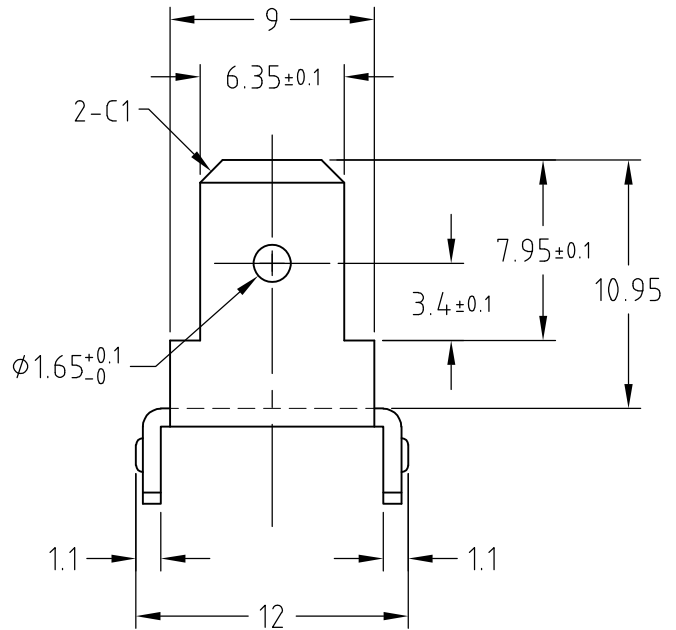
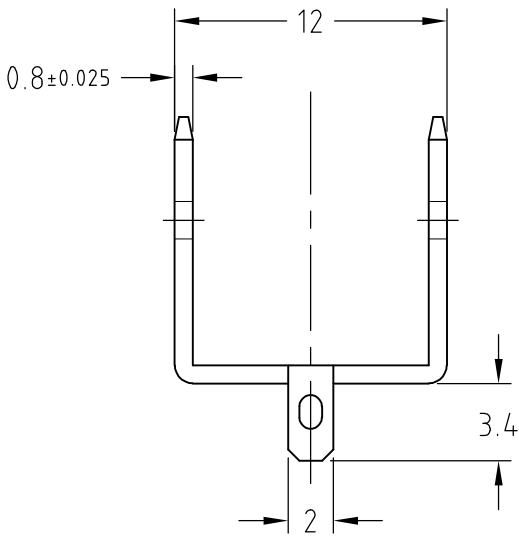
本図-1を示す。
AS SHOWN-1

NOTE:
1. THE FORMER P/N OF THIS PRODUCT:3111-0

△ OBSOLETE PARTS: OBSOLETE CIS STREAMLINING PER D.RENAUD/D.SINISI



参考:取付基板穴寸法
(NOTE: APPLICABLE P.C.B LAY OUT)



△ 2	OBSOLETE	BRASS WITH TIN PLATING	—1565047-1—
		MATERIAL AND FINISH	PART NUMBER

THIS DRAWING IS UNPUBLISHED.

ALL RIGHTS RESERVED.

BY TYCO ELECTRONICS CORPORATION.

© COPYRIGHT

DIMENSIONS:
単位: 耗
mm

DWN Y.YAMADA 26NOV01

MATERIAL
材料

SEE TABLE

FINISH
仕上

SEE TABLE

TOLERANCES UNLESS
OTHERWISE SPECIFIED:
一般公差

CHK M.SHINDO 26NOV01

Tyco Electronics

Tyco Electronics AMP K.K.
Kawasaki, Japan

APVD M.SHINDO 26NOV01

PRODUCT SPEC
製品規格

NAME
名称

250 シリーズ タブ (TYPE K)

±0.2

APPLICATION SPEC
取付適用規格

SIZE

A4

CAGE CODE

00779

DRAWING NO
番号

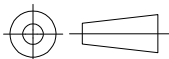
1565047

RESTRICTED TO

—

ANGLES ±3°

WEIGHT



CUSTOMER DRAWING

SCALE
尺度

3:1

SHEET

1

OF

7

REV

B1

LOC J	DIST —	REVISIONS 変更			
P	LTR	DESCRIPTION	DATE	DWN	APVD
—	—	SEE SHEET 1	—	—	—

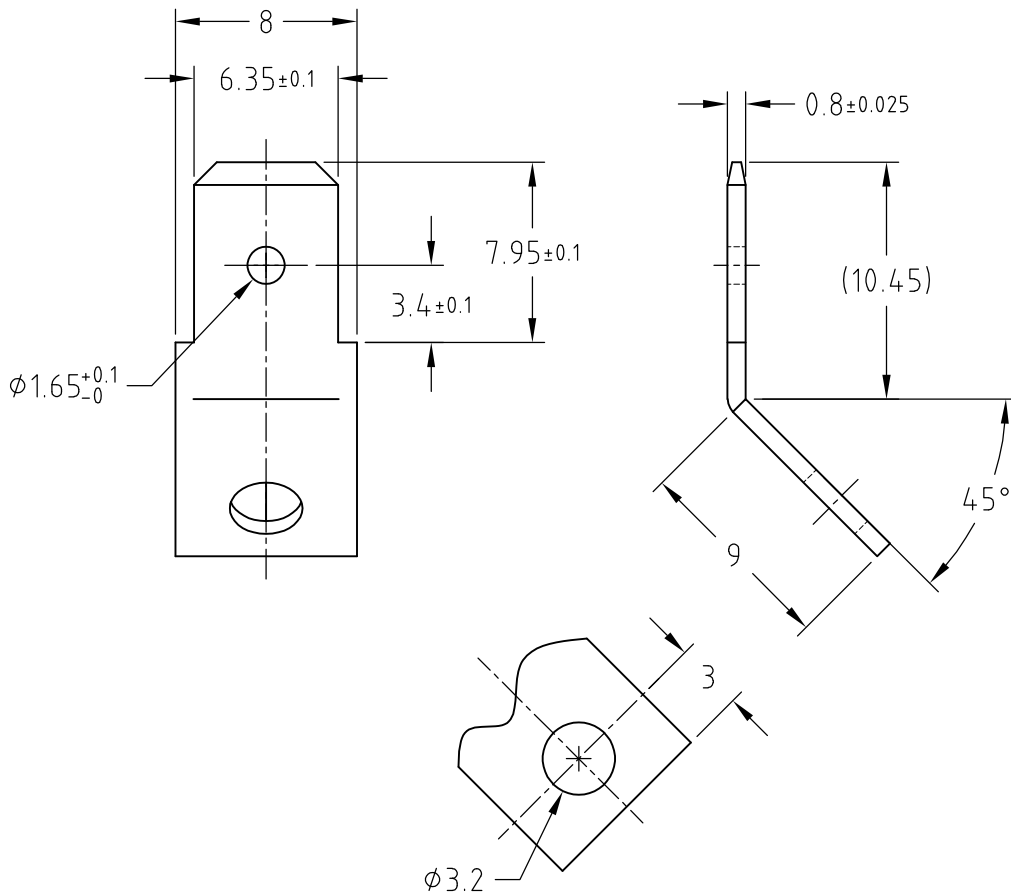
本図-2示す。
AS SHOWN-2

注記:

1. 本製品の旧管理型番は3149-0である。

NOTE:

1. THE FORMER P/N OF THIS PRODUCT:3149-0



BRASS WITH TIN PLATING	1565047-2
MATERIAL AND FINISH	PART NUMBER

THIS DRAWING IS UNPUBLISHED.

ALL RIGHTS RESERVED.

COPYRIGHT BY TYCO ELECTRONICS CORPORATION.

DIMENSIONS: 単位: 耗 mm	DWN Y.YAMADA	26NOV01	MATERIAL 材料	SEE TABLE	FINISH 仕上	SEE TABLE
	CHK M.SHINDO	26NOV01	Tyco Electronics AMP K.K. Kawasaki, Japan			
TOLERANCES UNLESS OTHERWISE SPECIFIED: 一般公差 ±0.2 ANGLES ±3°	APVD M.SHINDO	26NOV01				
	PRODUCT SPEC 製品規格	APPLICATION SPEC 取付適用規格		SIZE	CAGE CODE	DRAWING NO 番号
	WEIGHT	A4	00779	C-1565047		—
	CUSTOMER DRAWING			SCALE 尺度	3:1	SHEET 2
						REV B1

LOC J	DIST —	REVISIONS 変更			
P	LTR	DESCRIPTION	DATE	DWN	APVD
	—	SEE SHEET 1	—	—	—

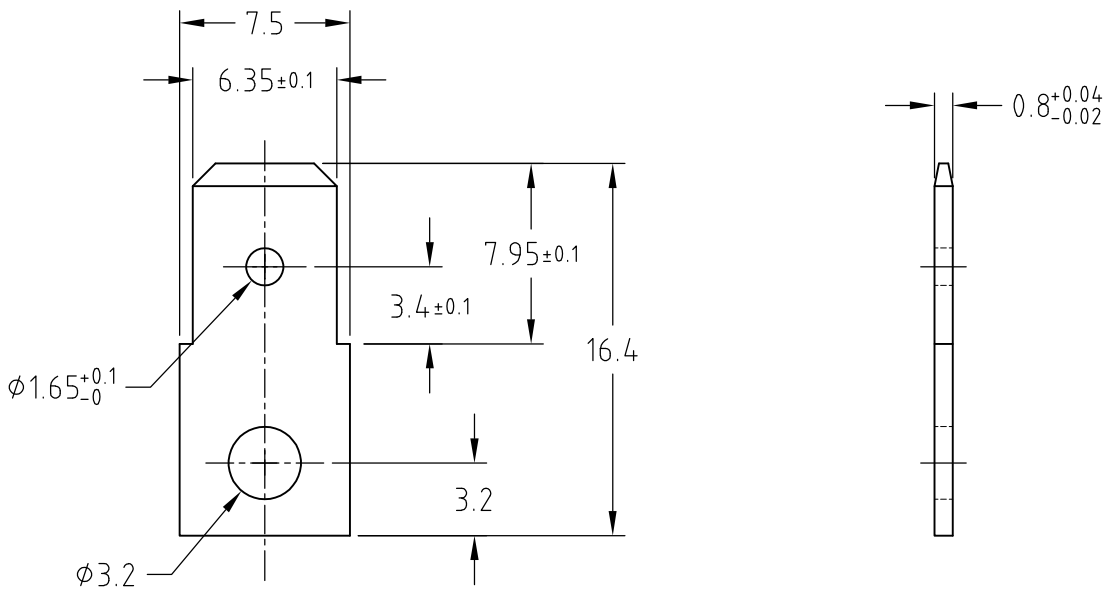
本図-3を示す。
AS SHOWN-3

注記：

1. 本製品の旧管理型番は3158-0である。

NOTE:

1. THE FORMER P/N OF THIS PRODUCT:3158-0



RELEASED FOR PUBLICATION

ALL RIGHTS RESERVED.

BY TYCO ELECTRONICS CORPORATION.

THIS DRAWING IS UNPUBLISHED.

BRASS WITH TIN PLATING	1565047-3
MATERIAL AND FINISH	PART NUMBER

DIMENSIONS: 単位： 耗 mm	DWN Y,YAMADA	26NOV01	MATERIAL 材料	SEE TABLE	FINISH 仕上	SEE TABLE
	CHK M.SHINDO	26NOV01	Tyco Electronics AMP K.K. Kawasaki, Japan			
TOLERANCES UNLESS OTHERWISE SPECIFIED: 一般公差	APVD M.SHINDO	26NOV01				
±0.2	PRODUCT SPEC 製品規格		NAME 名称	250 シリーズ タブ (TYPE K)		
ANGLES ±3°	APPLICATION SPEC 取付適用規格		SIZE	CAGE CODE	DRAWING NO 番号	RESTRICTED TO
	WEIGHT		A4	00779	1565047	—
	CUSTOMER DRAWING			SCALE 尺度	3:1	SHEET 3
					REV	B1

LOC J	DIST —	REVISIONS 変更			
P	LTR	DESCRIPTION	DATE	DWN	APVD
	—	SEE SHEET 1	—	—	—

本図-4を示す。
AS SHOWN-4

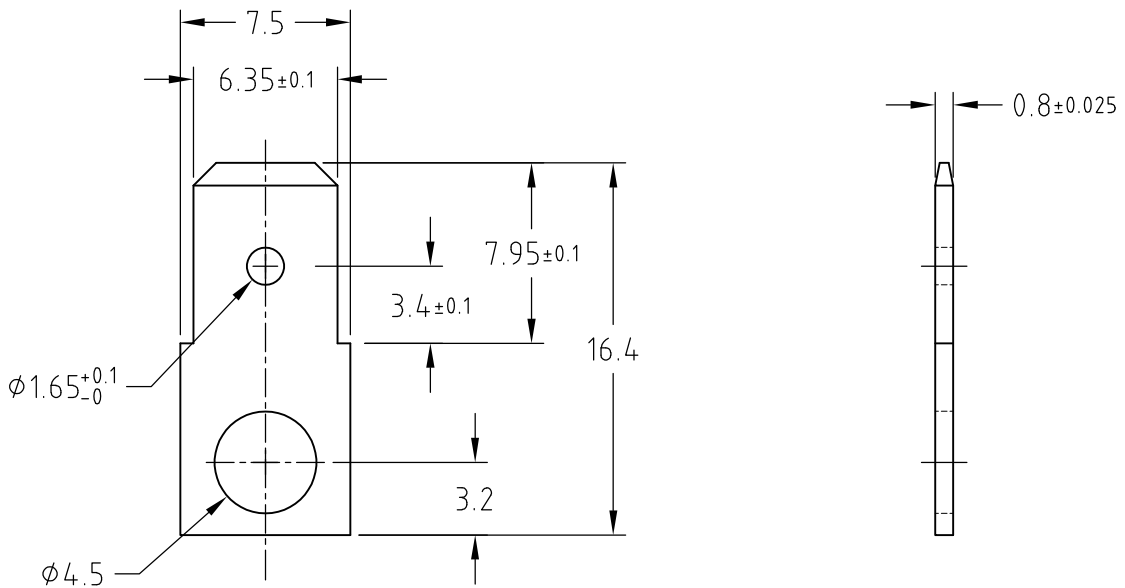
注記:

1. 本製品の旧管理型番は3170-0である。

NOTE:

1. THE FORMER P/N OF THIS PRODUCT:3170-0

△ OBSOLETE PARTS: OBSOLETE CIS STREAMLINING PER D.RENAUD/D.SINISI



△ 2	OBSOLETE	BRASS WITH TIN PLATING	1565047-4
		MATERIAL AND FINISH	PART NUMBER

THIS DRAWING IS UNPUBLISHED.

ALL RIGHTS RESERVED.

BY TYCO ELECTRONICS CORPORATION.

© COPYRIGHT

DIMENSIONS: 単位: 耗 mm	DWN Y,YAMADA	26NOV01	MATERIAL 材料	SEE TABLE	FINISH 仕上	SEE TABLE
	CHK M.SHINDO	26NOV01	Tyco Electronics AMP K.K. Kawasaki, Japan			
TOLERANCES UNLESS OTHERWISE SPECIFIED: 一般公差	APVD M.SHINDO	26NOV01				
±0.2	PRODUCT SPEC 製品規格		SIZE	CAGE CODE	DRAWING NO 番号	RESTRICTED TO
ANGLES ±3°	APPLICATION SPEC 取付適用規格		A4	00779	1565047	—
	WEIGHT		CUSTOMER DRAWING			SCALE 尺度
						3:1
						SHEET 4 OF 7
						REV B1

LOC J	DIST —	REVISIONS 変更			DATE	DWN	APVD
		P	LTR	DESCRIPTION			
				SEE SHEET 1	—	—	—

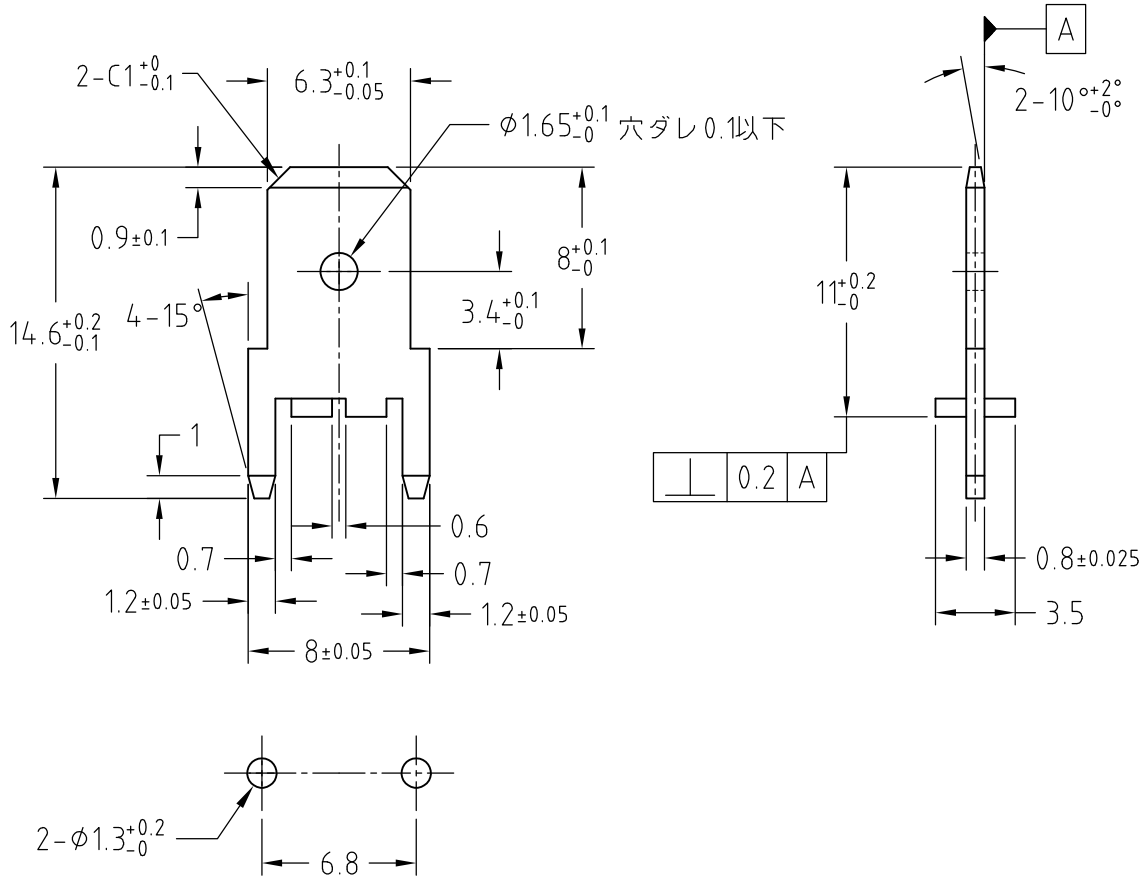
本図-5を示す。
AS SHOWN-5

注記:

1. 本製品の旧管理型番は3191-0である。

NOTE:

1. THE FORMER P/N OF THIS PRODUCT:3191-0



参考:取付基板穴寸法
(NOTE: APPLICABLE P.C.B LAY OUT)

BRASS WITH TIN PLATING	1565047-5
MATERIAL AND FINISH	PART NUMBER

DIMENSIONS: 単位: 耗 mm	DWN Y.YAMADA	26NOV01	MATERIAL 材料	SEE TABLE	FINISH 仕上	SEE TABLE
	CHK M.SHINDO	26NOV01	Tyco Electronics AMP K.K. Kawasaki, Japan			
TOLERANCES UNLESS OTHERWISE SPECIFIED: 一般公差	APVD M.SHINDO	26NOV01				
± 0.2	PRODUCT SPEC 製品規格		NAME 名称			
ANGLES $\pm 3^\circ$	APPLICATION SPEC 取付適用規格		250 シリーズ タブ (TYPE K)			
	WEIGHT		SIZE	CAGE CODE	DRAWING NO 番号	RESTRICTED TO
	CUSTOMER DRAWING		A4	00779	C-1565047	—
			SCALE 尺度	3:1	SHEET 5	OF 7
					REV B1	

THIS DRAWING IS UNPUBLISHED.

ALL RIGHTS RESERVED.

BY TYCO ELECTRONICS CORPORATION.

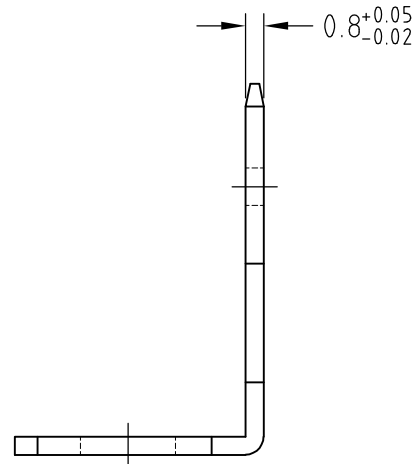
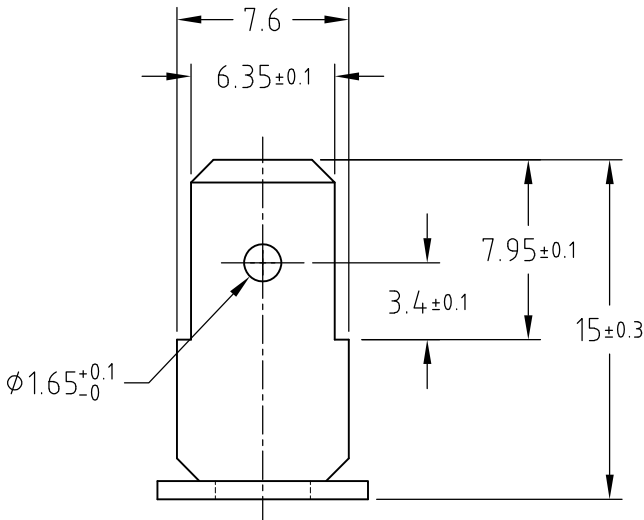
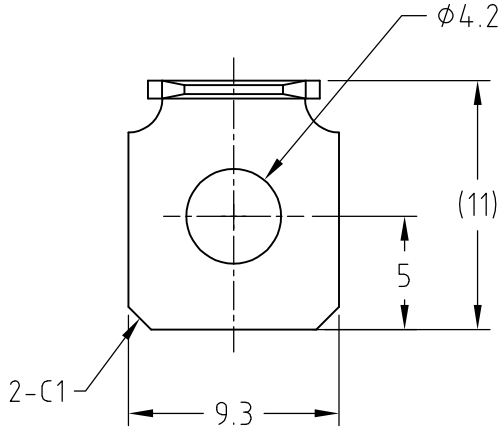
COPYRIGHT

LOC J	DIST —	REVISIONS 変更			DATE	DWN	APVD
		P	LTR	DESCRIPTION			
				SEE SHEET 1	—	—	—

注記：
1. 本製品の旧管理型番は4721-4である。

本図-6を示す。
AS SHOWN-6

NOTE:
1. THE FORMER P/N OF THIS PRODUCT:4721-4



RELEASED FOR PUBLICATION

ALL RIGHTS RESERVED.

BY TYCO ELECTRONICS CORPORATION.

THIS DRAWING IS UNPUBLISHED.

BRASS WITH TIN PLATING	1565047-6
MATERIAL AND FINISH	PART NUMBER

DIMENSIONS: 単位：耗 mm	DWN Y.YAMADA	26NOV01	MATERIAL 材料	SEE TABLE	FINISH 仕上	SEE TABLE
	CHK M.SHINDO	26NOV01	Tyco Electronics AMP K.K. Kawasaki, Japan			
TOLERANCES UNLESS OTHERWISE SPECIFIED: 一般公差	APVD M.SHINDO	26NOV01				
±0.2	PRODUCT SPEC 製品規格 APPLICATION SPEC 取付適用規格		SIZE	CAGE CODE	DRAWING NO 番号	RESTRICTED TO
ANGLES ±3°			A4	00779	C-1565047	—
WEIGHT 			CUSTOMER DRAWING			
			SCALE 尺度	3:1	SHEET 6	OF 7
			REV B1			

LOC J	DIST —	REVISIONS 変更			
P	LTR	DESCRIPTION	DATE	DWN	APVD
	—	SEE SHEET 1	—	—	—

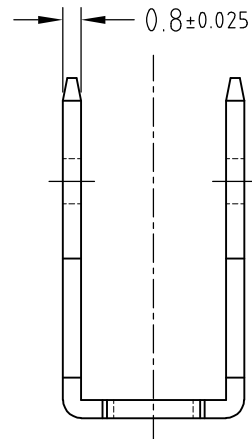
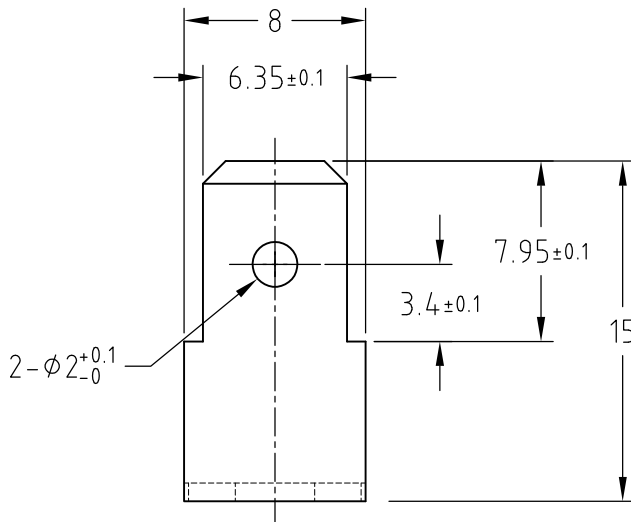
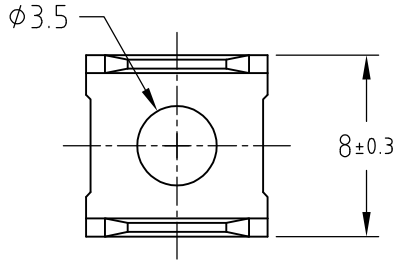
本図-7を示す。
AS SHOWN-7

注記：

1. 本製品の旧管理型番は4995-0である。

NOTE:

1. THE FORMER P/N OF THIS PRODUCT:4995-0



RELEASED FOR PUBLICATION

ALL RIGHTS RESERVED.

BY TYCO ELECTRONICS CORPORATION.

© COPYRIGHT

BRASS WITH TIN PLATING	1565047-7
MATERIAL AND FINISH	PART NUMBER

DIMENSIONS: 単位：耗 mm	DWN Y.YAMADA	26NOV01	MATERIAL 材料	SEE TABLE	FINISH 仕上	SEE TABLE
	CHK M.SHINDO	26NOV01	Tyco Electronics AMP K.K. Kawasaki, Japan			
TOLERANCES UNLESS OTHERWISE SPECIFIED: 一般公差	APVD M.SHINDO	26NOV01				
±0.2	PRODUCT SPEC 製品規格 APPLICATION SPEC 取付適用規格		SIZE	CAGE CODE	DRAWING NO 番号	RESTRICTED TO
ANGLES ±3°			A4	00779	1565047	—
			WEIGHT		CUSTOMER DRAWING	
			SCALE 尺度	3:1	SHEET 7	OF 7
					REV	B1