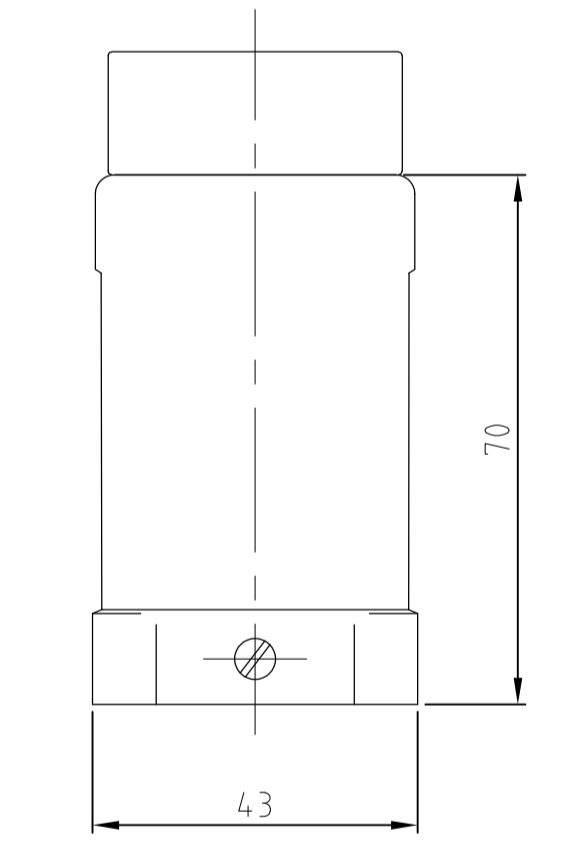
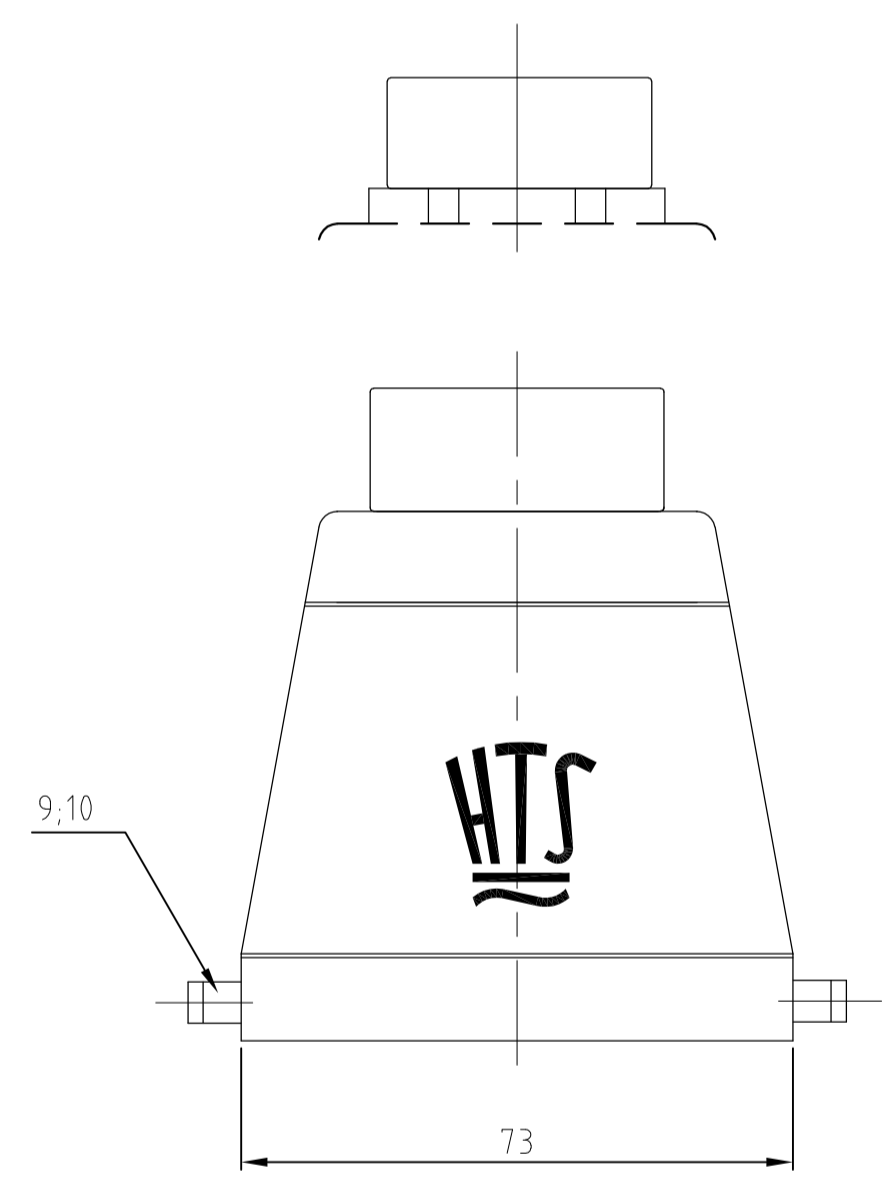
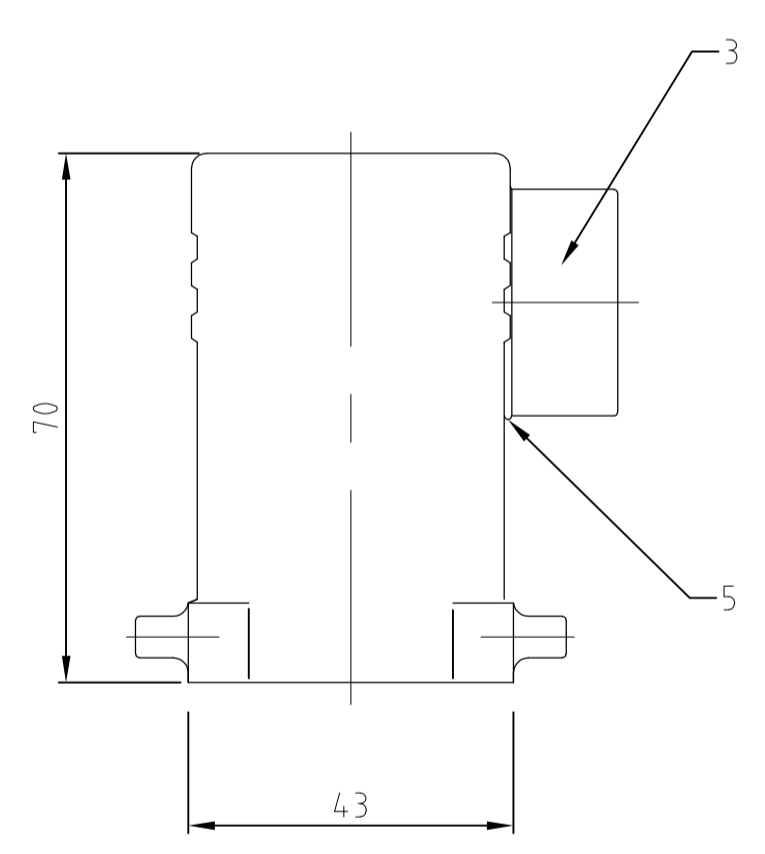
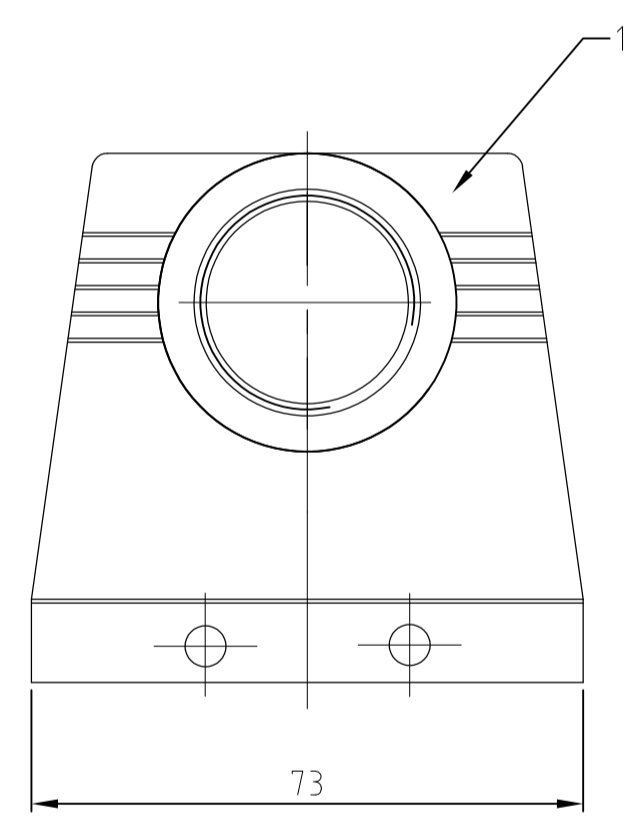
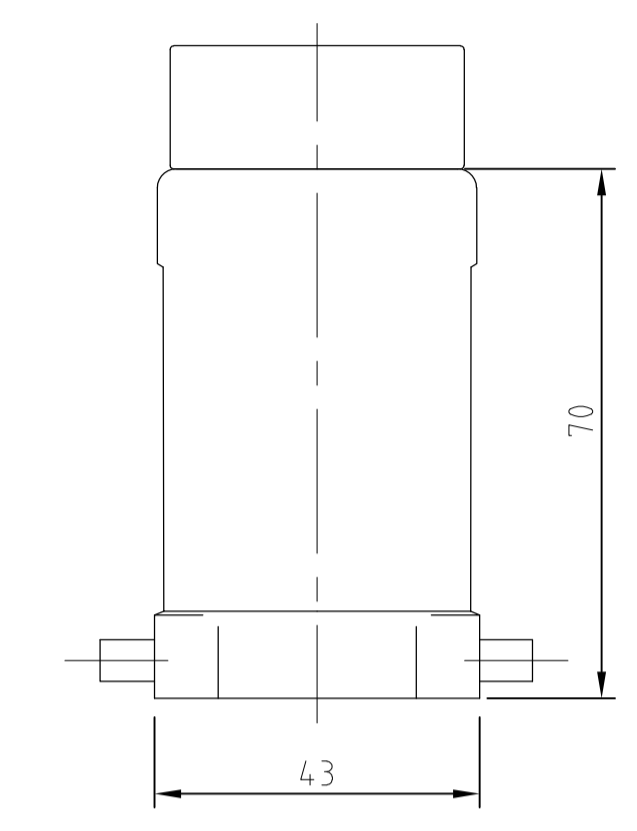
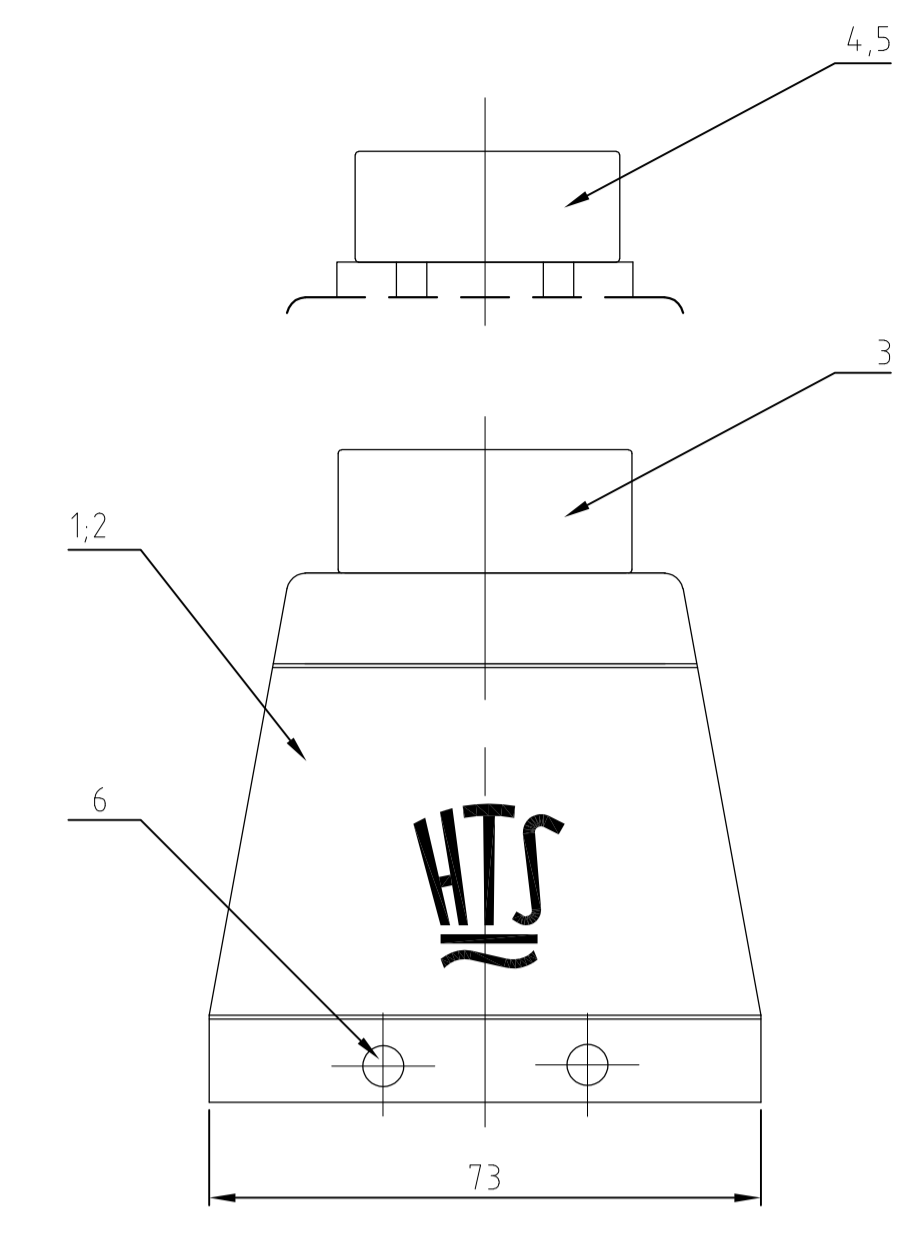
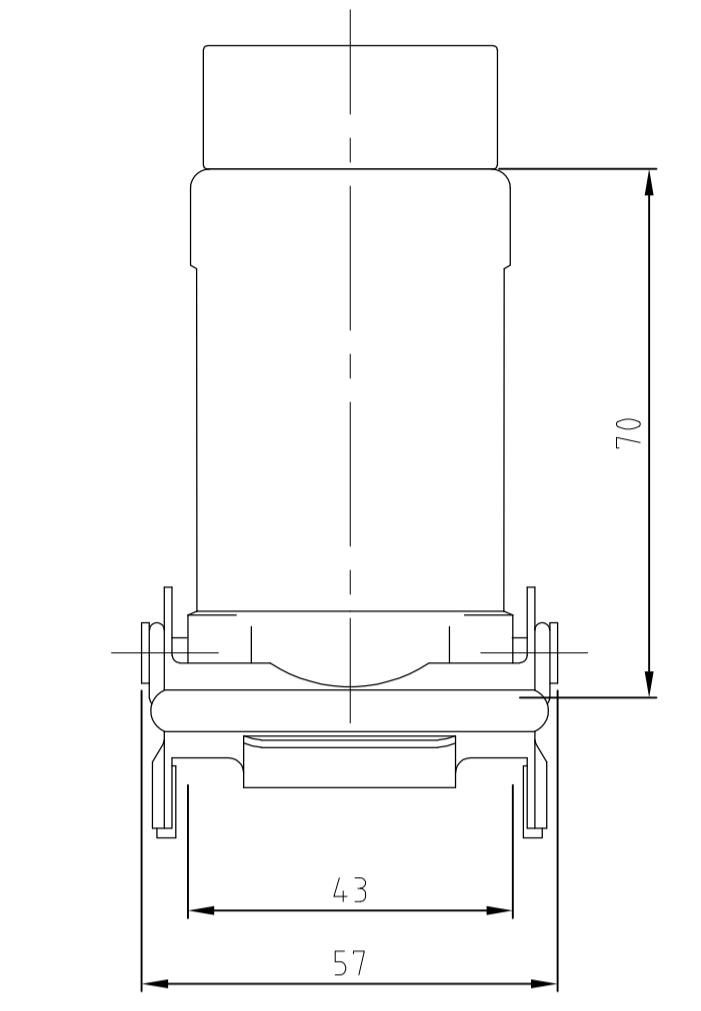
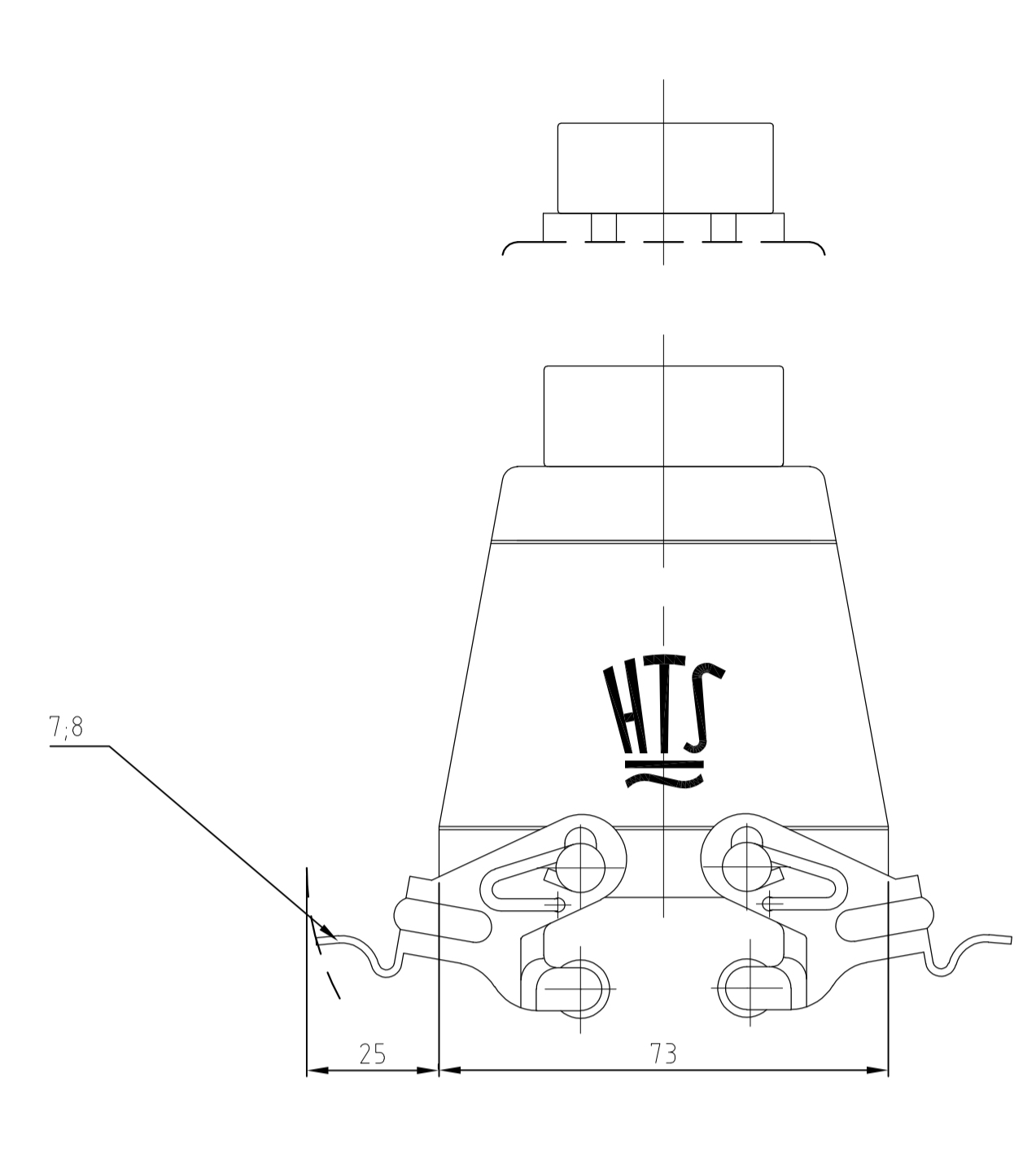


REV. NO.	DATE	BY	CHK	APPV
B1	23.03.06	SR	ST	
B2	06NOV09	KK	AEG	
B3	01JUN10	RK	SRE	



3 OBSOLETE PARTS: OBSOLETE CIS STREAMLINING PER D.RENAUD/D.SINISI

QTY	DESCRIPTION / BENENNUNG	MATERIAL	SURFACE / OBERFLÄCHE	COLOR / FARBE	ITEM NO POS.	REMARKS / BEMERKUNGEN
10	clip bolt	stainless steel			10	
9	clip bolt	steel	zink plated	blue	9	
8	locking clip	stainless steel			8	
7	locking clip	steel	zink plated	blue	7	
6	clip bolt	stainless steel			6	
5	O-Ring	Neoprene		black	5	
4	hexagonal adaptor 6kt PG21	brass	nickel plated		4	
3	adaptor	brass	nickel plated		3	
2	hood HD	aluminium/ALU	aluminium oxid	black	2	
1	hood HD	aluminium/ALU		grey	1	

QTY	DESCRIPTION / BENENNUNG	MATERIAL	SURFACE / OBERFLÄCHE	COLOR / FARBE	ITEM NO POS.	REMARKS / BEMERKUNGEN
0-2	clip bolt	stainless steel				
2	clip bolt	steel	zink plated	blue		
7	locking clip	stainless steel				
1-7	locking clip	steel	zink plated	blue		
2-1	clip bolt	stainless steel				
1-1	O-Ring	Neoprene		black		
2-6	hexagonal adaptor 6kt PG21	brass	nickel plated			
1-6	adaptor	brass	nickel plated			

HD-24-STW-1.21.Z	OBSOLETE					
HD-K-24-STP-GR-1.21.Z	OBSOLETE					
HD-24-STP-GR-1.21.Z	OBSOLETE					
HD-K-24-S10-VS-1.21.Z	OBSOLETE					
HD-24-STP-VS-1.21.Z	OBSOLETE					
HD-K-24-S10-1.21.Z	OBSOLETE					
HD-24-STP-1.21.Z	OBSOLETE					

THIS DRAWING IS A CONTROLLED DOCUMENT. DIESE ZEICHNUNG IST EIN KONTROLLIERTES DOKUMENT.	DIN 23.06.98 Kramer	Tyco Electronics Corporation 53819 Neunkirchen, Germany
DIMENSIONS: mm TOLERANCES UNLESS OTHERWISE SPECIFIED: ALL DIMENSIONS	24.06.98 Schweiger	HOOD STECKERGEH USE HD.24.STO/STW.1.21.Z
PRODUCT SPEC: PRODUKTSPEZ	APVD	SCALE: 1:1
APPLICATION SPEC: VERARBEITUNGSSPEZ	WEIGHT: —	SHEET 1 OF 1
MATERIAL: —	FINISH / OBERFLÄCHE / FARBE: —	REV B3