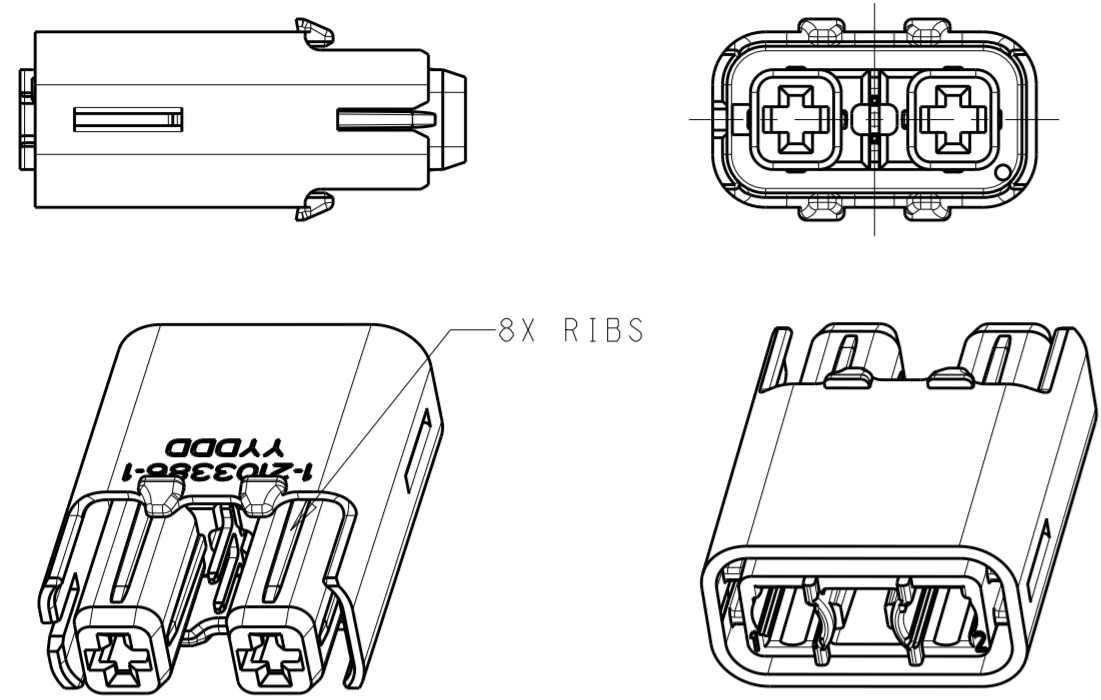
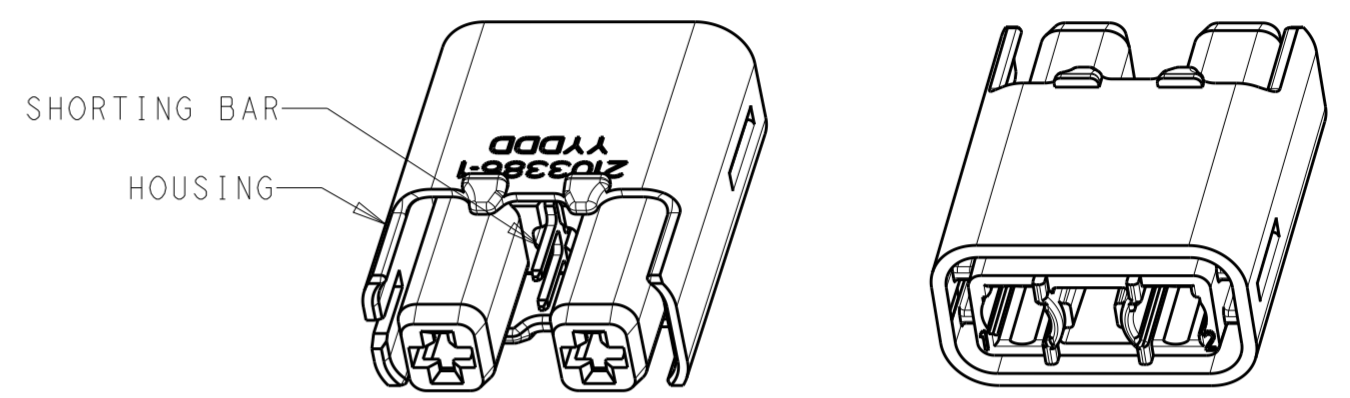
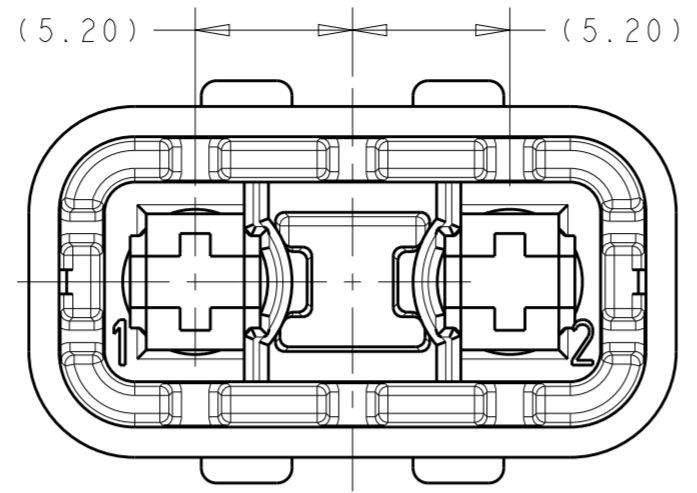


THIS DRAWING IS UNPUBLISHED. RELEASED FOR PUBLICATION 20
 © COPYRIGHT 20 BY TYCO ELECTRONICS CORPORATION ALL RIGHTS RESERVED.

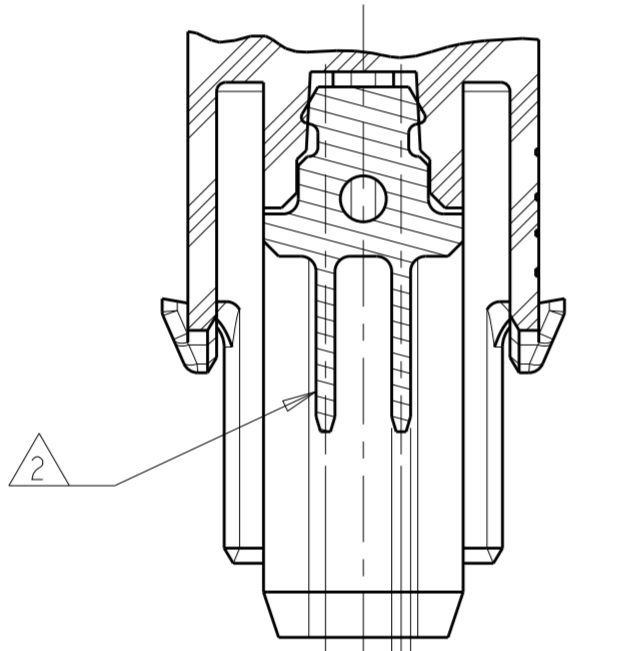
LOC	DIST	REVISIONS			
P	LTR	DESCRIPTION	DATE	DWN	APVD
	A	ECO-13-017852	13NOV2013	DR	DR
	A1	ECO-14-000545	13JAN2014	DR	DR
	A2	ECO-14-001314	27JAN2014	DR	DR



6 5 1-2103386-1
 SAME AS 2103386-1 EXCEPT AS SHOWN
 SCALE 2:1

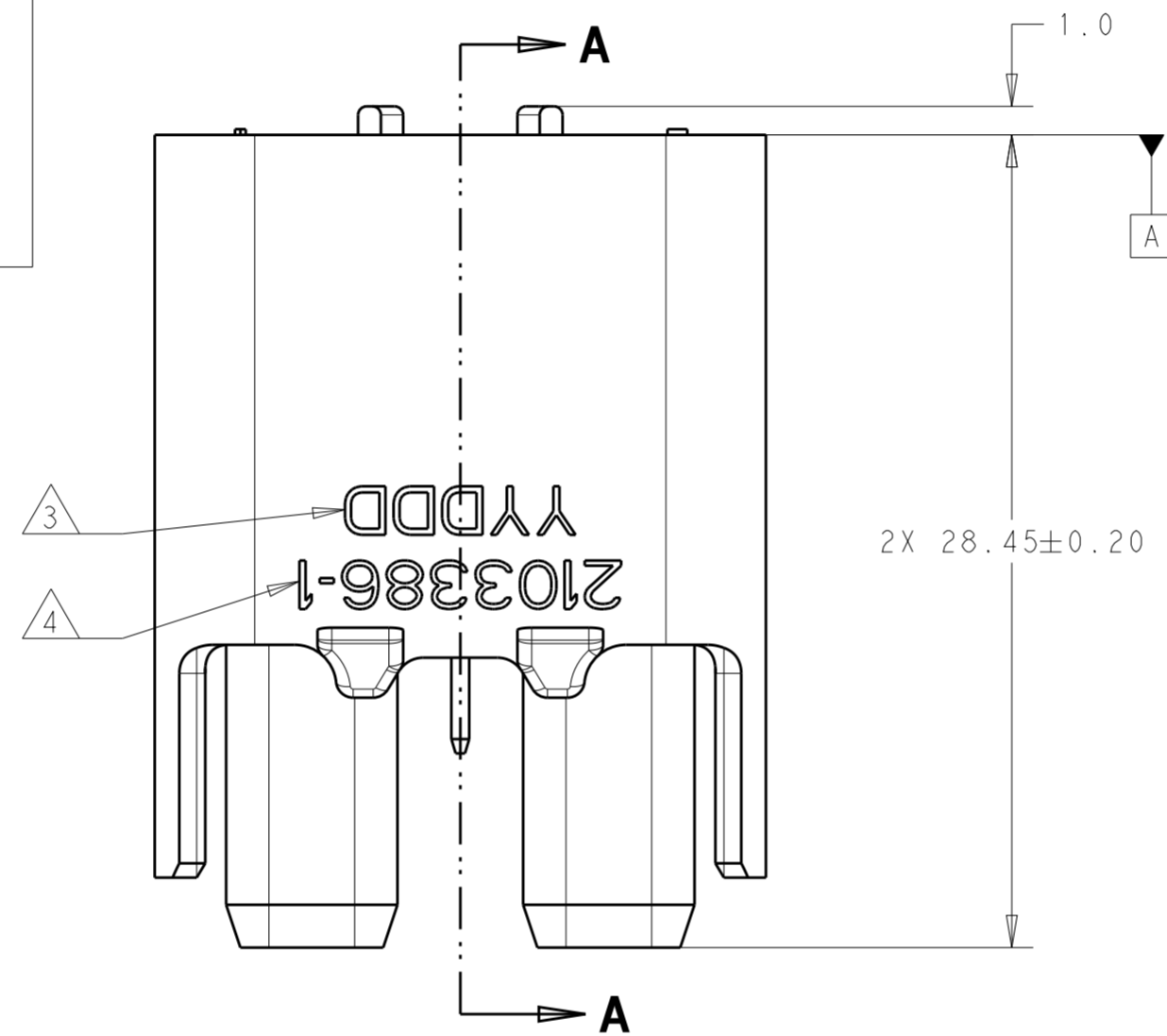


SCALE 2:1

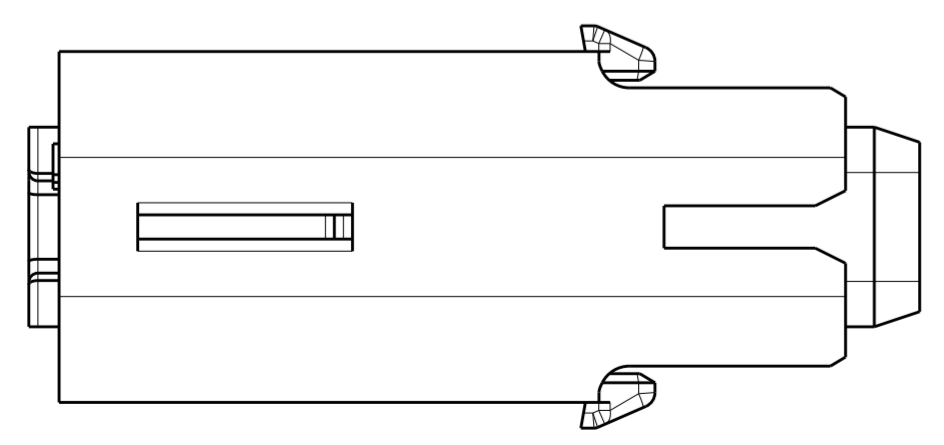


SECTION A-A

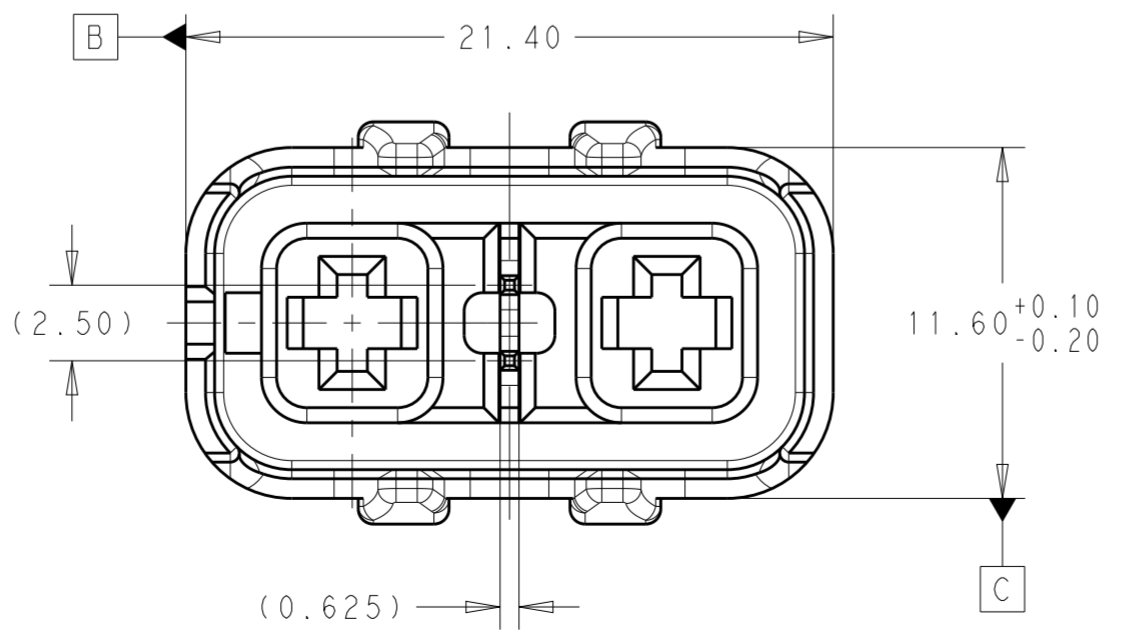
(0.625)
 (2.50)



- 1 MATERIAL:
 HOUSING: PA66 33%GF
 SHORTING BAR: Ag PLATED COPPER ALLOY
- 2 SHORTING BAR INSTALLED AS SHOWN
- 3 JULIAN DATE CODE IN THIS LOCATION AT ASSEMBLY
- 4 TE PART NUMBER IN THIS LOCATION AT ASSEMBLY
- 5 PRELIMINARY PART - NOT RELEASED FOR PRODUCTION
- 6 THIS PART HAS NOT COMPLETED VALIDATION TESTING



2103386-1 SHOWN



4.00 g	ORANGE	INNER HSG SUB-ASSY, HVA280-2PHM, VIB	2	6 5 1-2103386-1
4.00 g	BLACK	INNER HSG SUB-ASSY, HVA280-2PHM	A	2103386-1
WEIGHT	COLOR	DESCRIPTION	REV	PART NUMBER

THIS DRAWING IS A CONTROLLED DOCUMENT.		DWN D. RHEIN 08JAN2013	TE Connectivity	
DIMENSIONS: mm		CHK D. RHEIN 08JAN2013		
		APVD A. GUANCO 08JAN2013		
TOLERANCES UNLESS OTHERWISE SPECIFIED:		NAME INNER HOUSING SUB-ASSY HVA280-2PHM		
0 PLC ±		PRODUCT SPEC		
1 PLC ±0.2		APPLICATION SPEC		
2 PLC ±0.10		SIZE CAGE CODE DRAWING NO		
3 PLC ±		WEIGHT SEE TABLE A200779 C-2103386		
4 PLC ±		RESTRICTED TO		
ANGLES ±1°		SCALE 4:1 SHEET 1 OF 1 REV A2		
FINISH		Customer Drawing		