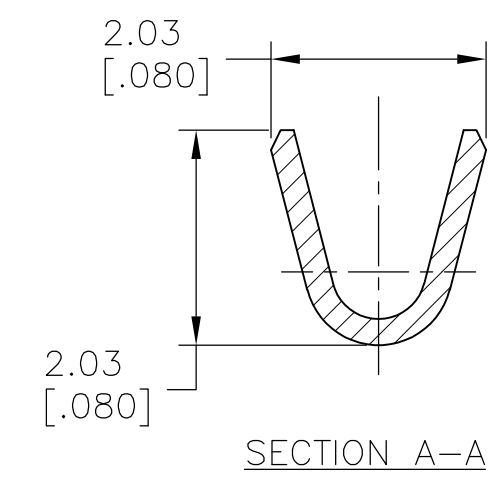
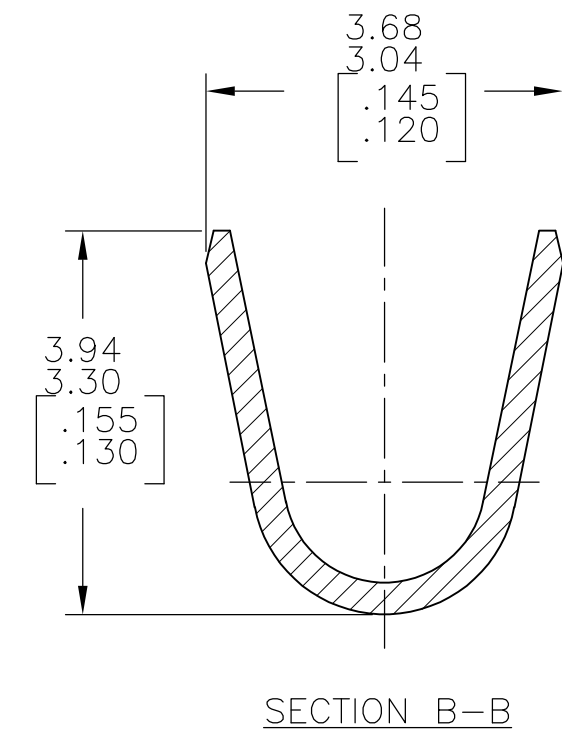
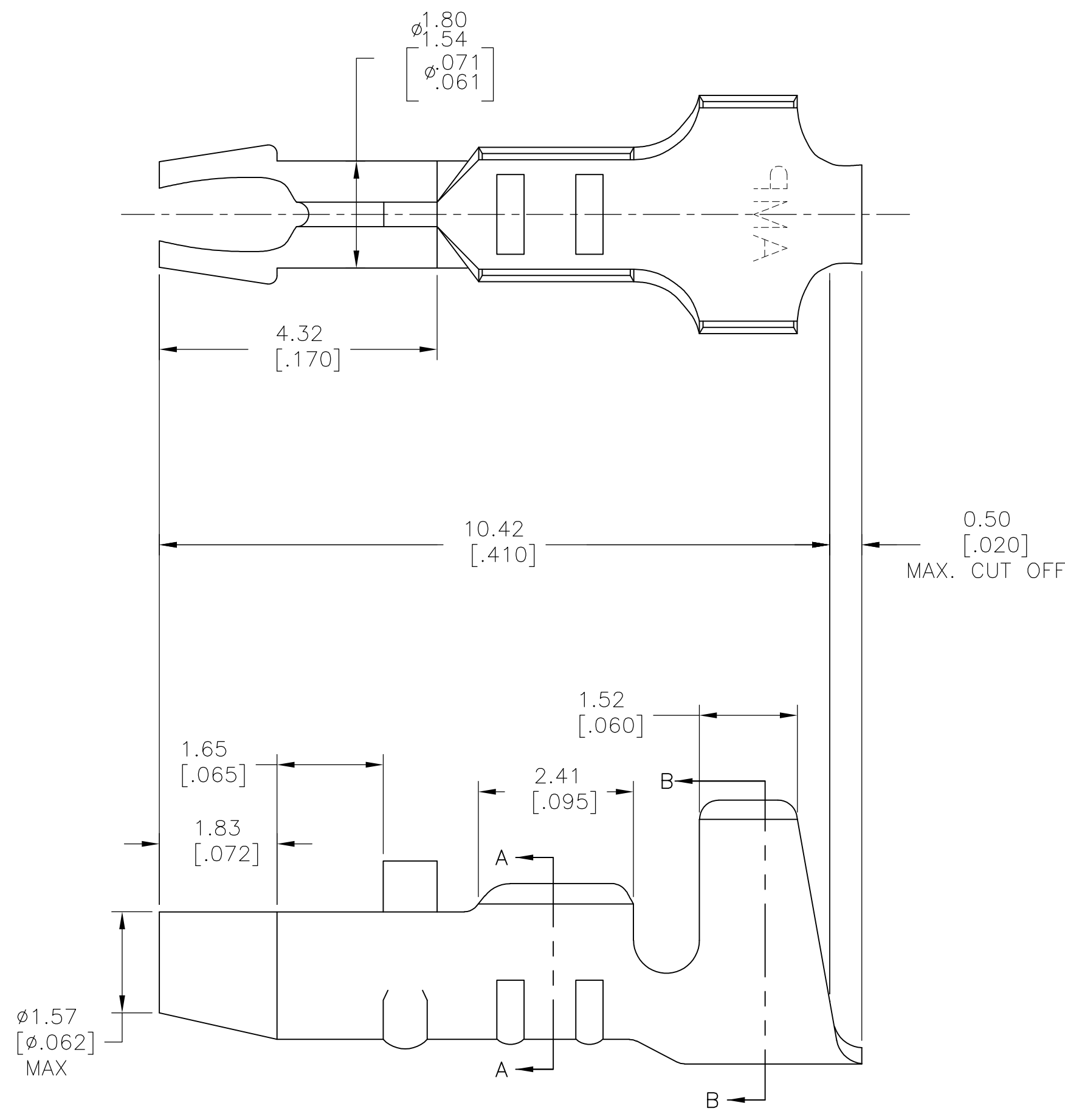


THIS DRAWING IS UNPUBLISHED. RELEASED FOR PUBLICATION
 © COPYRIGHT - By - ALL RIGHTS RESERVED.

LOC		DIST		REVISIONS			
P	LTR	DESCRIPTION		DATE	DWN	APVD	
	C1	REDRAWN PER ECR-15-001205		29JAN2015	NK	CJ	

- CONNECTS #24-#20 AWG STRANDED WIRE.
- INSULATION $\phi 1.52-\phi 2.79$ [.060-.110].
- TO BE SOLDERED INTO A 1.60 [.063] THK. PC BOARD WITH A 1.90 [.075] 1.68 [.066] HOLE DIA.



SUPERSEDED BY 154645-2	PRE TIN	BRASS	154645-4
OBSOLETE	POST TIN OVER NICKEL	PHOS BRZE.	154645-3
OBSOLETE	POST TIN OVER NICKEL	BRASS	154645-2
OBSOLETE	NONE	BRASS	154645-1
	FINISH	MATERIAL	PART NUMBER

THIS DRAWING IS A CONTROLLED DOCUMENT.		DWN	29JAN2015	 TE Connectivity AMP-IN TERMINAL																			
		CHK	29JAN2015																				
		APVD	29JAN2015																				
		PRODUCT SPEC																					
DIMENSIONS: mm [INCHES]		TOLERANCES UNLESS OTHERWISE SPECIFIED:		NAME																			
<table border="1"> <tr><td>0 PLC</td><td>±</td><td>-</td></tr> <tr><td>1 PLC</td><td>±</td><td>-</td></tr> <tr><td>2 PLC</td><td>±</td><td>0.25 [.010]</td></tr> <tr><td>3 PLC</td><td>±</td><td>-</td></tr> <tr><td>4 PLC</td><td>±</td><td>-</td></tr> <tr><td>ANGLES</td><td>±</td><td>-</td></tr> </table>		0 PLC	±	-	1 PLC	±	-	2 PLC	±	0.25 [.010]	3 PLC	±	-	4 PLC	±	-	ANGLES	±	-	FINISH		SIZE	
0 PLC	±	-																					
1 PLC	±	-																					
2 PLC	±	0.25 [.010]																					
3 PLC	±	-																					
4 PLC	±	-																					
ANGLES	±	-																					
WIRE RANGE		MATERIAL		CAGE CODE																			
24-20		SEE TABLE		00779																			
		SEE TABLE		DRAWING NO																			
				154645																			
		WEIGHT		RESTRICTED TO																			
		-		-																			
		CUSTOMER DRAWING		SCALE																			
				14:1																			
				SHEET																			
				1 OF 1																			
				REV																			
				C1																			