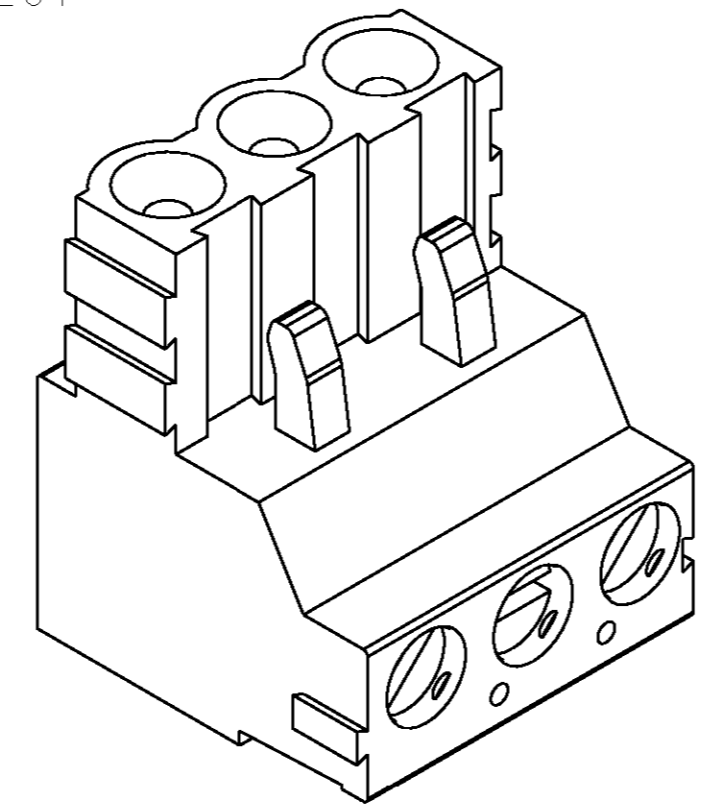
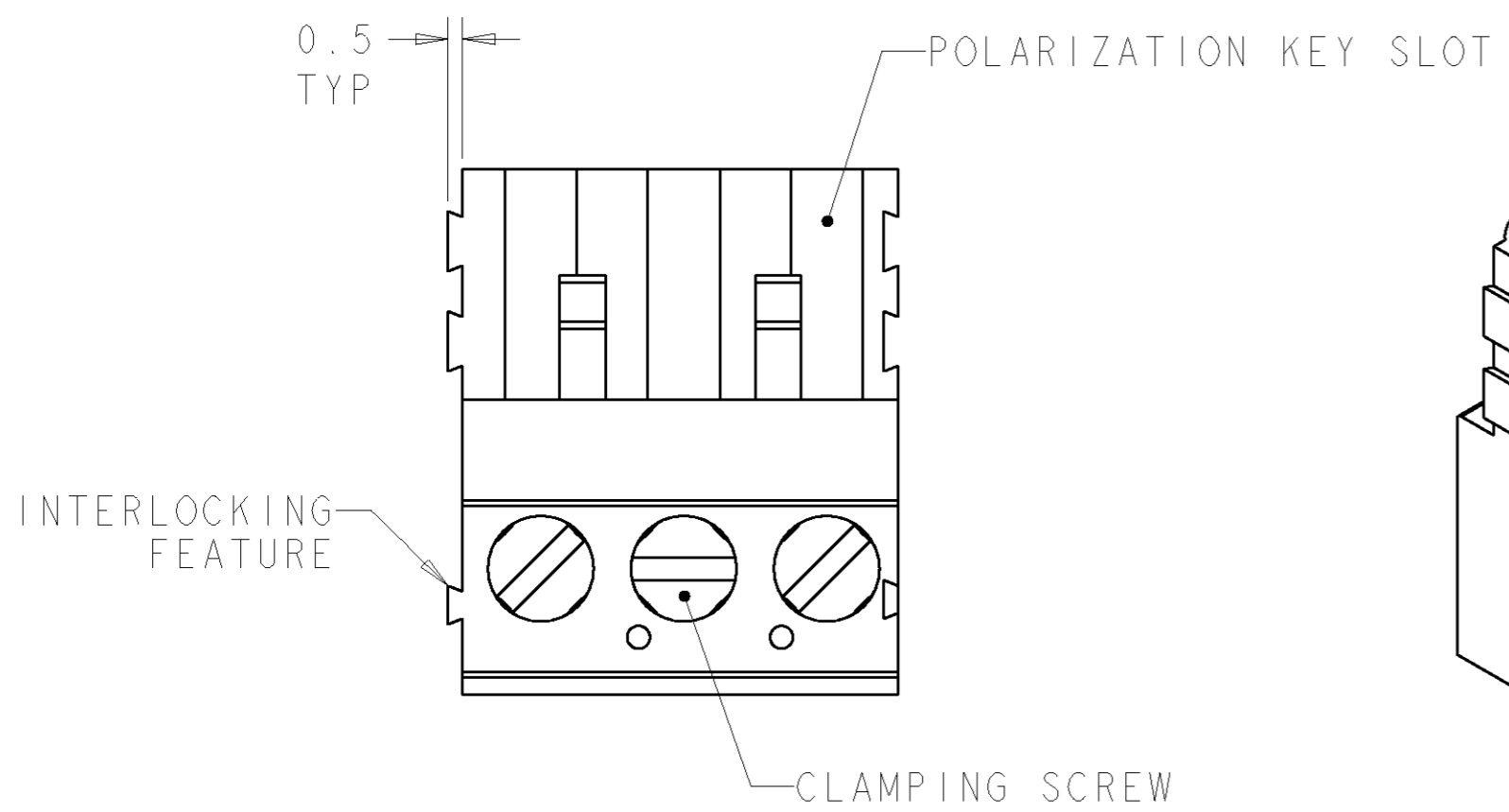
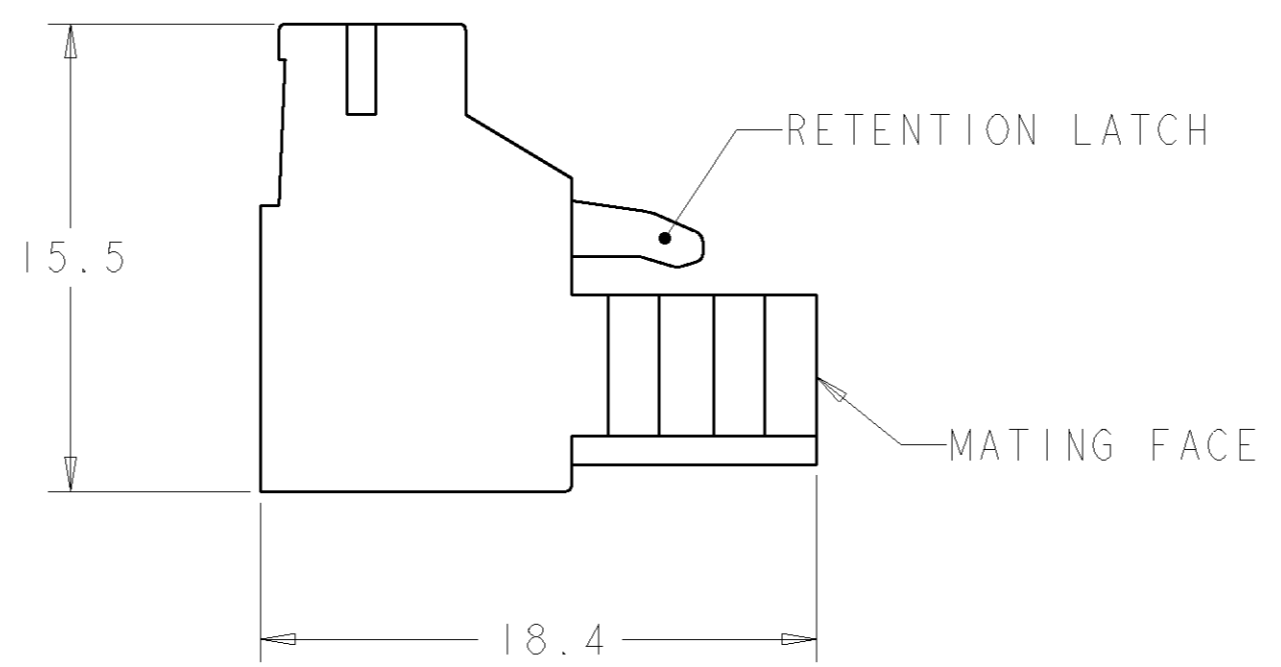
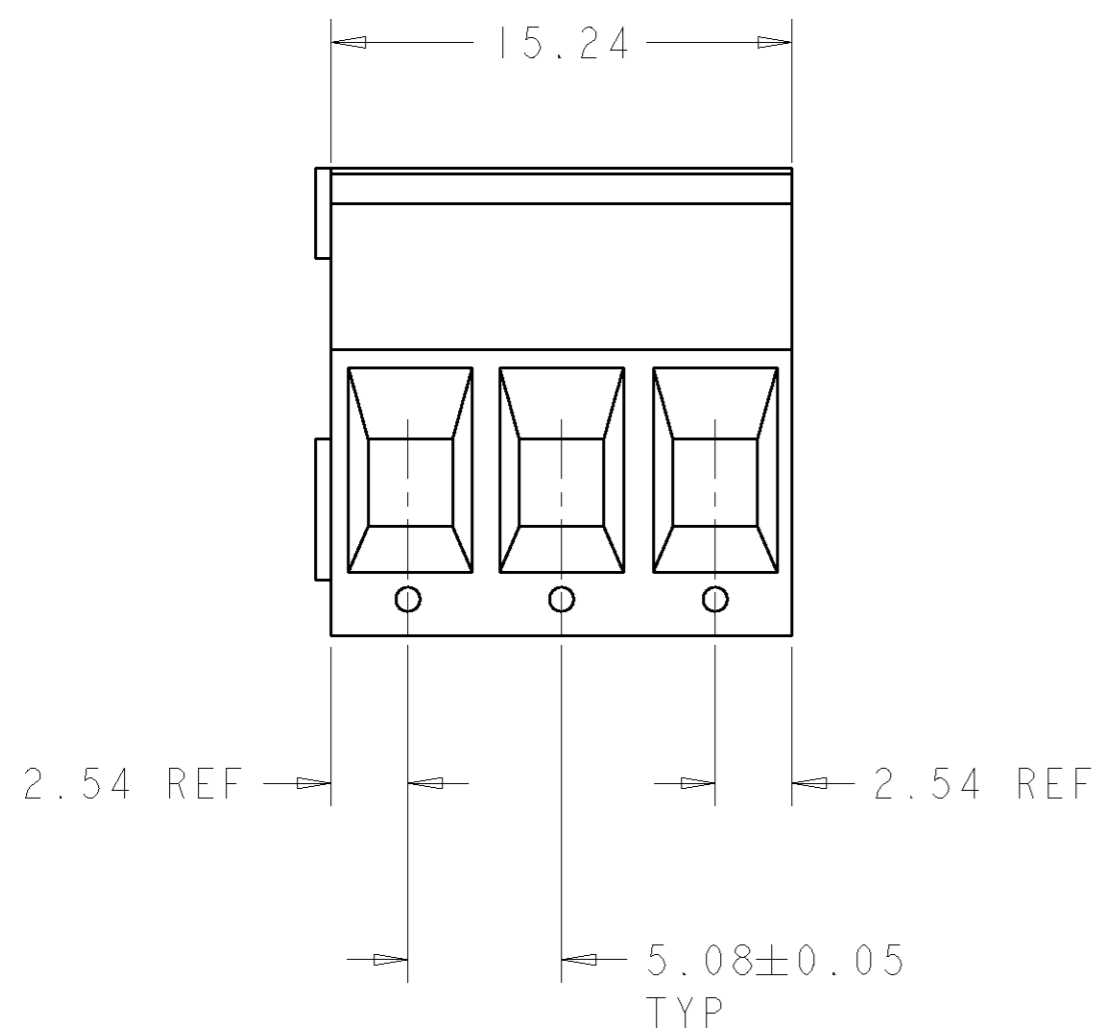


THIS DRAWING IS UNPUBLISHED. RELEASED FOR PUBLICATION 20  
 © COPYRIGHT 20 BY TYCO ELECTRONICS CORPORATION. ALL RIGHTS RESERVED.

LOC	DIST	REVISIONS					
FT	0	P	LTR	DESCRIPTION	DATE	DWN	APVD
		0		PRELIMINARY EC 063B-0492-03	06JUL2004	SW	CR



- ⚠ MATERIALS AND FINISH  
 HOUSING: PA 6-6, UL 94-V0, COLOR: BLACK.  
 CLAMP: BRASS, NICKEL PLATED.  
 CONTACT SPRING: PHOSPHOR BRONZE, TIN PLATED.  
 CLAMPING SCREW: M3, BRASS, NICKEL PLATED.
2. END-TO-END STACKABLE W/INTERLOCK WITHOUT LOSS OF CENTERLINE SPACING.
  3. WIRE SIZE RANGE: 13-15 AWG
  4. RECOGNIZED UNDER THE COMPONENT PROGRAM OF UNDERWRITERS LABORATORIES INC. FILE N° E60677
  5. IMQ CERTIFICATE WITH SURVEILLANCE IN CONFORMITY WITH IEC 998-1/998-2-1.



3	1776084-3
NO OF POSN	PART NUMBER

THIS DRAWING IS A CONTROLLED DOCUMENT FOR TYCO ELECTRONICS CORPORATION. IT IS SUBJECT TO CHANGE AND THE CONTROLLING ENGINEERING ORGANIZATION SHOULD BE CONTACTED FOR THE LATEST REVISION.		DWN	S. WELDON	06 JUL 2004	<b>BUCHANAN</b> Tyco Electronics Harrisburg, PA 17105-3608
		CHK	C. RICHARD	06 JUL 2004	
		APVD	C. RICHARD	06 JUL 2004	
		PRODUCT SPEC	108-20166		
DIMENSIONS:		TOLERANCES UNLESS OTHERWISE SPECIFIED:		APPLICATION SPEC	NAME
mm		0 PLC ±.2		114-20079	TERMINAL BLOCK ASSEMBLY, PLUG
		1 PLC ±.25		WEIGHT	STACKING W/INTERLOCK, 5.08mm PITCH
		2 PLC ±.25			
		3 PLC ±.25			
		4 PLC ±.25			
		ANGLES ±2			
MATERIAL		FINISH			SIZE
					A2
					CAGE CODE
					00779
					DRAWING NO
					1776084
					RESTRICTED TO
					-
					SCALE
					3:1
					SHEET
					1
					OF
					1
					REV
					0