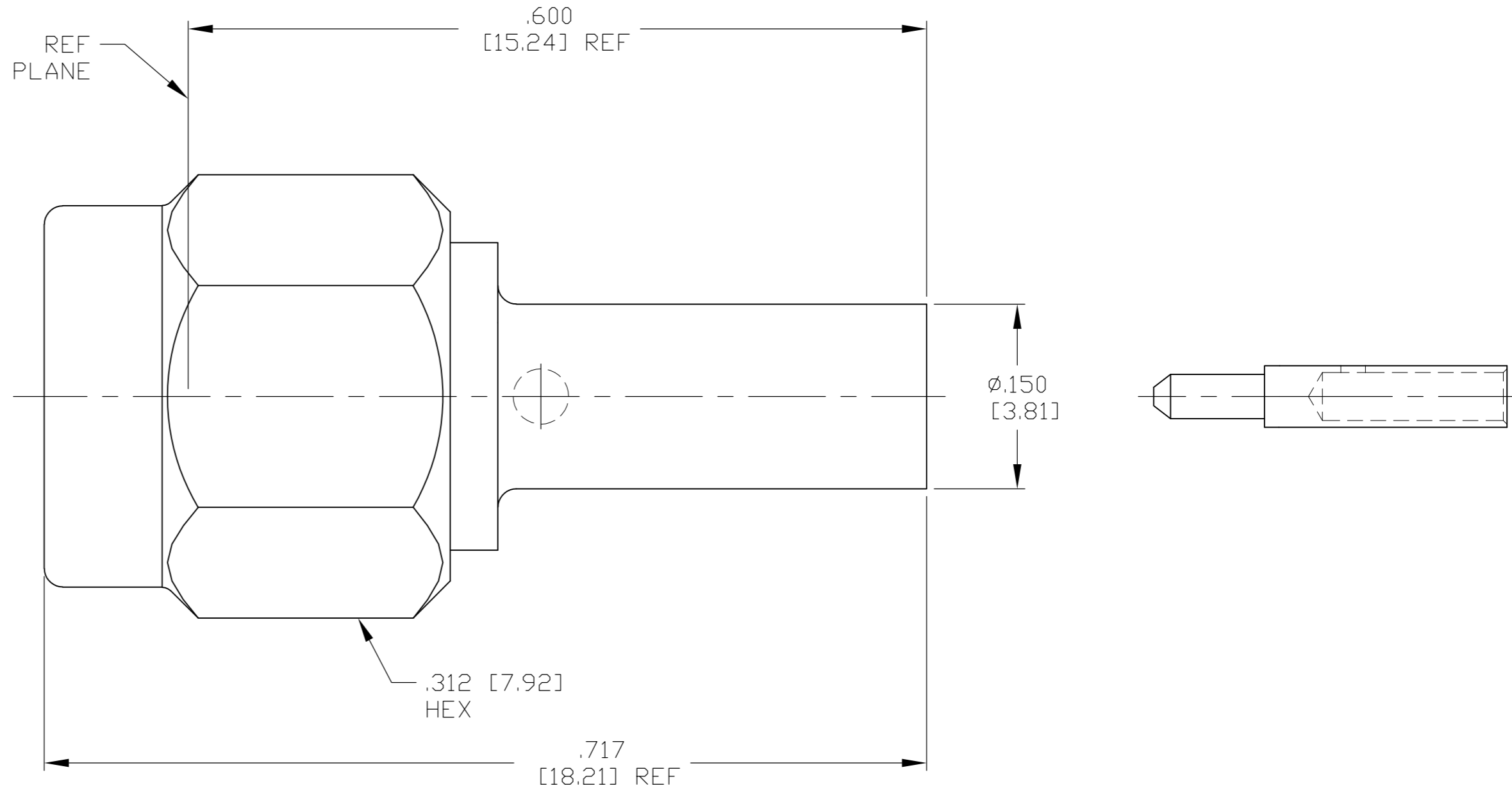


THIS DRAWING IS UNPUBLISHED. RELEASED FOR PUBLICATION
 © COPYRIGHT BY TYCO ELECTRONICS CORPORATION. ALL INTERNATIONAL RIGHTS RESERVED.

| COMPONENT | MATERIAL | FINISH |
|----------------|--|--|
| HOUSING | STAINLESS STEEL PER ASTM-A484 AND ASTM-A582, TYPE 303 | GOLD PLATE PER ASTM-B-488 OVER NICKEL PLATE PER AMS-QQ-N-290 |
| COUPLING NUT | STAINLESS STEEL PER ASTM-A484 AND ASTM-A582, TYPE 303 | PASSIVATE PER SAE-AMS-2700 |
| DIELECTRIC | TFE FLUOROCARBON PER ASTM-D-1457 | N/A |
| CENTER CONTACT | BERYLLIUM COPPER PER ASTM B 196, ALLOY C17300, CONDITION H | GOLD PLATE PER ASTM-B-488 OVER NICKEL PLATE PER AMS-QQ-N-290 |
| RETAINING RING | BERYLLIUM COPPER PER ASTM B 194, ALLOY C17200, CONDITION H | N/A |
| GASKET | SILICONE RUBBER PER ZZ-R-765 | N/A |

DESIGNED FOR USE WITH FA12RX CABLE
 CABLE ENTRY DIAMETER MINIMUM
 CONTACT .039 [0.99]
 HOUSING .114 [2.90]

| LOC | DIST | REVISIONS | | | |
|-----|------|-----------------------|---------|-----|------|
| P | LTR | DESCRIPTION | DATE | DWN | APVD |
| DF | X5 | REV PER ECO-09-024744 | 18NOV09 | PY | DW |



| ELECTRICAL | MECHANICAL | ENVIRONMENTAL |
|---|---|--|
| Nominal Impedance (Ohms) 50 | Interface Dimensions MIL-STD-348, Fig. 310.1 | TEMPERATURE RATING -65°C TO 105°C |
| Frequency Range (GHz) DC to 18.0 | Recommended Mating Torque 7 to 10 in-LBs | Vibration MIL-STD-202, Method 204, Condition D |
| Volt Rating (VRMS MAX) @ Sea Level 500 | Mating Characteristics: Insertion (MAX Lbs) N/A | Shock MIL-STD-202, Method 213, Condition I |
| VSWR 1.05 + .008f(GHz) | Withdrawal (MIN Oz) N/A | Thermal Shock MIL-STD-202, Method 107, Condition B, EXCEPT HIGH TEMP 115°C |
| Insertion Loss (dB MAX) .03 √f(GHz) | Force to Engage and Disengage (In/Lbs MAX) 2.0 | Moisture Resistance MIL-STD-202, Method 106, |
| RF Leakage (dB MIN) -(90-f(GHz)) | Center Contact Captivation Axial (Lbs) N/A | Corrosion - MIL-STD-202, Method 101, Condition B, 5% salt spray |
| Corona, 70,000 Ft (VRMS MIN) 375 | Radial (In/Oz) N/A | |
| Dielectric Withstanding Voltage (VRMS MIN) @ Sea Level 1000 | Cable Retention Axial Force (Lbs) 60 | |
| Contact Resistance (Milliohms MAX) Center Contact 3.0 | Torque (In/Oz) 55 | |
| Outer Contact 2.0 | Weight (Grams) T.B.D. | |
| Cable to Housing 0.5 | | |
| RF High Potential @ Sea Level (VRMS MIN @ 5 MHz) 1000 | | |
| I.R.(Megohms MIN) 5,000 | | |

1883239-1
 PART NUMBER

| | | | | |
|--|---------------------|--|---|--|
| THIS DRAWING IS A CONTROLLED DOCUMENT. | | DWN C.C.THOMAS 13FEB2006 | Tyco Electronics Corporation Harrisburg, PA 17105-3608 | |
| DIMENSIONS: INCHES | | CHK R.GROSS 2-14-06 | NAME OSM STRAIGHT CABLE PLUG ASSY, DIRECT SOLDER ATTACHMENT | |
| TOLERANCES UNLESS OTHERWISE SPECIFIED: | | APVD R.GROSS 2-14-06 | APPLICATION SPEC 408-10203 | |
| 0 PLC ± - | 1 PLC ± - | SIZE A2 CAGE CODE 00779 DRAWING NO C=1883239 | | |
| 2 PLC ± - | 3 PLC ± .005 [0.13] | RESTRICTED TO - | | |
| 4 PLC ± - | ANGLES ± - | SCALE 10:1 SHEET 1 of 1 REV A | | |
| MATERIAL SEE TABLE | FINISH SEE TABLE | CUSTOMER DRAWING | | |