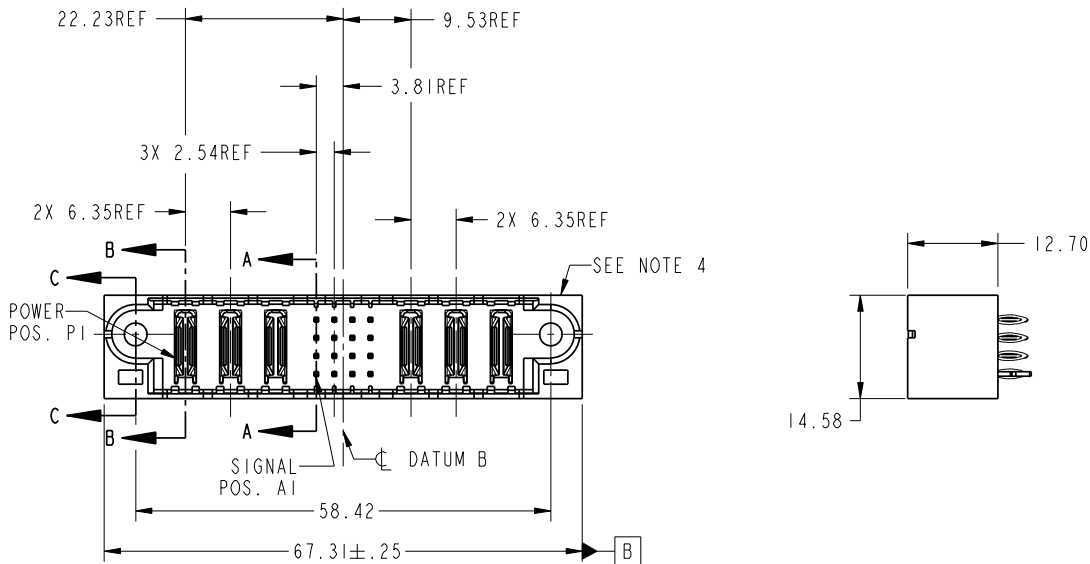


Tous droits strictement reserves. Reproduction ou communication a des tiers interdite sous quelque forme que ce soit sans autorisation écrite du propriétaire. Propriete de c FCI. Droits de reproduction FCI.



All rights strictly reserved. Reproduction or issue to third parties in any form whatever is not permitted without written authority from the proprietor. Property of FCI. Copyright FCI.

PRODUCT NO. 51952-040-- NOTE: 3	ROWS D C B A	POWER			SIGNAL				POWER			PRINTING SEE NOTE 4	SPEC. SnPb Sn	TYCO P/N 1450500-8 N/A	FCI P/N 51952-040 51952-040LF
		E1	P1	P2	P3	1	2	3	4	P4	P5				



CODE	DIM "M" MATING LENGTH	CONTACT TYPE
PC	[N/A]	POWER
HA	[N/A]	HOLD-DOWN
G	[6.86]	SIGNAL
K	[5.59]	SIGNAL

mat'l code				SEE NOTE		tolerances unless otherwise specified		CUSTOMER		FCI	
ltr	ecn no.	dr	date	linear	0.X ±0.3	COPY		www.fciconnect.com		title	
A	V04-0464	TAB	05/07/04		0.XX ±0.13	projection		3P + 16S + 3P		VERTICAL PRESS-FIT HEADER	
B	DG05-0203	SW	09/05/05	angles	0.XXX ±0.051	MM		product family		PwrBlade	
C	DG05-0502	Ryan	11/25/05	dr	0° ±2°	scale		size		code	
D	DG07-0357	JULIA	09/10/07	engr	T. BRUNGARD 05/07/04	1:1		dwg no		213	
				chr	M. GRAY 05/07/04			A		51952-040	
				appd	M. GRAY 05/07/04			sheet		1 of 4	
sheet index	revision	D	D	D	D						
	sheet	1	2	3	4						

cage code 22526

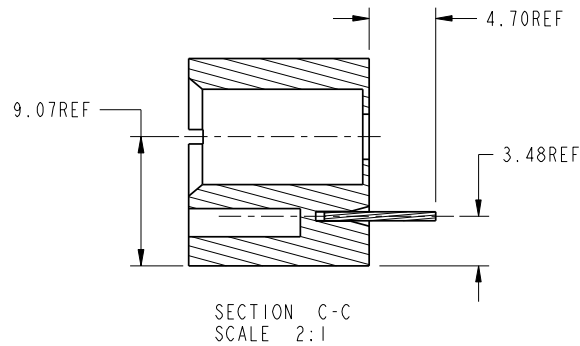
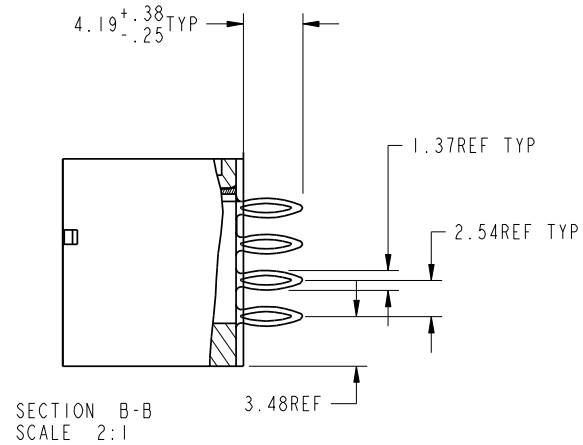
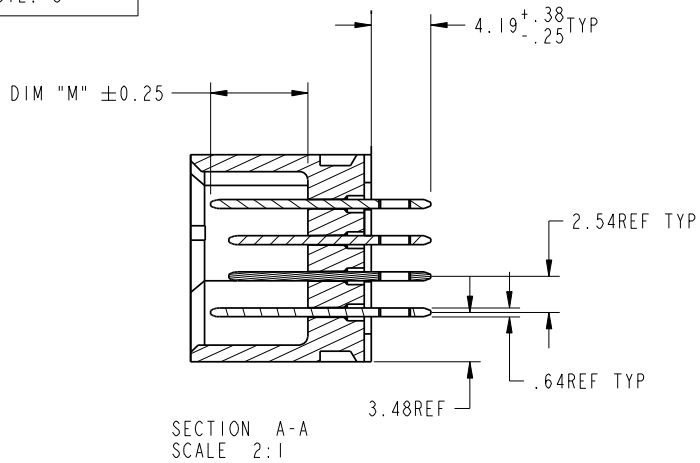
Pro/E

Tous droits strictement reserves. Reproduction ou communication a des tiers interdite sous quelque forme que ce soit sans autorisation ecrite du proprietaire. Propriete de c FCI. Droits de reproduction FCI.



All rights strictly reserved. Reproduction or issue to third parties in any form whatever is not permitted without written authority from the proprietor. Property of FCI. Copyright FCI.

PRODUCT NUMBER  
51952-040--  
NOTE: 3



mat'l code				SEE NOTE	tolerances unless otherwise specified		CUSTOMER		FCI www.fciconnect.com	
lir	ecn no.	dr	date	linear	0.X ±0.3	COPY		projection		
D					0.XX ±0.13	MM		title		
				angles	0.XXX ±0.051	1:1		3P + 16S + 3P VERTICAL PRESS-FIT HEADER		
				dr	T. BRUNGARD 05/07/04			product family		code
				enrg	M. GRAY 05/07/04			PwrBlade		213
				chr	M. GRAY 05/07/04			size		sheet
				appd	M. GRAY 05/07/04			A		2
sheet index	revision sheet									

cage code 22526

Pro/E



Tous droits strictement reserves. Reproduction ou communication a des tiers interdite sous quelque forme que ce soit sans autorisation écrite du propriétaire. Propriété de c FCI. Droits de reproduction FCI.



All rights strictly reserved. Reproduction or issue to third parties in any form whatever is not permitted without written authority from the proprietor. Property of FCI. Copyright FCI.

PRODUCT NUMBER  
51952-040\_\_  
NOTE: 3

NOTES:

1. DIMENSIONS AND TOLERANCES ARE IN ACCORDANCE WITH ASME Y14.5M, 1994 UNLESS OTHERWISE SPECIFIED.

CONNECTOR NOTES:

- ② HOUSING MATERIAL: UL 94 V-0 GLASS FILLED  
HIGH-TEMP THERMOPLASTIC  
POWER CONTACT MATERIAL: COPPER ALLOY  
SIGNAL PIN MATERIAL: COPPER ALLOY
- 3. PLATING:  
51952-040 ,51952-040LF PLATING SPEC. WAS SHOWN IN THE PRINT OF 10064183.
- ④ MANUFACTURER'S NAME, P/N, AND DATE CODE TO APPEAR ON THIS SURFACE.
- 5. PRODUCT SPECIFICATION GS-12-149.  
APPLICATION SPECIFICATION BUS-20-067.
- 6. PACKAGED IN TRAYS.

PCB NOTES:

- 7. ALL HOLE DIAMETERS ARE FINISHED HOLE SIZE.
- 8. MOUNTING HOLES, WHERE APPLICABLE, ARE UNPLATED.
- ⑨  $\varnothing 1.151 \pm 0.025$  DRILLED HOLES PLATED WITH  
0.008 MIN SnPb OR Sn OVER .001 [0.03]  
TO 0.08 Cu PLATING TO ACHIEVE  
 $\varnothing 1.02 \pm .07$  HOLE.
- ⑩ "DIM XXX" TO BE DETERMINED BY THE CUSTOMER.
- ⑪ CONNECTOR KEEP-OUT ZONE.
- 12. FOR PRESS FIT APPLICATION USE FCI CAM TOOL 430169-XXX.

mat'l code				SEE NOTE		tolerances unless otherwise specified		CUSTOMER		FCI www.fciconnect.com	
lfr	ecr no.	dr	date	linear	0.X ± 0.3	COPY		projection		title	
D					0.XX ± 0.13					3P + 16S + 3P VERTICAL PRESS-FIT HEADER	
				angles	0° ± 2°					product family PwrBlade code	
				dr	T. BRUNGARD 05/07/04			scale		size	
				enrg	M. GRAY 05/07/04			1:1		dwg no	
				chr	M. GRAY 05/07/04					A 51952-040	
				appd	M. GRAY 05/07/04					sheet	
sheet index		revision sheet								4	

cage code 22526

Pro/E