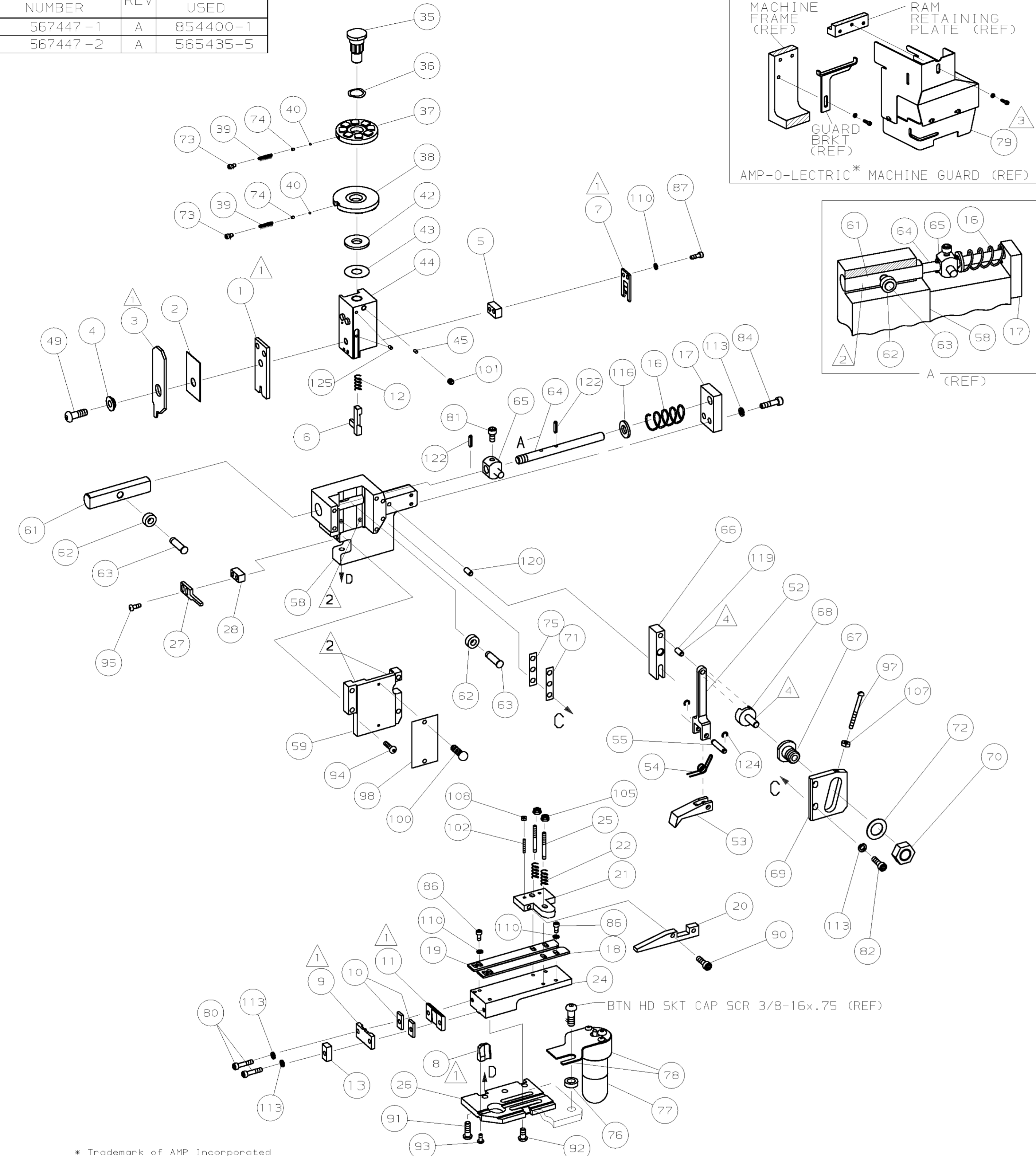


PART NUMBER	REV	FIRST USED
567447-1	A	854400-1
567447-2	A	565435-5



TERMINAL NAME:
.187 FLAG FASTIN-FASTON

PAD LTR	CRIMP HEIGHT	WIRE SIZE
A	.057 ±.002	16
B	.050 ±.002	18
C	.045 ±.002	20
D	NOT USED	

CRIMP	SIZE	TYPE	RANGE
WIRE	.090	F	20-16
INSUL	.140	0	.060-.110

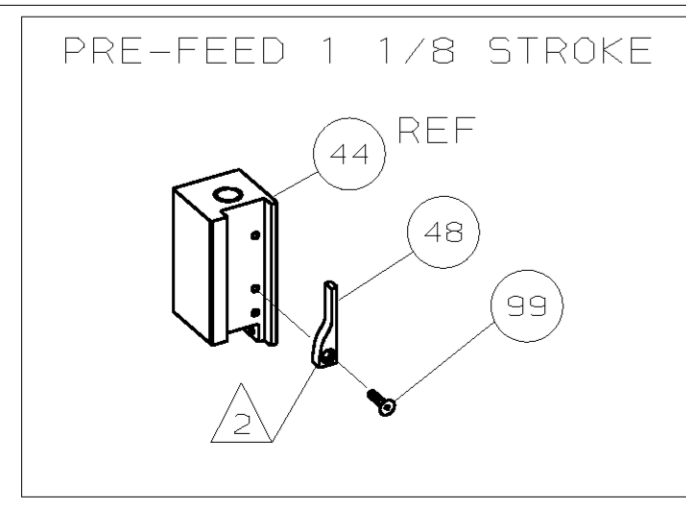
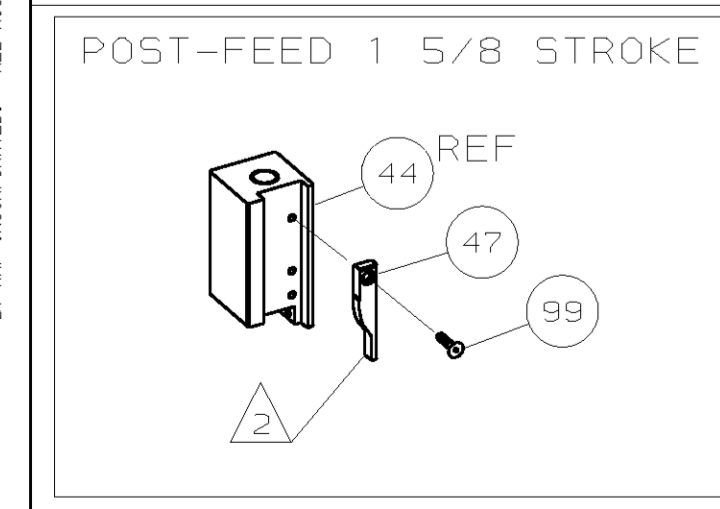
FEED	APPL INST	SET UP GAGE	LAYOUT
.555	A1 408-8039	-	1147

WIRE STRIP LENGTH .140-.170

TERM	APPL SPEC	114-2065
-1	LEADMAKER	MECH-POST FEED
-2	AMP-O-LECTRIC	MECH-PRE FEED

QTY	REV	U/M	DWG SIZE	PART NO	DESCRIPTION	ITEM NO
4	4	-	A	4-21028-9	PIN, SLOT SPG (Ø.12x.38) RAM	125
2	2	-	A	21045-3	RING, RET "C" (Ø.187) FD PIN	124
2	2	-	A	5-21028-1	PIN, STD SPRING (Ø.12) FD ADJ ROD	122
1	1	-	A	1-21030-7	PIN, DOWEL (Ø.187x1.50) HSG	120
1	1	-	A	1-21030-1	PIN, DOWEL (Ø.187x.50) LEVER	119
1	1	-	A	21899-4	WASHER, FLAT (Ø5/16) SCR ADJ	116
6	6	-	A	21024-5	WASHER, LOCK (NO.10) SHEAR PL	113
6	6	-	A	21024-4	WASHER, LOCK (NO.8) SHEAR BL	110
2	2	-	A	21018-4	NUT, HEX (4-40) DRAG	108
1	1	-	A	21018-5	NUT, HEX (6-32) FD ADJ PL	107
2	2	-	A	21022-2	NUT, HEX SL (8-32) DRAG STUD	105
2	2	-	A	2-21006-6	SKT SKT SET (4-40x.75) DRAG	102
1	1	-	A	21009-2	SCR, SKT SET (1/4-20x.25) RAM	101
2	2	-	A	21017-2	SCR, DRIVE (#2x.19) ID PLATE	100
1	1	-	A	1-21002-7	SCR, BHC (6-32x.38) CAM	99
1	1	-	B	461264-1	PLATE, IDENTIFICATION	98
1	1	-	A	6-23715-5	SCR, PAN HD (6-32x1.50) FEED ADJ	97
2	2	-	A	2-21002-2	SCR, BHC (8-32x.50) STRIPPER	95
4	4	-	A	2-21002-9	SCR, BHC (10-32x.75) HSG CAP	94
1	1	-	A	22733-8	SCR, BHC (8-32x.38 LW) ANVIL	93
4	4	-	A	3-21002-3	SCR, BHC (1/4-20x.50) ST 6D PL	92
3	3	-	A	2-22733-8	SCR, BHC (1/4-20x.62) BASE PL	91
2	2	-	A	1-21000-3	SCR, SHC (4-40x.25) DRAG	90
2	2	-	A	2-21000-5	SCR, SHC (8-32x.25) SLUG BLADE	87
4	4	-	A	2-21000-8	SCR, SHC (8-32x.62) STRIP GUIDE	86
2	2	-	A	3-21000-7	SCR, SKT CAP (10-32x.75) FD GDE	84
2	2	-	A	3-21000-6	SCR, SKT CAP (10-32x.62) FD ADJ P	82
1	1	-	A	3-21000-4	SCR, SKT CAP (10-32x.38) PIVOT BL	81
2	2	-	A	3-21000-8	SCR, SKT CAP (10-32x.88) 5H PL	80
REF	-	-	A	455745-1	GUARD, WINDOW	79
1	-	-	C	465184-9	LUBRICATOR ASSY	78
REF	REF	-	B	852931-2	CRIMPER LUBRICANT	77
1	-	-	A	454406-1	SPACER, LUB BRACKET	76
1	1	-	A	238305-5	SPACER, ADJ PLATE	75
2	2	-	A	690603-1	SPRING, ASSIST	74
2	2	-	A	23030-1	SCR, SKT CAP (6-32x.25) CP DSC	73
1	1	-	A	458109-1	WASHER, FLAT (SPECIAL)	72
1	1	-	A	690517-1	SPACER	71

QTY	REV	U/M	DWG SIZE	PART NO	DESCRIPTION	ITEM NO
1	1	-	A	22594-8	NUT, HEX	70
1	1	-	B	240628-1	PLATE, ADJ	69
1	1	-	B	240626-1	SHAFT, PIVOT	68
1	1	-	B	240633-1	BUSHING	67
1	1	-	A	455680-2	LEVER, INTERMEDIATE	66
1	1	-	B	240629-1	BLOCK, PIVOT	65
1	1	-	A	240632-2	SCR, ADJ	64
1	1	-	B	240659-3	PIN, CAM ROLLER	63
1	1	-	B	240658-1	CAM, ROLLER	62
1	1	-	B	454398-1	ROD, FEED	61
1	1	-	C	458268-3	CAP, RAM	59
1	1	-	D	805478-1	HOUSING	58
1	1	-	B	240624-1	PIN, FEED FINGER	55
1	1	-	B	691499-1	SPRING, FEED FINGER	54
1	1	-	B	694921-7	FINGER, FEED	53
1	1	-	B	240634-1	LEVER, TERMINAL	52
1	1	-	A	7-21002-9	BOLT, CRIMPER (5/16-24x1.00)	49
1	-	-	B	690602-5	CAM, PRE-FEED 1 1/8 ST	48
-	1	-	B	690501-4	CAM, POST-FEED 1 5/8 ST	47
1	1	-	A	690191-1	PLUG, NYLON	45
1	1	-	C	805474-1	RAM	44
1	1	-	A	690125-1	WASHER, LAMINATED	43
1	1	-	A	690124-1	WASHER, RAM	41
2	2	-	A	23241-6	BALL, STEEL	40
2	2	-	A	690170-1	SPRING, COMPRESSION	39
1	1	-	C	690142-1	DISC, INSULATION	38
1	1	-	D	3-690141-2	DISC, WIRE	37
1	1	-	A	22480-5	WASHER, SPRING	36
1	1	-	B	690212-1	POST, RAM	35
1	1	-	A	2-690451-4	SPACER, STRIPPER	28
1	1	-	A	240639-3	STRIPPER	27
1	1	-	C	463915-1	PLATE, BASE	26
2	2	-	A	22354-8	DRAG, STUD	25
1	1	-	B	463903-4	PLATE, STRIP GUIDE	24
2	2	-	A	23470-5	SPRING, DRAG	22
1	1	-	A	464451-2	ARM, STOCK DRAG	21
1	1	-	A	464452-4	DRAG, STOCK	20
1	1	-	B	568678-1	GUIDE, STRIP (REAR)	19
1	1	-	C	568678-2	GUIDE, STRIP (FRONT)	18
1	1	-	A	454178-1	GUIDE, FEED ROD	17
1	1	-	A	4-22284-9	SPRING, FEED RETURN	16
1	1	-	A	568693-1	BLOCK, SUPPORT RIGHT	13
1	1	-	A	5-22280-5	SPRING, HOLD DOWN	12
1	1	-	B	568680-1	PLATE, REAR SHEAR	11
2	2	-	C	5-240645-6	SPACER, SHEAR PLATE	10
1	1	-	B	568679-1	PLATE, FRONT SHEAR	9
1	1	-	D	806441-2	ANVIL	8
1	1	-	B	469634-4	BLADE, SLUG	7
1	1	-	D	805476-1	HOLD DOWN, TERMINAL	6
1	1	-	C	5-238075-4	SPACER, SLUG BLADE	5
1	1	-	B	238009-1	SPACER, BLOCK CRIMPER	4
1	1	-	C	461296-2	CRIMPER, INSULATION	3
1	1	-	B	690407-5	SPACER, CRIMPER	2
1	1	-	C	805477-2	CRIMPER, WIRE	1



- 1 RECOMMENDED SPARE PARTS.
- 2 GREASE LIGHTLY.
- 3 GUARD MUST BE IN PLACE WHEN OPERATING APPLICATOR IN AMP-O-LECTRIC MACHINE.
- 4 LUBRICATE DAILY USING NO. 20 MACHINE OIL.

LOC A
T TERMINATING UNIT

AMP-O-LECTRIC
K TERMINATING UNIT

QTY	REV	U/M	DWG SIZE	PART NO	DESCRIPTION	ITEM NO
-2	-1	-	-		REVISION OF EACH ASSY NO (WHEN BLANK, USE DWG REVISION)	

QTY	REV	U/M	DWG SIZE	PART NO	DESCRIPTION	ITEM NO
-2	-1	-	-		REVISION OF EACH ASSY NO (WHEN BLANK, USE DWG REVISION)	