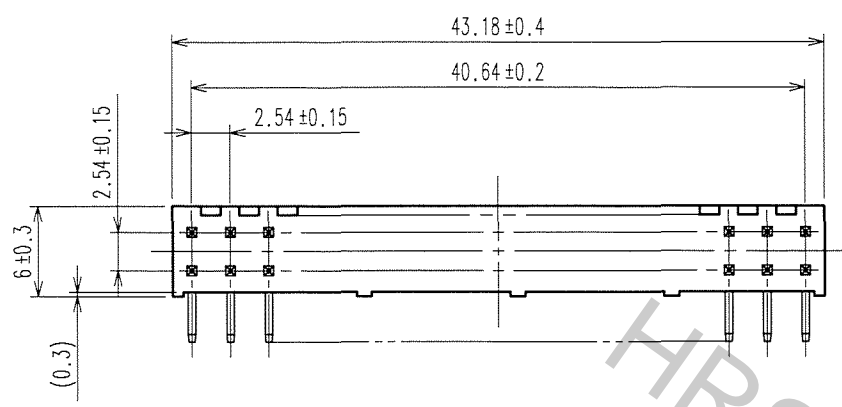
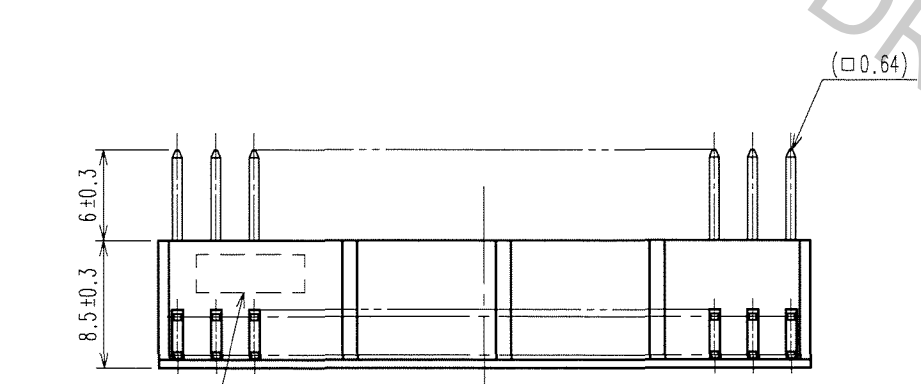
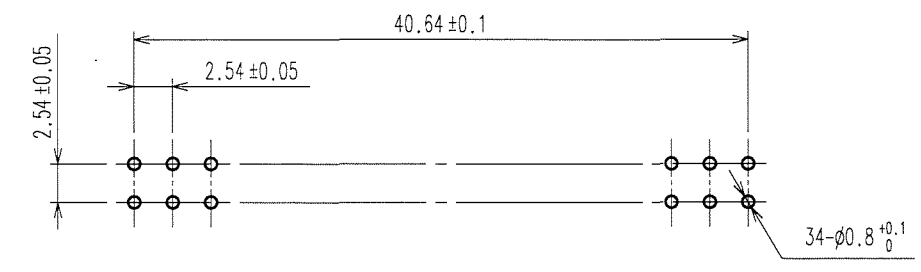


Apr.1.2017 Copyright 2017 HIROSE ELECTRIC CO., LTD. All Rights Reserved.

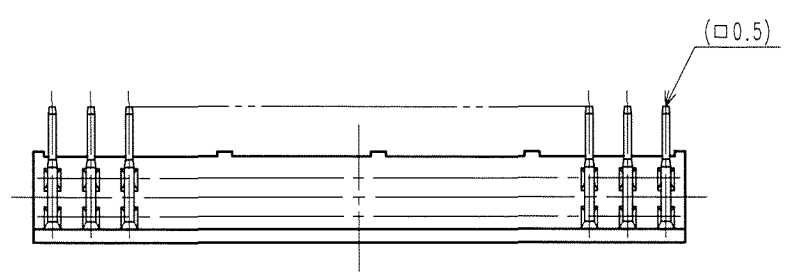
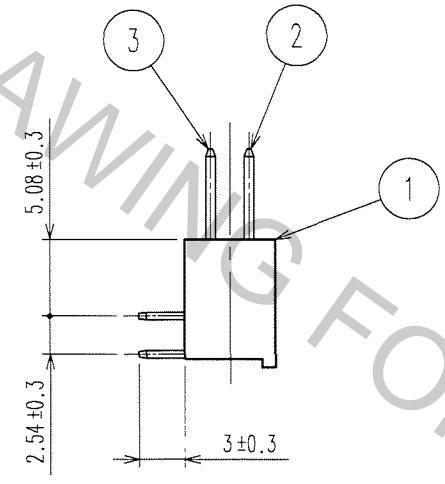
COUNT	DESCRIPTION OF REVISIONS	BY	CHKD	DATE	COUNT	DESCRIPTION OF REVISIONS	BY	CHKD	DATE
△				..	△				..
△				..	△				..
△				..	△				..



RECOMMENDED PC BOARD HOLE PATTERN



POLARIZATION MARK
(REVERES SIDE)



NOTES 1. THE DIMENSIONS IN PARENTHESES ARE FOR REFERENCE.

TO
PCK

1	PBT	BLACK	UL94V-0	2	BRASS	CONTACT AREA : GOLD 0.2μm min DIP AREA : TIN-PLATING 2μm min UNDER PLATING : NICKEL 2.5μm min			
NO.	MATERIAL	FINISH, REMARKS		NO.	MATERIAL	FINISH, REMARKS			
CODE NO. (OLD) CL			DRAWN K.NAKAMURA	DESIGNED K.NAKAMURA	CHECKED <i>H. Ogawa</i>	APPROVED <i>H. Okawa</i>	RELEASED		
			07.02.01	07.02.01	07.02.01	07.02.01	..		
SCALE 2 : 1		DRAWING NO. EDC3-018138-21		PART NO. A1-34PA-2.54DS(71)					
UNITS mm		HRS HIROSE ELECTRIC CO., LTD		CODE NO. CL619-0011-0-71		1/1			