

ELECTRICAL SPECIFICATIONS:

OPERATING TEMPERATURE RANGE: -20C TO +85C

1.0 INDUCTANCE:

P6-J6=P3-J3 ; P2-J2=P1-J1 : 65 uH 0.1V, 10 KHz, nominal @ 25C.

2.0 DC RESISTANCE:

P6-J6 : .5 ohm MAX
 P3-J3 : .5 ohm MAX
 P2-J2 : .5 ohm MAX
 P1-J1 : .5 ohm MAX

3.0 COMMON MODE ATTENUATION: CMA (-dB)

FREQUENCY (MHz)	TYPICAL	MIN
1	8	5
5	17	15
20	23	15
70	25	20
200	22	17
500	11	6

NOTE:

1.0 PINS WITHOUT ELECTRICAL CONNECTIONS ARE OMITTED.

InNet Technologies Inc.

<http://www.innet-tech.com>

Stewart Connector Systems

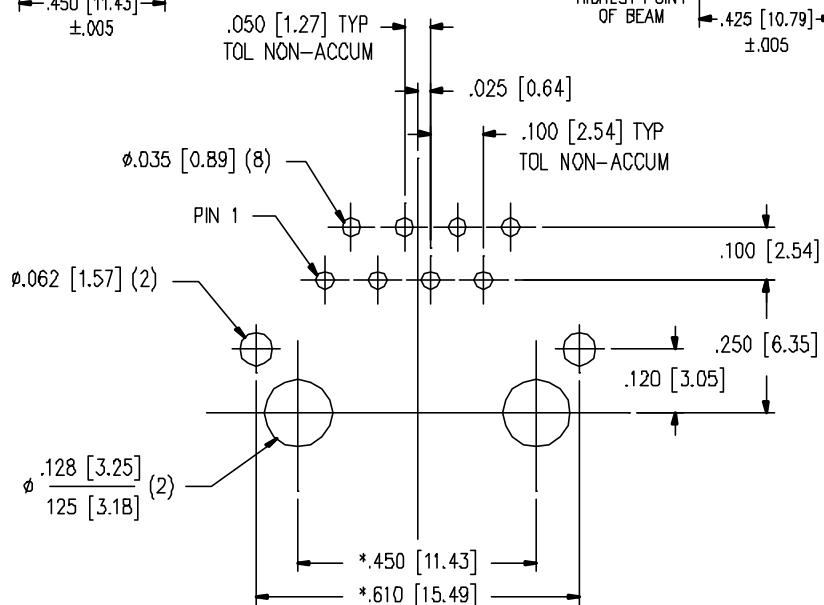
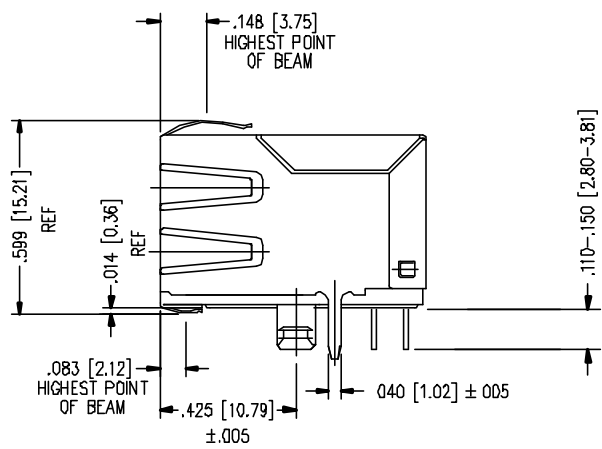
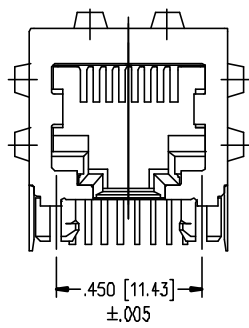
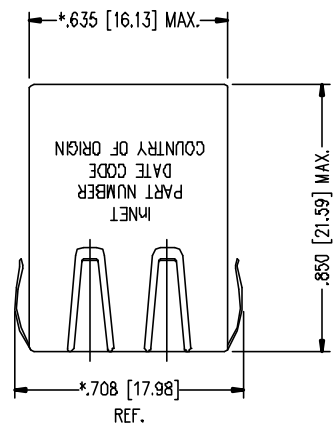
<http://www.stewartconnector.com>

SHEET 1 OF 3

DRAWING NO.

SI-20140

REV. 10



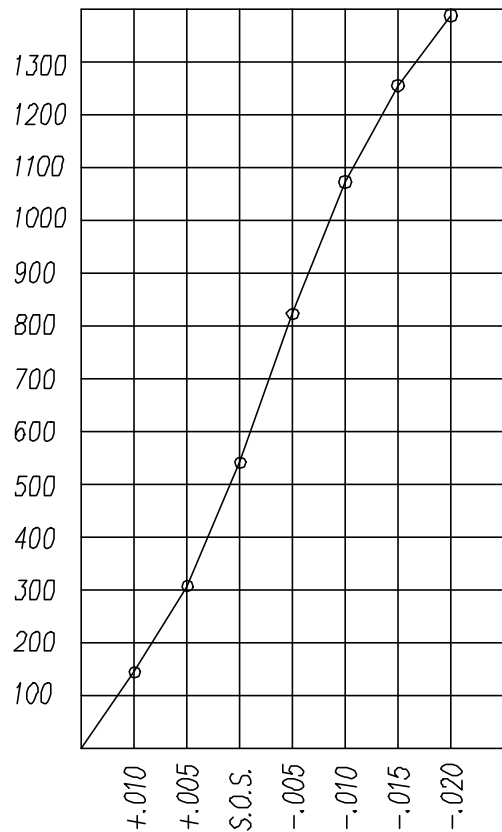
P.C.B. RECOMMENDED HOLE LAYOUT
 SEEN FROM COMPONENT SIDE
 TOLERANCE $\pm .003 [0.08]$ UNLESS OTHERWISE SPECIFIED

- NOTES:
- TOLERANCES COMPLY WITH F.C.C. DIMENSION REQUIREMENTS
 - DIMENSIONS SHOWN WITH "*" TO BE CENTRAL ABOUT CENTER LINE
 - DIMENSIONS SHOWN ARE SUBJECT TO CHANGE WITHOUT NOTICE.
 - PIN NOT ELECTRICALLY CONNECTED MAYBE OMITTED. SEE ELECTRICAL DRAWING FOR OMITTED PINS.

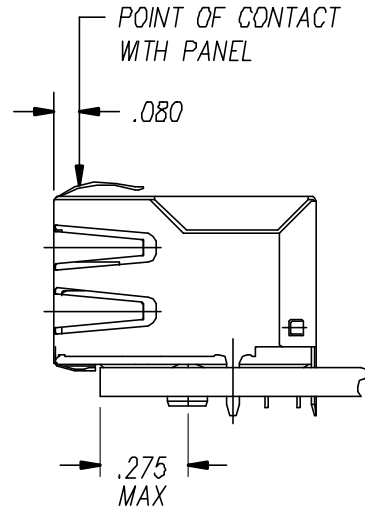
AVAILABLE WITH:

- STANDARD 50 MICRO-INCH SELECTIVE GOLD PLATING (AVAILABLE WITH 30)

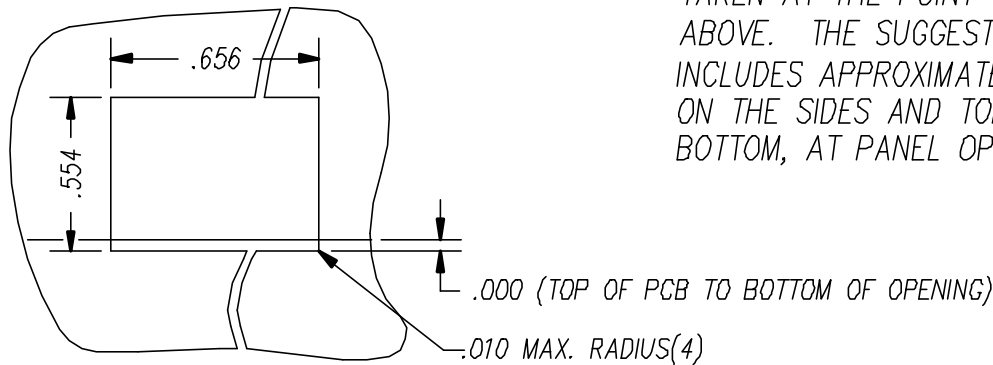
InNet Technologies Inc. http://www.innet-tech.com Stewart Connector Systems http://www.stewartconnector.com		
SHEET 2 OF 3	DRAWING NO. SI-20140	REV. 05



PANEL GROUNDING BEAM DEFLECTION
S.O.S. = SUGGESTED OPENING SIZE



THE SUGGESTED PANEL OPENING IS INTENDED TO GIVE THE USER THE ABILITY TO HAVE REASONABLE JACK / PANEL CLEARANCES YET MAINTAIN RELIABLE GROUNDING CAPABILITY. THESE VARIABLES CAN BE ADJUSTED IN EITHER DIRECTION BUT MAY CARRY SOME CONSEQUENCES IN THE FORM OF LOWER MATING FORCES OR TIGHTER ASSEMBLY TOLERANCES. FORCE VALUES ON THE GRAPH ARE GENERAL AVERAGES TAKEN AT THE POINT OF CONTACT SHOWN ABOVE. THE SUGGESTED PANEL OPENING INCLUDES APPROXIMATELY .020 CLEARANCE ON THE SIDES AND TOP AND .013 ON THE BOTTOM, AT PANEL OPENING.



SUGGESTED PANEL OPENING

InNet Technologies Inc.

<http://www.innet-tech.com>

Stewart Connector Systems

<http://www.stewartconnector.com>

SHEET
3 OF 3

DRAWING NO. SI-20140

REV. 05