

Single phase - general purpose

Comprehensive family of single and multi-stage chassis mount filters. Throughout the power range, a high level of performance is provided within various sizes and styles of metal enclosure and termination options.

Designed to provide economic solutions to a multitude of general purpose filtering requirements; industrial power equipment, office, business and medical equipments.

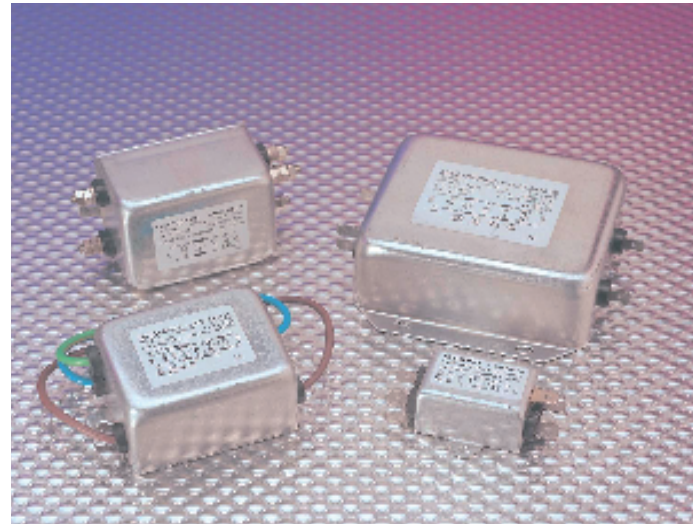
The two stage FAS series is specifically designed to suppress RFI generated by switch mode power supply applications.

- Current ratings from 0.5A to 40A
- High symmetric and asymmetric attenuation
- Earth line choke and medical versions available
- Custom designs to client specifications

Mechanical Specifications

Manufacture: metal case and cover, internal components sealed with self-extinguishing resin.

Connections: faston 6.3 x 0.8mm ($\leq 16A$), flexible leads, screws M4 ($\leq 40A$) ground terminal connected to case.



Electrical Specifications

Rated voltage (V_R): max 250V, 50/60Hz

Rated current (I_R): referred to room temperature = 40°C

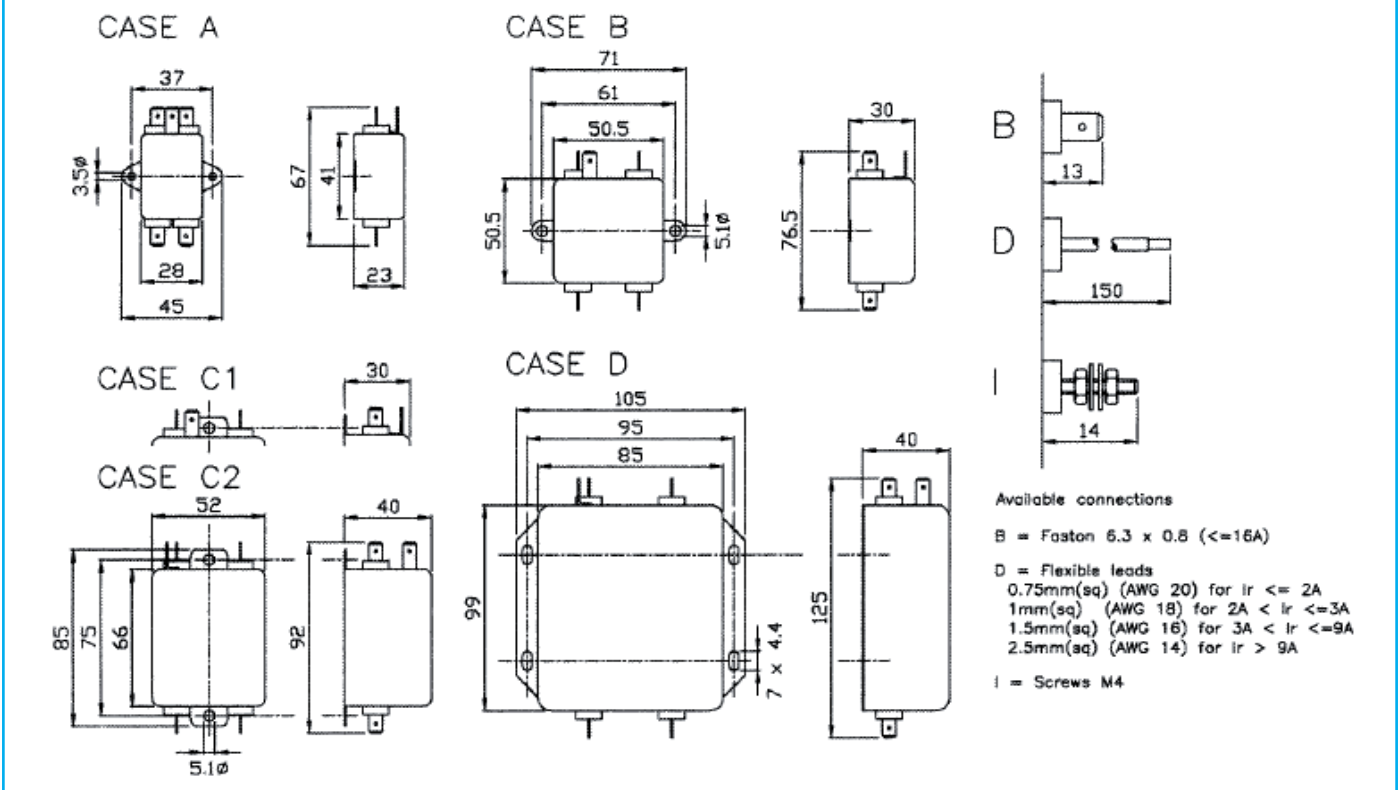
Leakage current (I_L): at 220V, 50Hz, max value

Voltage test (2 s.): line to ground 3000Vdc or 1800Vac
line to line 1700Vdc

Climatic category: HPF (25/085/21);


Temperature range: -25°C to +85°C

Dimensions (mm)



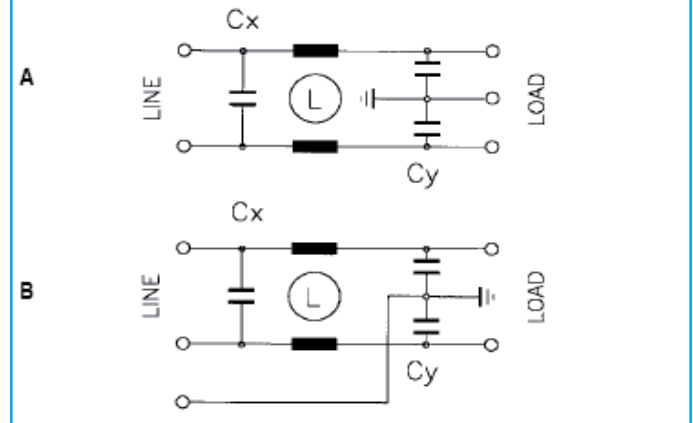
Filter Range

| FAI Code | I _R (A) | L (mH) | C _x (μF) | C _y (pF) | I _L (mA) | R (MΩ) | Circ Diag | Case |
|-------------|--------------------|--------|---------------------|---------------------|---------------------|--------|-----------|------|
| FAIDB2150ZA | 1.5 | 2x10 | 0.015 | 2x2200 | 2x0.2 | | A | A |
| FAIDB2150ZB | 1 | 2x10 | 0.015 | 2x2200 | 2x0.2 | | A | A |
| FAIDB2150ZC | 3 | 2x2 | 0.015 | 2x2200 | 2x0.2 | | A | A |
| FAIDB2150ZD | 6.5 | 2x1 | 0.015 | 2x2200 | 2x0.2 | | A | A |
| FAID-2330ZA | 10 | 2x0.5 | 0.033 | 2x2200 | 2x0.2 | 1 | B | B |
| FAID-2330ZB | 20 | 2x0.5 | 0.033 | 2x2200 | 2x0.2 | 1 | B | B |
| FAID-2330ZC | 30 | 2x0.6 | 0.033 | 2x2200 | 2x0.2 | 1 | B | D |
| FAID-3100ZA | 5 | 2x1 | 0.1 | 2x3200 | 2x0.29 | 1 | B | B |
| FAID-3100ZB | 5 | 2x1.7 | 0.1 | 2x3200 | 2x0.29 | 1 | B | B |



 B = Faston 6.3x0.8mm
 D = Flexible leads
 I = Screw M4

* other variants on request

Circuit diagram



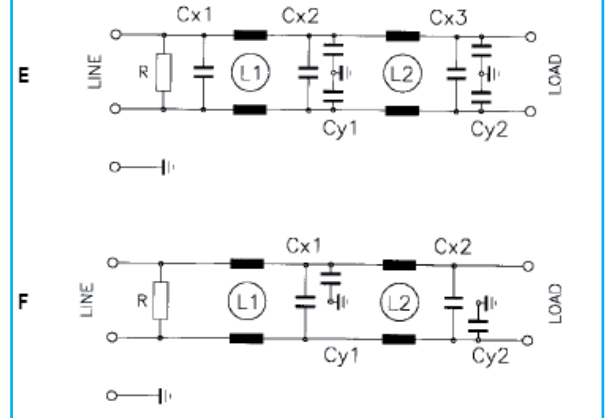
| FAK Code | I _R (A) | L ₁ (mH) | L ₂ (mH) | C _{x1} (μF) | C _{x2} (μF) | C _{x3} (μF) | C _{y1} (pF) | C _{y2} (pF) | I _L (mA) | R (MΩ) | Circ Diag | Case |
|-------------|--------------------|---------------------|---------------------|----------------------|----------------------|----------------------|----------------------|----------------------|---------------------|--------|-----------|------|
| FAKD-3300ZA | 3 | 2x2 | 2x2 | 0.15 | 0.15 | | 2x2200 | | 2x0.2 | 1 | E | C1 |
| FAKD-3300ZB | 6 | 2x1 | 2x1 | 0.15 | 0.15 | | 2x2200 | | 2x0.2 | 1 | E | C1 |
| FAKD-3300ZC | 10 | 2x0.5 | 2x0.5 | 0.15 | 0.15 | | 2x2200 | | 2x0.2 | 1 | E | C2 |
| FAKD-3300ZD | 20 | 2x0.5 | 2x0.5 | 0.15 | 0.15 | | 2x2200 | | 2x0.2 | 1 | E | D |
| FAKD-3570ZA | 2.5 | 2x1 | 2x2.5 | | 0.47 | 0.1 | 2x3300 | 2x3300 | 2x0.6 | 0.68 | E | D |
| FAKD-3810ZA | 10 | 2x2.3 | 2x2.3 | 0.27 | 0.27 | 0.27 | 2x5500 | 2x1000 | 2x0.6 | 0.33 | E | D |
| FAKD-3940ZA | 3 | 2x4.7 | 2x4.7 | 0.47 | 0.47 | | 2x4700 | | 2x0.5 | 0.24 | F | C2 |


 B = Faston 6.3x0.8mm
 D = Flexible leads
 I = Screw M4


VDE 60939-2
 ■ UL approval only

* other variants on request

Circuit diagram



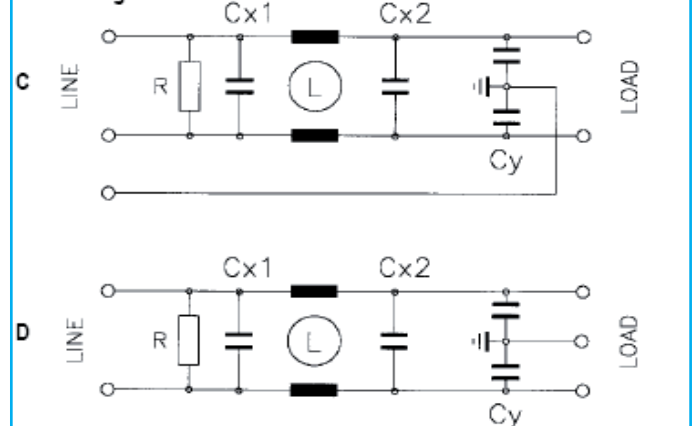
| FAM Code | I _R (A) | L (mH) | C _{x1} (μF) | C _{x2} (μF) | C _y (pF) | I _L (mA) | R (MΩ) | Circ Diag | Case |
|---------------|--------------------|--------|----------------------|----------------------|---------------------|---------------------|--------|-----------|------|
| FAMD-3200ZA | 1 | 2x40 | 0.1 | 0.1 | 2x4700 | 2x0.43 | 0.68 | C | B |
| FAMD-3200ZB | 5 | 2x1 | 0.1 | 0.1 | 2x3200 | 2x0.29 | 0.68 | C | B |
| FAMD-3200ZC | 10 | 2x0.5 | 0.1 | 0.1 | 2x2200 | 2x0.20 | 0.68 | C | B |
| FAMD-3200ZD | 20 | 2x0.5 | 0.1 | 0.1 | 2x2200 | 2x0.20 | 0.68 | C | C2 |
| FAMD-3200ZE | 30 | 2x0.6 | 0.1 | 0.1 | 2x2200 | 2x0.20 | 0.68 | C | D |
| ▲ FAMD-3440ZA | 10 | 2x1 | 0.22 | 0.22 | 2x4700 | 2x0.43 | 0.47 | D | B |
| FAMD-3470ZA | 6.5 | 2x4 | | 0.47 | 2x1000 | 2x0.09 | 0.68 | C | C2 |
| FAMD-3600ZC | 16 | 2x1 | | 0.6 | 2x2500 | 2x0.23 | 0.47 | C | C2 |
| FAMD-3600ZD | 22 | 2x0.2 | | 0.6 | 2x2500 | 2x0.23 | 0.47 | C | C2 |
| ▲ FAMD-3600ZE | 20 | 2x1 | | 0.6 | 2x4700 | 2x0.43 | 0.47 | D | C2 |
| ▲ FAMD-3600ZF | 40 | 2x0.23 | | 0.6 | 2x4700 | 2x0.43 | 0.47 | D | C2 |
| ▲ FAMD-3600ZH | 30 | 2x0.23 | | 0.6 | 2x4700 | 2x0.43 | 0.47 | D | C2 |
| ▲ FAMD-3600ZK | 25 | 2x0.5 | 0.6 | | 2x4700 | 2x0.43 | 0.47 | D | C2 |
| ▲ FAMD-3600ZL | 25 | 2x0.5 | 0.6 | | 2x22000 | 2x2.0 | 0.47 | D | C2 |
| FAMD-3940ZA | 4.5 | 2x20 | 0.47 | 0.47 | 2x10000 | 2x0.91 | 0.33 | C | C2 |
| FAMD-3940ZB | 3.3 | 2x13 | 0.47 | 0.47 | 2x6800 | 2x0.62 | 0.33 | C | C2 |
| ■ FAMD-4100ZB | 16 | 2x0.5 | | 1.0 | 2x2500 | 2x0.23 | 0.33 | D | C2 |
| ▲ FAMD-4160ZA | 25 | 2x0.5 | 1.0 | 0.68 | 2x22000 | 2x2.0 | 0.47 | C | C2 |


 B = Faston 6.3x0.8mm
 D = Flexible leads
 I = Screw M4

▲ VDE 60939-2 only
 ■ UL approval only


* other variants on request

Circuit diagram



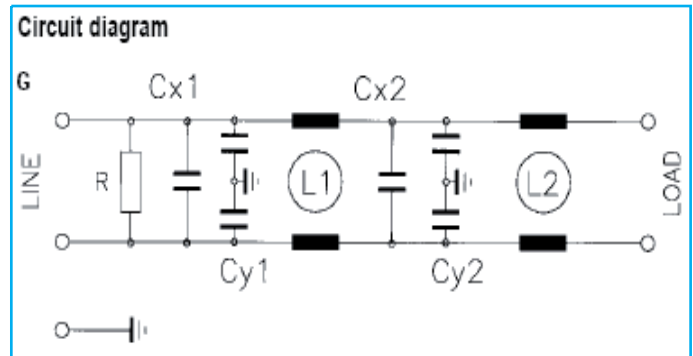
Filter Range

| FAR Code | I _r (A) | L ₁ (mH) | L ₂ (mH) | C _{x1} (μF) | C _{x2} (μF) | C _{y1} (pF) | C _{y2} (pF) | I _L (mA) | R (MΩ) | Circ Diag | Case |
|---------------|--------------------|---------------------|---------------------|----------------------|----------------------|----------------------|----------------------|---------------------|--------|-----------|------|
| FARD-3620ZA | 1.5 | 2x7 | 2x7 | 0.47 | 0.15 | | 2x2200 | 2x0.2 | 0.47 | G | C2 |
| FARD-3620ZB | 2.5 | 2x12 | 2x2 | 0.47 | 0.15 | | 2x2200 | 2x0.2 | 0.47 | G | C2 |
| FARD-3620ZC | 5 | 2x7 | 2x7 | 0.47 | 0.15 | | 2x2200 | 2x0.2 | 0.47 | G | C2 |
| FARD-3620ZD | 8.5 | 2x10 | 2x3 | 0.47 | 0.15 | | 2x2200 | 2x0.2 | 0.47 | G | D |
| ▲ FARD-3940ZA | 0.5 | 2x40 | 2x40 | 0.47 | 0.47 | | 2x3300 | | 2x0.3 | G | C1 |


 B = Faston 6.3x0.8mm
 D = Flexible leads
 I = Screw M4

▲ VDE 60939-2 only

* other variants on request

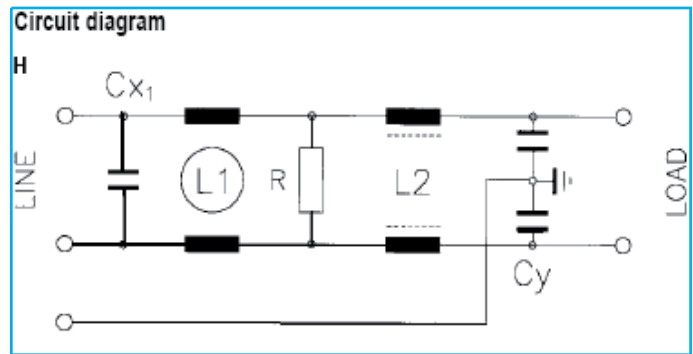


| FAS Code | I _r (A) | L ₁ (mH) | L ₂ (mH) | C _{x1} (μF) | C _y (pF) | I _L (mA) | R (MΩ) | Circ Diag | Case |
|---------------|--------------------|---------------------|---------------------|----------------------|---------------------|---------------------|--------|-----------|------|
| FASD-3220ZA | 1 | 2x22 | 2x0.3 | 0.22 | 2x4700 | 2x0.43 | 1 | H | B |
| FASD-3220ZB | 2.5 | 2x16 | 2x0.3 | 0.22 | 2x4700 | 2x0.43 | 1 | H | C2 |
| FASD-3470ZA | 6.5 | 2x4 | 2x0.05 | 0.47 | 2x22000 | 2x2 | 0.47 | H | D |
| FASD-3470ZB | 10 | 2x4 | 2x0.05 | 0.47 | 2x22000 | 2x2 | 0.47 | H | D |
| FASD-3940ZA | 4 | 2x8 | 2x0.05 | 0.94 | 2x22000 | 2x2 | 0.33 | H | C2 |
| ▲ FASD-3940ZC | 10 | 2x4 | 2x0.05 | 2x0.47 | 2x22000 | 2x2 | 0.33 | H | D |


 B = Faston 6.3x0.8mm
 D = Flexible leads
 I = Screw M4

▲ VDE 60939-2 only

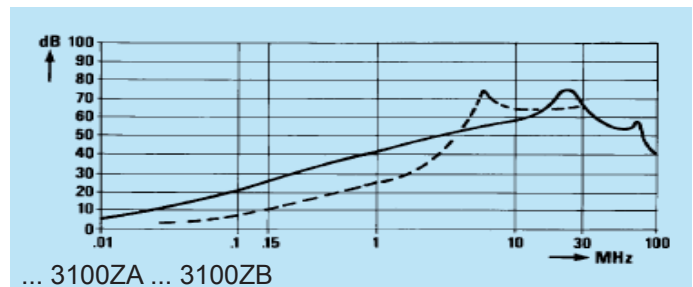
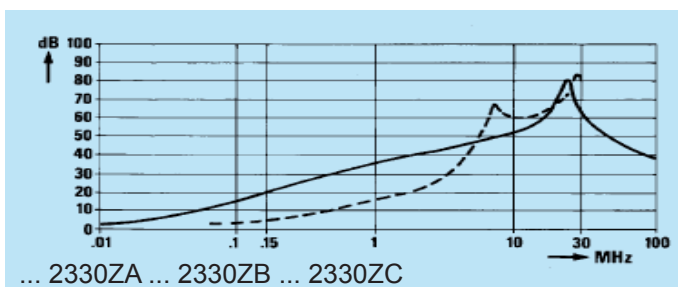
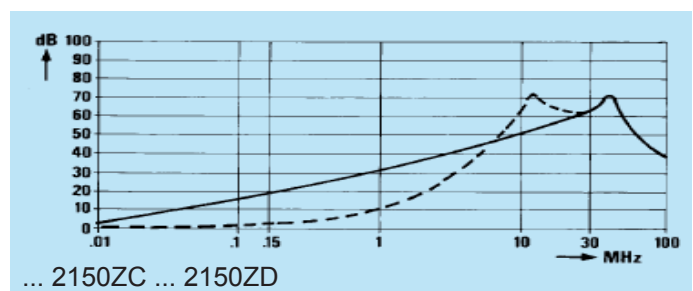
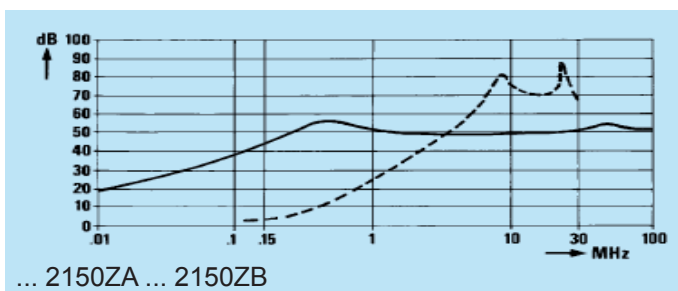
* other variants on request



Insertion loss (typical):

Asymmetrical (line to ground) --- Symmetrical (line to line)

FAI

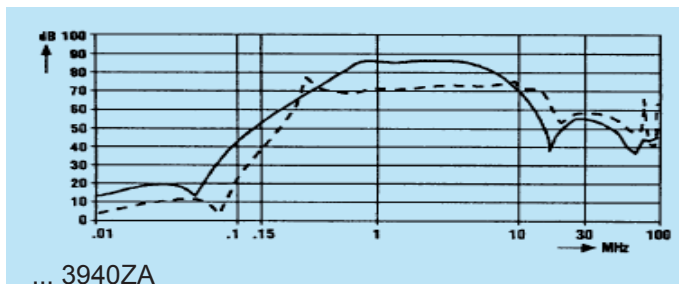
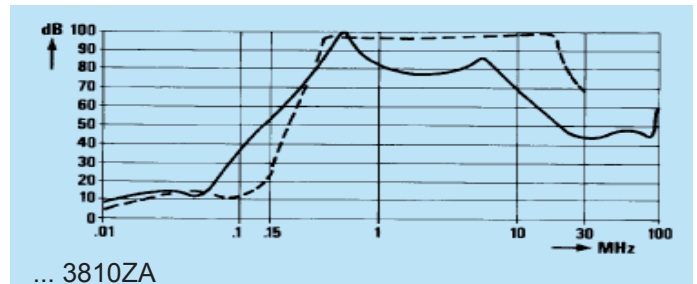
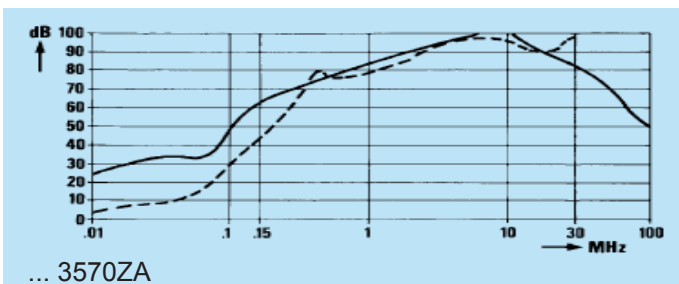
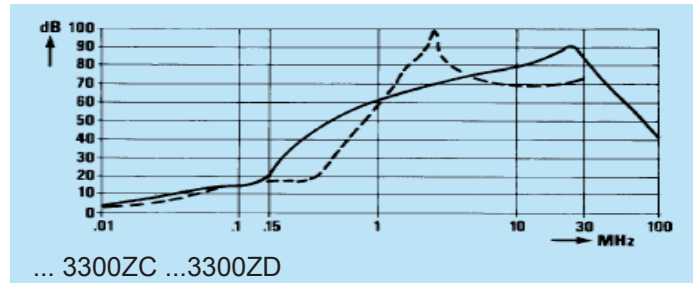
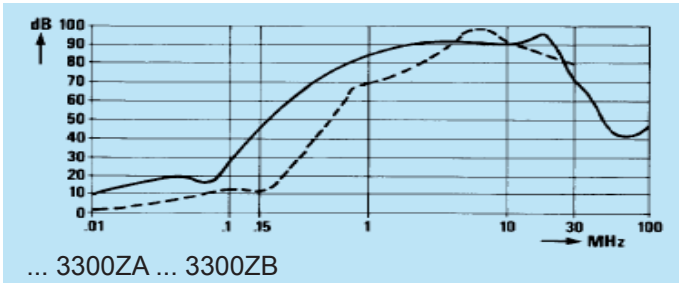


Approvals



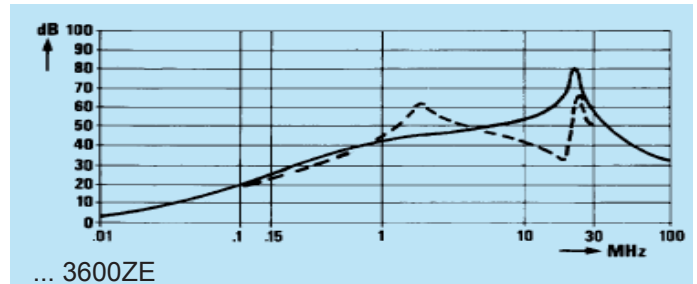
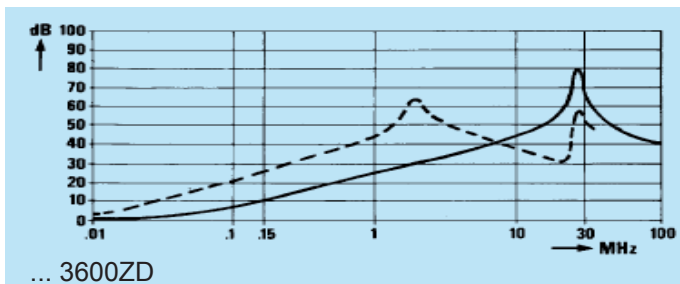
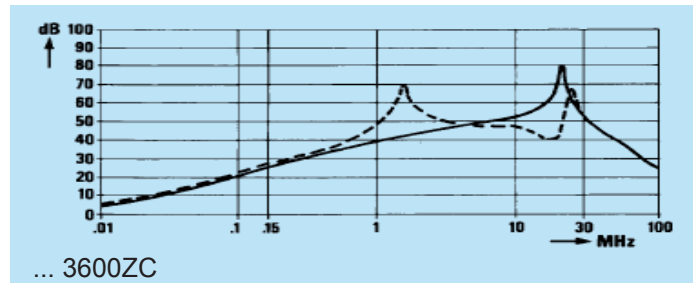
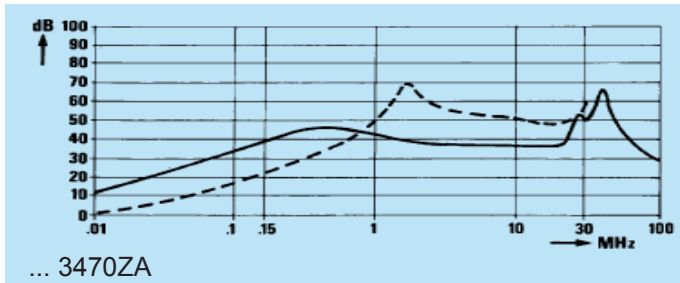
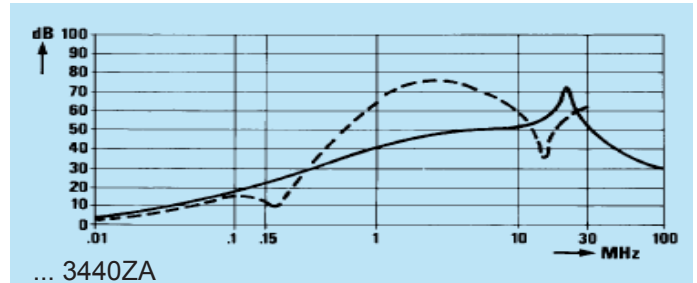
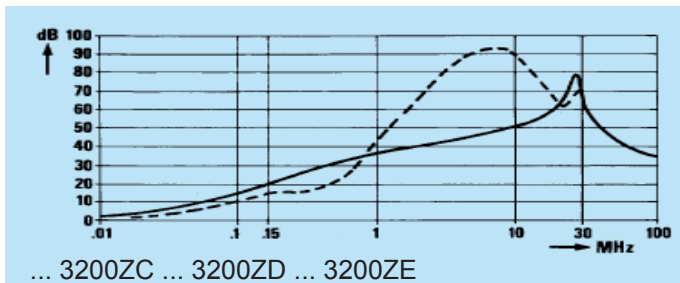
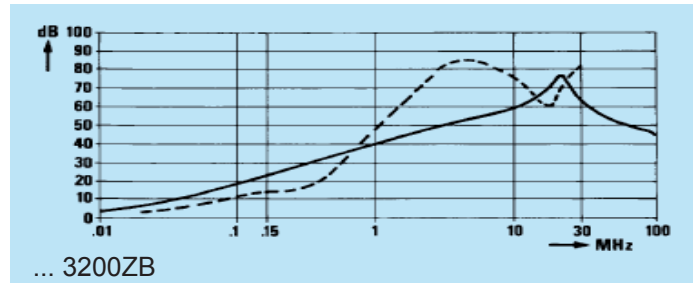
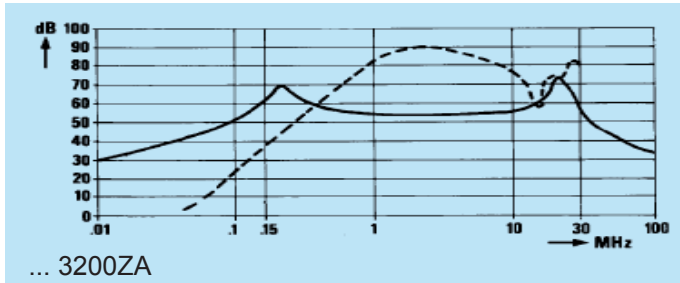
Insertion loss (typical): — Asymmetrical (line to ground) - - - Symmetrical (line to line)

FAK



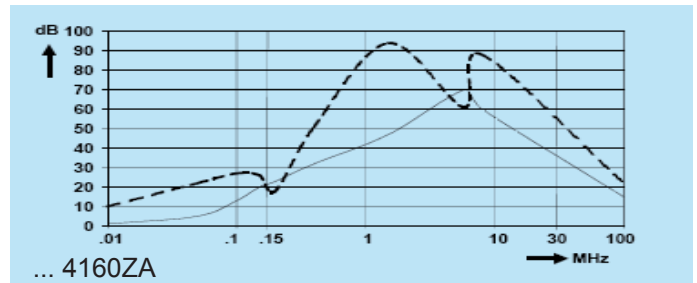
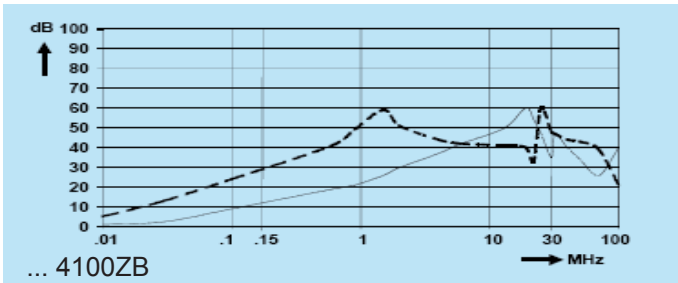
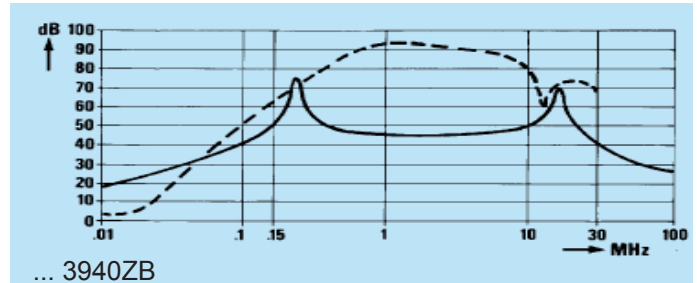
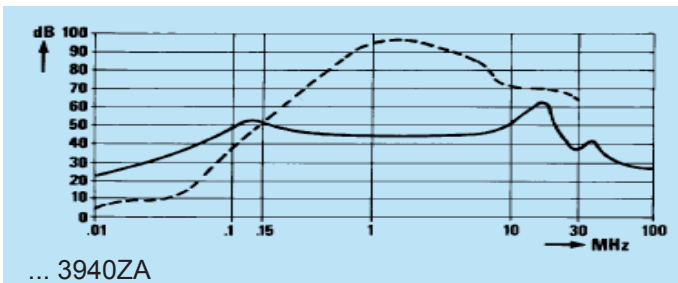
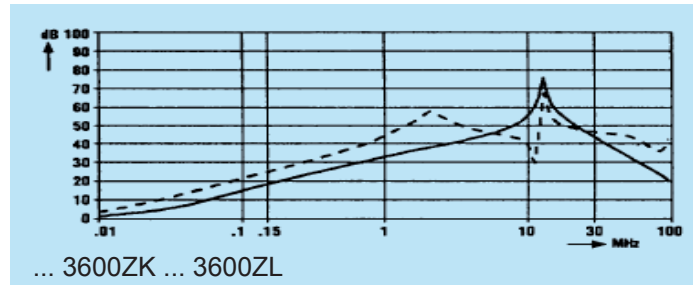
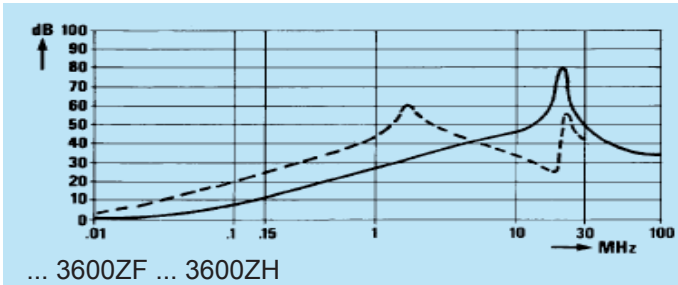
Insertion loss (typical): — Asymmetrical (line to ground) - - - Symmetrical (line to line)

FAM



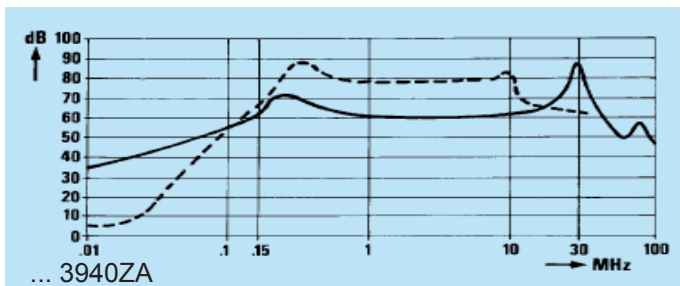
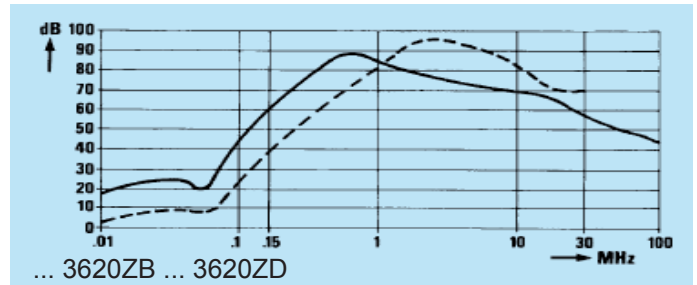
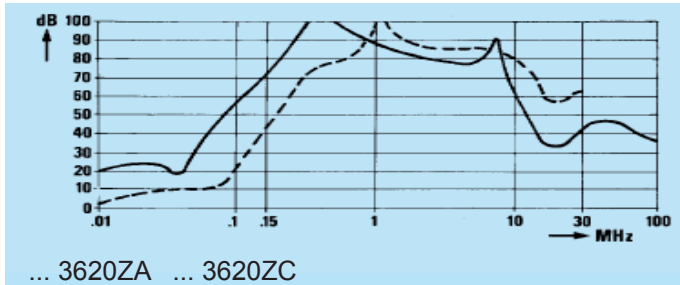
Insertion loss (typical): — Asymmetrical (line to ground) - - - Symmetrical (line to line)

FAM



Insertion loss (typical): — Asymmetrical (line to ground) - - - Symmetrical (line to line)

FAR



FAS

