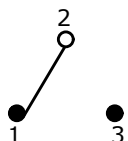


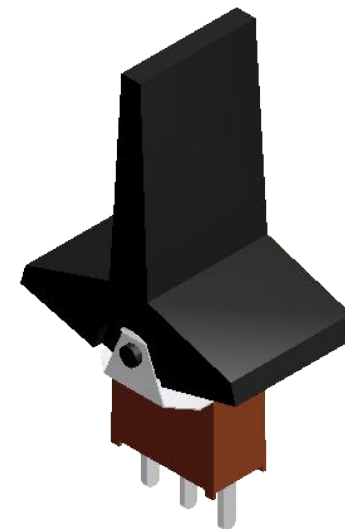
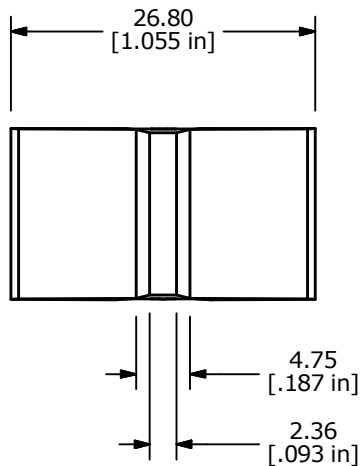
RECOMMENDED P.C. LAYOUT

SWITCH FUNCTION		
POS. 1	POS. 2	POS. 3
(ON)	NONE	(ON)
2-3	OPEN	2-1

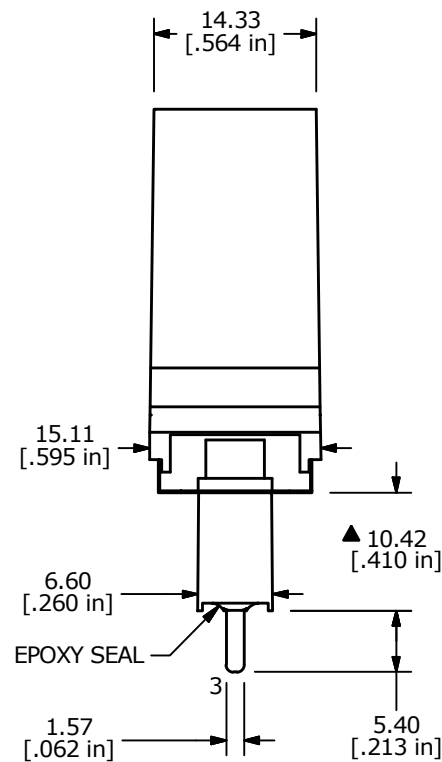
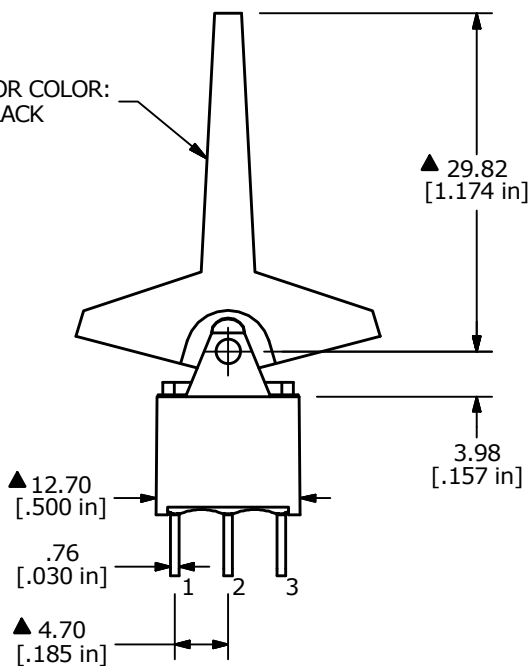
(ON) = MOMENTARY



CIRCUIT: SPDT



▲ ACTUATOR COLOR: BLACK



NOTE:

1. ALL DIMENSIONS IN MM [INCH]
2. GENERAL TOLERANCE: X.X=±0.4  
X.XX=±0.25
3. TERMINAL NUMBERS FOR REF ONLY
- ▲ 4. PLATING MATERIAL: SILVER
5. RATING: 5 AMPS @ 120VAC OR 28VDC UL, CUL  
2 AMPS @ 250VAC UL, CUL
6. ELECTRIC LIFE: 30,000 MAKE-AND-BREAK CYCLES AT FULL LOAD.
7. INSULATION RESISTANCE: 1,000 MEGA-OHM MIN.
8. DIELECTRIC STRENGTH: 1,000 V RMS @SEA LEVEL.
9. OPERATING TEMP.: -30°C to 85°C
10. ▲ DENOTES CRITICAL PARAMETER.



B	22664	UPDATED LAYOUT AND TERMINALS	1/12/17	MJR
A	14311	RELEASED FOR PRODUCTION	9/15/04	AR
REV	PCR NO	DESCRIPTION	DATE	BY

TITLE 300AWSP4J4BLKM3QE				
SCALE 3:2	DATE 9/15/2004	DR AR	DWG T301410	REV B

THE INFORMATION CONTAINED IN THIS DOCUMENT IS PROPRIETARY TO E-SWITCH AND IS NOT TO BE COPIED OR TRANSFERRED