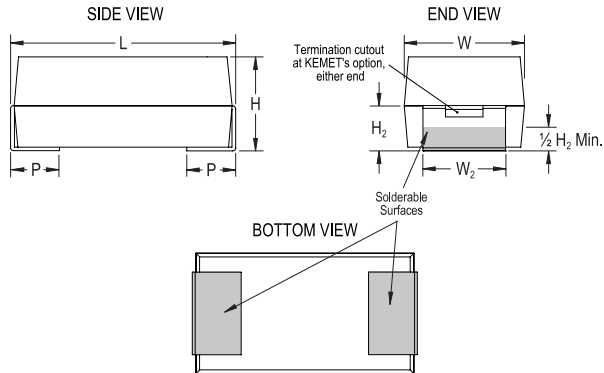


KEMET Part Number: CWR11FC685KB
(T492B685K010BC)

T492_CWR11, Tantalum, MnO2 Tantalum, Military/High Reliability, 6.8 uF, 10%, 10 VDC, SMD, MnO2, Molded, Military Equivalent, B (0.1%/1000 Hrs), 3.5 Ohms, 3528, Height Max = 2.1mm



Dimensions

Footprint	3528
L	3.5mm +/-0.2mm
W	2.8mm +/-0.2mm
H	1.9mm +/-0.2mm
T	0.13mm REF
S	0.8mm +/-0.3mm
F	2.2mm +/-0.1mm
A	2.1mm MIN
B	0.4mm +/-0.15mm
E	2.2mm REF
G	1.8mm REF
K	0.7mm MIN
P	0.35mm MIN
R	1mm REF
X	0.1mm +/-0.1mm

Packaging Specifications

Weight:	102.3 mg
Packaging:	T&R, 178mm
Packaging Quantity:	2500

General Information

Supplier:	KEMET
Series:	T492_CWR11
Dielectric:	MnO2 Tantalum
Style:	SMD Chip
Description:	SMD, MnO2, Molded, Military Equivalent
RoHS:	No
Termination:	Hot Solder Dipped
Qualifications:	MIL-PRF-55365/8, CWR11 Style
Notes:	Note: When Option C Is Selected For Lead Material, Add An Additional 0.38mm To The Tolerances For "L", "W", "H", "K", "F" And "S". P And R Dimensions Represents The Minimum Solderable Area Of The Termination Surface Entirely Below Cutout (If One Is Present)

Specifications

Capacitance:	6.8 uF
Capacitance Tolerance:	10%
Voltage DC:	10 VDC (85C), 6.7 VDC (125C)
Temperature Range:	-55/+125C
Rated Temperature:	85C
Dissipation Factor:	6.00%
Failure Rate:	B (0.1%/1000 Hrs)
Resistance:	3.5 Ohms (100kHz)
Leakage Current:	0.7 uA (20C)
Testing and Reliability:	Standard Testing Only