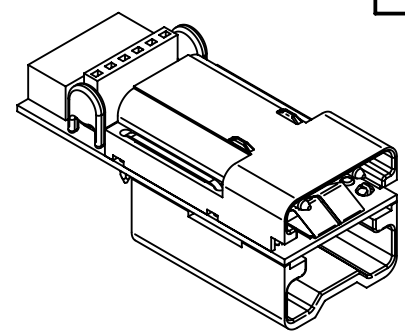


countersunk screw  
M3x6 enclosed separately

mass: elektronick ground  
shielding: capacitive termination of the shielding  
towards the electronic ground  
A,B: data

signal	mass	shielding	A	B
IDC	3,4,7,8	1,2,9,10	6	5
board stacker	2,5	1,6	4	3



	All rights reserved Department EL PD - DE	All Dimensions in mm Original Size DIN A4		Scale 2:1	Free size tol.	Ref. Sub. TB 09 12 006 2611 v. 27.11.02	
		Created by FINKEV	Inspected by SCHNIEDER	Standardisation TIEMANNA	Date 2014-05-19	State Final Release	
HARTING Electric GmbH & Co. KG D-32339 Espelkamp			Title Han Brid-Male-C + Cu-Bus-Modul- Male-C (			Doc-Key / ECM-Nr. 100132574/UGD/005/A 500000073949	
Type TB		Number 09 12 006 2611		Rev. A		Page 1/1	