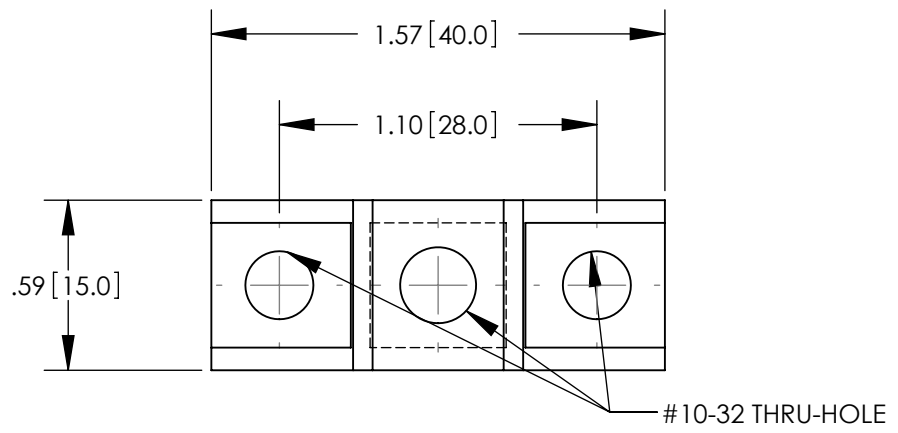
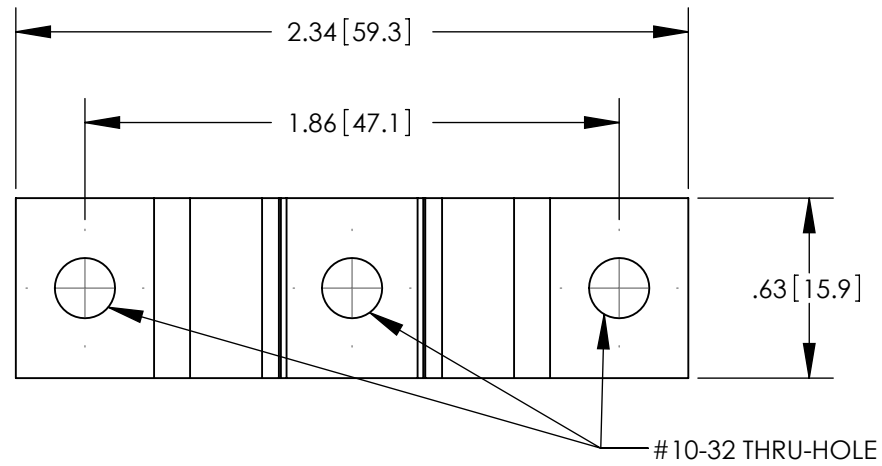
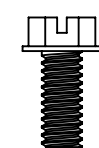
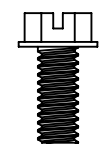
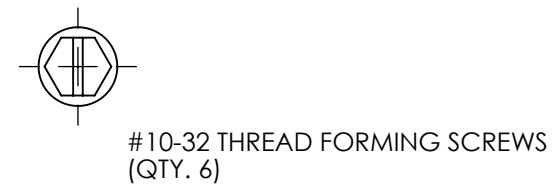
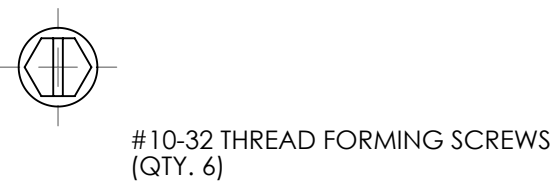
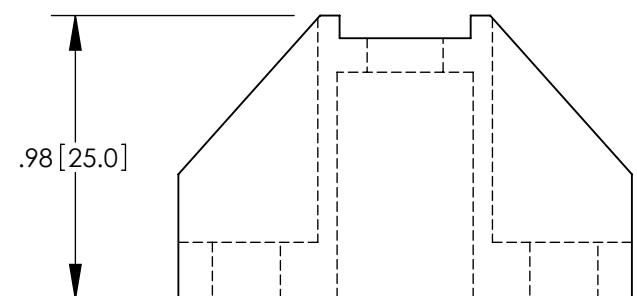
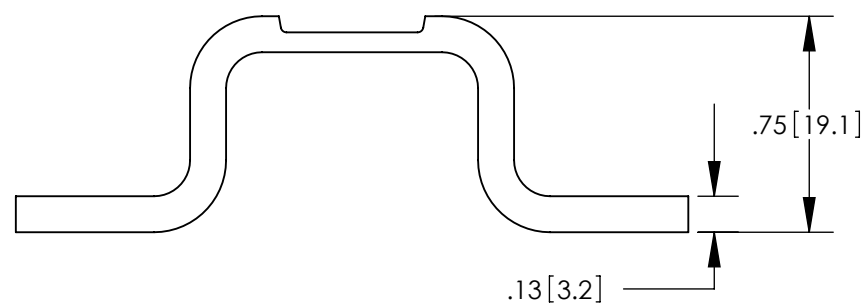


THIS COPY IS PROVIDED ON A RESTRICTED BASIS AND IS NOT TO BE USED IN ANY WAY DETRIMENTAL TO THE INTERESTS OF PANDUIT CORP.



NOTES:

- MATERIAL:
 UGB-B-SO: CDA-110 ELECTROLYTIC COPPER, TIN PLATED
 UGB-IN-SO: DMC GRADE DR17 RED HARD PLASTIC
 UL 94 V-0 (HALOGEN FREE)
 600V OF INSULATION
- DESIGNED FOR USE WITH PANDUIT UNIVERSAL GROUND BAR SYSTEM, UGB2/0 SERIES
- DIMENSIONS IN BRACKETS ARE MILLIMETERS



UGB-B-SO

UGB-IN-SO

										PANDUIT CORP. TINLEY PARK, ILLINOIS			
										UNIVERSAL GROUND BAR BONDING & ISOLATION STAND-OFFS (UGB-B-SO, UGB-IN-SO) CUSTOMER DRAWING			
										UNLESS OTHERWISE SPECIFIED DIMENSIONAL TOLERANCES ARE: (.X) ± (.XXX) ± (.XX) ± .02 [0.5] ANGLES ±		UNLESS OTHERWISE SPECIFIED, ALL DIMENSIONS ARE GIVEN IN INCHES, THIRD ANGLE PROJECTION	
										DRAWN BY JHNU		SCALE NONE	
										DATE 1/12		DRAWING NO / CAD FILE 10J017CC-JC	
										CHK'D SRBI		DWG B SIZE	
00	1/12	JHNU	SRBI	RELEASED TO PRODUCTION	10J017CC-JC	RGB	RGB						
REV	DATE	BY	CHK	DESCRIPTION	ECN	-R	SUP						