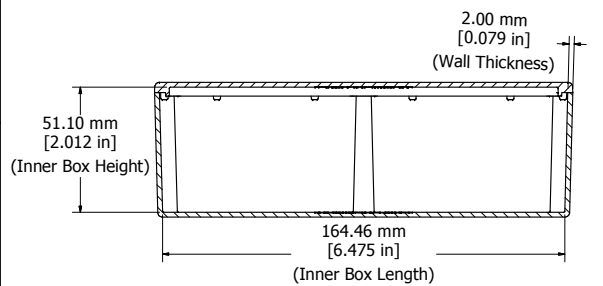
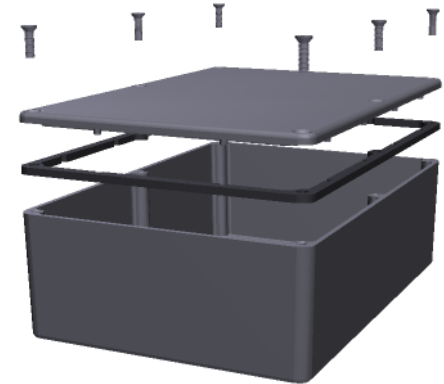
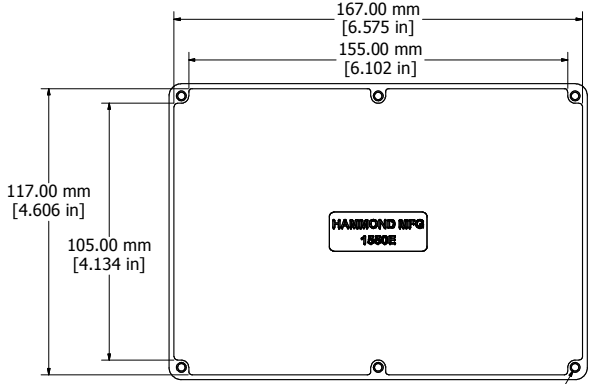


Top View of Assembly

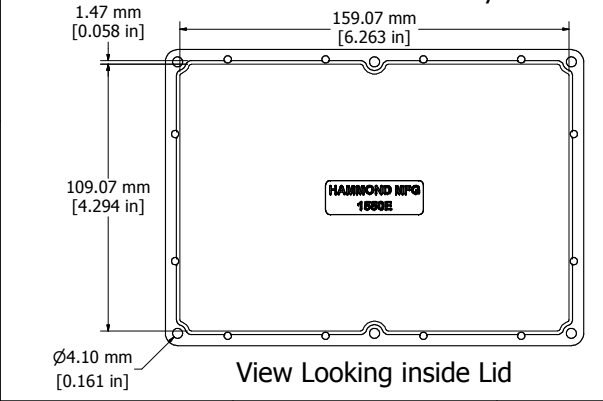
SECTION A-A
End View of Assembly



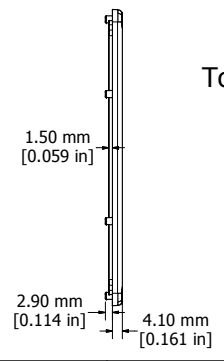
SECTION B-B
Side View of Assembly



Top View Looking Inside Box



View Looking inside Lid



Enclosures can be Factory Modified (Milling, Drilling, Printing etc.)
Contact Factory mjm@hammondmfg.com for quotes
Solid models of this enclosure available in STEP or IGES.

| NOTE | |
|---|-------------|
| Purchased assembly includes box, lid, and 6 cover screws. Box and lid are made from Diecast Aluminum Alloy. EVA Foam Gasket supplied with Liquid Resistant Enclosures | |
| PART NUMBERS | |
| 1550E Enclosure | |
| Unfinished | 1550E |
| Black Textured Polyester Powder Paint | 1550EBK |
| 1550WE Liquid Resistant Enclosure (Silicon Factory Installed Gasket) | |
| Unfinished | 1550WE |
| Black Textured Polyester Powder Paint | 1550WEBK |
| Accessories | |
| Recommended Torque: 75 ozf.in / 55 cN.m | |
| Unfinished Cover Screws (Pkg 100) [M3.5 x 0.6 18-8 SS] | 1550MS100 |
| Black Cover Screws (Pkg 100) [M3.5 x 0.6 18-8 SS] | 1550MS100BK |

HAMMOND MANUFACTURING™
1550WE
www.hammondmfg.com