

4

3

2

1

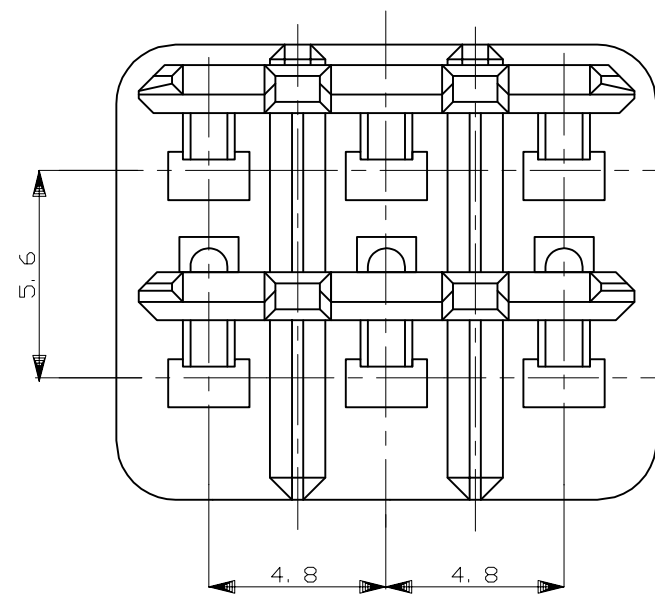
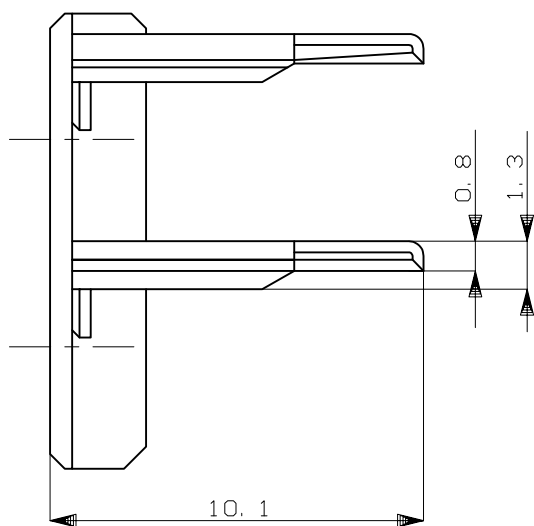
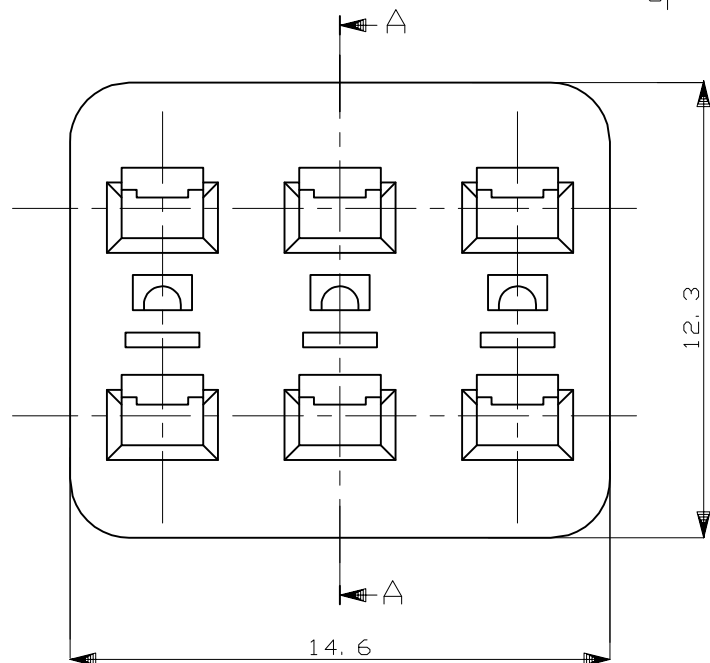
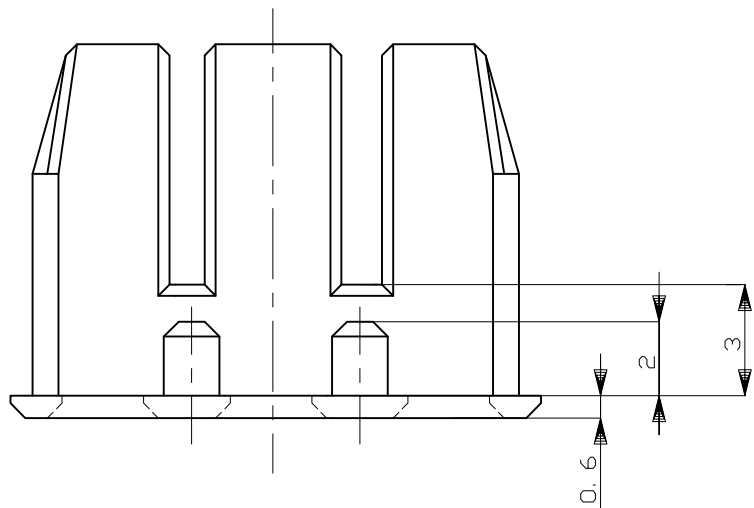
THIS DRAWING IS UNPUBLISHED.

RELEASED FOR PUBLICATION

© COPYRIGHT - By -

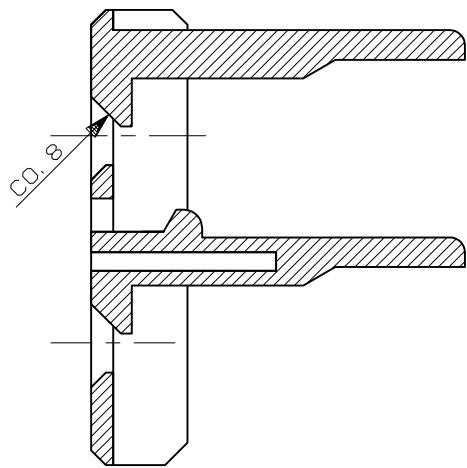
ALL RIGHTS RESERVED.

LOC	DIST	REVISIONS					
		P	LTR	DESCRIPTION	DATE	DWN	APVD
J	-	B1	REVISED	ECR-15-000191	08JAN2014	TS	KB



1. 本品は、キャップハウジング型番174262に装着される。


1. TO BE MATED WITH CAP HOUSING PN 174262



SECT 断面 A-A

GENERAL TOLERANCE

0 < * ≤ 10	: ±0.2
10 < * ≤ 30	: ±0.25
30 < * ≤ 100	: ±0.3
ANGLES	: ±3°

THIS DRAWING IS A CONTROLLED DOCUMENT.		DWN	T.SAGAWA	5/16'89	 TE Connectivity											
DIMENSIONS: mm		CHK	Y.MATSUSAKA	5/26'89												
TOLERANCES UNLESS OTHERWISE SPECIFIED:		APVD	M.NOGUCHI	5/31'89												
<table border="1"> <tr><td>0 PLC</td><td>± -</td></tr> <tr><td>1 PLC</td><td>± -</td></tr> <tr><td>2 PLC</td><td>± -</td></tr> <tr><td>3 PLC</td><td>± -</td></tr> <tr><td>4 PLC</td><td>± -</td></tr> <tr><td>ANGLES</td><td>± -</td></tr> </table>		0 PLC	± -	1 PLC		± -	2 PLC	± -	3 PLC	± -	4 PLC	± -	ANGLES	± -	NAME	
0 PLC	± -															
1 PLC	± -															
2 PLC	± -															
3 PLC	± -															
4 PLC	± -															
ANGLES	± -															
MATERIAL	PBT	FINISH	-	PRODUCT SPEC	108-5262											
APPLICATION SPEC		WEIGHT	-	SIZE	A3											
CUSTOMER DRAWING		SCALE		5:1	CAGE CODE	00779										
RESTRICTED TO		DRAWING NO		C=174263	SHEET	1 of 1										
REV		REV		B1												