

1. 製品名称／PRODUCT NAME : 0.35 BB CONN. H=0.6 SSB6 RP REC. ASSY EMBOSSED TAPE PACKAGING
 製品番号／PART NUMBER : 505066-**-20
 505066-**-80 (Checker)
 (**は極数を示す)
 (** IS CIRCUITS SIZE)

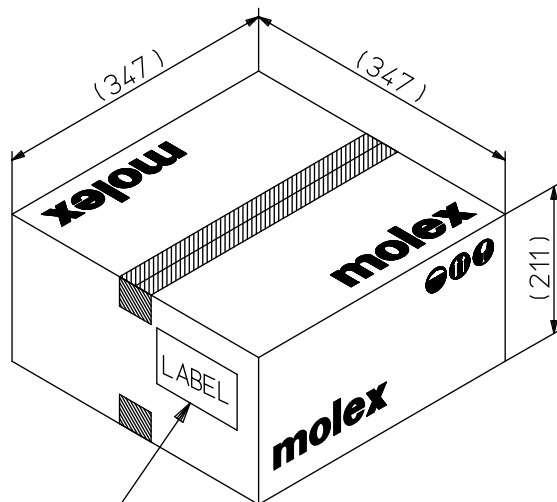
2. 標準梱包数／STANDARD PACKAGING QUANTITY

極数 CKT. SIZE	キャリア テープ幅 (mm) CARRIER TAPE WIDTH (mm)	1 リール中の製品数 QTY. PER REEL	外装カートン SHIPPING CARTON	
			梱包リール数 NUMBER OF REELS	製品数 QUANTITY
6	16	6,000	8	48,000
10				
12				
14				
16				
20				
22				
24	24	6,000	6	36,000
30				
34				
40				
42				
48				
50				
54				

REV.	C							
SHEET	1~2							
REVISE ON PC ONLY				TITLE:				
C	REVISED 111138 2016/12/06 Y.TOKUZONO			505066 梱包仕様書 SALES PACKAGING SPEC. FOR 505066				
	THIS DOCUMENT CONTAINS INFORMATION THAT IS PROPRIETARY TO MOLEX ELECTRONIC TECHNOLOGIES, LLC AND SHOULD NOT BE USED WITHOUT WRITTEN PERMISSION							
REV.	DESCRIPTION			WRITTEN BY:	CHECKED BY:	APPROVED BY:	DATE: YR/MO/DAY	
	DESIGN CONTROL	STATUS		T.NAKAGAWA	T.HARUYAMA	H.HIRATA	2015/03/04	
DOCUMENT NUMBER							FILE NAME	SHEET
SPK-505066-002							SPK505066002.docx	1 OF 2
EN-037(2015-11 rev.1)								

3. カートン外形参考寸法 / CARTON OUTER DIMENSIONS (REFERENCE PURPOSE ONLY)

単位 / UNIT: mm



カートンラベル
CARTON LABEL

(製品型番, 数量, ロットNO. 表示)
INDICATION OF PART No., QUANTITY, LOT No.

標準カートン
STANDARD CARTON

REVISE ON PC ONLY		TITLE:	
C	SEE SHEET 1 OF 2	5 0 5 0 6 6 梱包仕様書 SALES PACKAGING SPEC. FOR 505066	
	REV.	DESCRIPTION	THIS DOCUMENT CONTAINS INFORMATION THAT IS PROPRIETARY TO MOLEX ELECTRONIC TECHNOLOGIES, LLC AND SHOULD NOT BE USED WITHOUT WRITTEN PERMISSION
DOCUMENT NUMBER SPK-505066-002		FILE NAME SPK505066002.docx	SHEET 2 OF 2
EN-037(2015-11 rev.1)			