

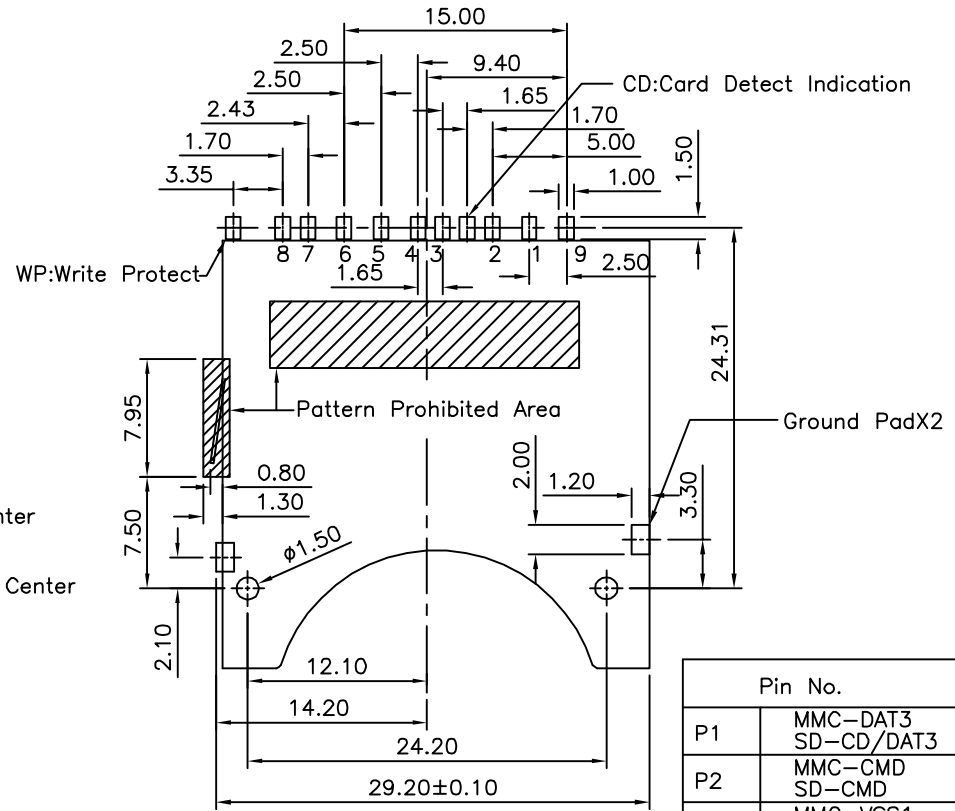
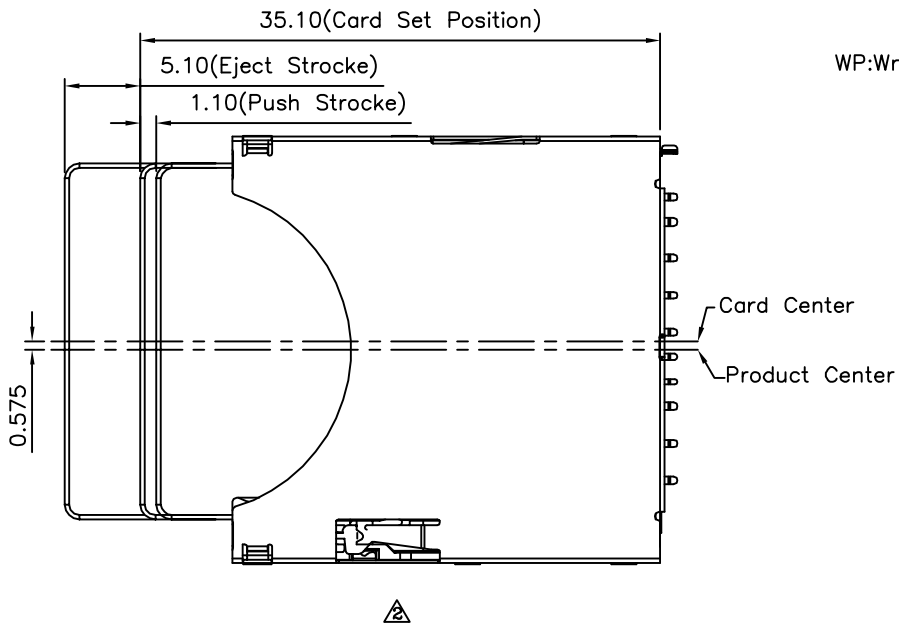
SPECIFICATION

1. General Characteristics
SD Card 9P SMT 90° Push Push Type
Standoff 0.0/mm Normal
2. Material & Finish
Insulator: LCP(UL94V-0), Black
Contact: Phosphor Bronze, Selective Gold Flash On Contact Area, Tin Plated On Solder Tails, Over Nickel
Shell: Stainless, Nickel Plated
Gold Flash On Solder Tails
Ground: Phosphor Bronze, Tin Plated
3. Electrical Characteristics
Current Rating: 0.5A
Operating Voltage: 250V AC/DC
Contact Resistance: 100 Milliohms Max.
Insulation Resistance: 1000 Megaohms Min. At 250V DC
Dielectric Withstanding Voltage: 500V AC/Minute
4. Mechanical Characteristics
Mating Cycles: 10000 Cycles, Spring Is Not Breaking
5. Environmental Characteristics
Operating Temperature: -40°C ~ +65°C
6. RoHS Compliant

4UCON 元化興業股份有限公司
4UCON TECHNOLOGY INC.

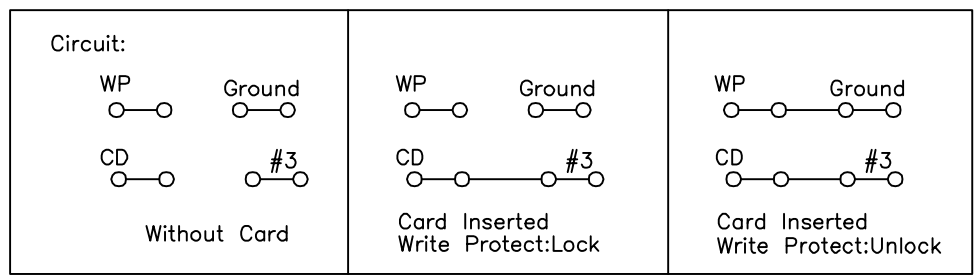
DRAWING No.		APPROVED BY		UNLESS OTHERWISE SPECIFIED TOLERANCES ARE
19608		MEI		
		CHECKED BY		
		HZF		X. ±0.50 X.* ±5*
		DRAWING BY		.X ±0.25 .X.* ±2*
		SONG		.XX ±0.15 .XX.* ±1*
SCALE	NONE	REV.	A2	UNIT
				mm

NO.	REV.	REVISIONS	CHK	DATE
△A2		Modify Data	HZF	05/09/2013
△A1		Modify Data	HZF	07/11/2012
△A0		NEW RELEASE	HZF	11/30/2011



△ Recommended P.C.B. Layout (All Tolerance Are ±0.05)

Pin No.		SD	MMC
P1	MMC-DAT3 SD-CD/DAT3	1P	1P
P2	MMC-CMD SD-CMD	2P	2P
P3	MMC-VSS1 SD-VSS1	3P	3P
P4	MMC-VDD SD-VDD	4P	4P
P5	MMC-CLK SD-CLK	5P	5P
P6	MMC-VSS2 SD-VSS2	6P	6P
P7	MMC-DAT0 SD-DAT0	7P	7P
P8	SD-DAT1	8P	—
P9	SD-DAT2	9P	—



4UCON 元化興業股份有限公司
4UCON TECHNOLOGY INC.

DRAWING No.		APPROVED BY		UNLESS OTHERWISE SPECIFIED TOLERANCES ARE X. ±0.50 X.* ±5* .X ±0.25 .X* ±2* .XX ±0.15 .XX* ±1*
19608		MEI		
		CHECKED BY		
		HZF		
		DRAWING BY		UNIT mm
		SONG		
SCALE	NONE	REV.	A2	

NO.	REV.	REVISIONS	CHK	DATE
△A2		Modify Data	HZF	05/09/2013
△A1		Modify Data	HZF	07/11/2012
△A0		NEW RELEASE	HZF	11/30/2011