



Copyright FCI.

A

B

C

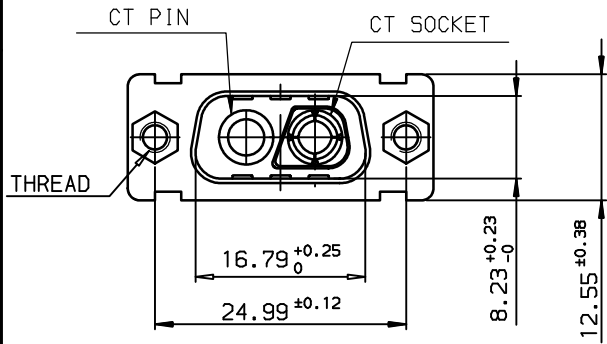
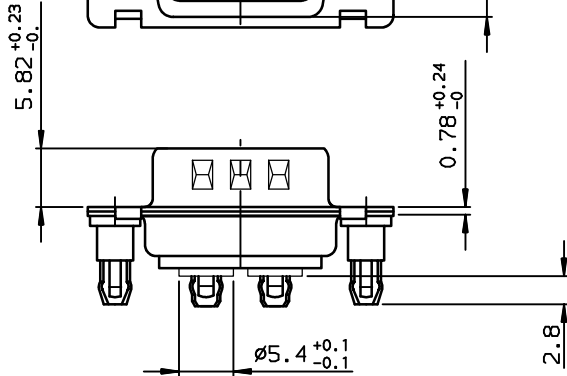
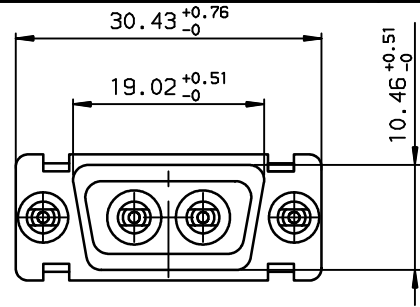
D

A

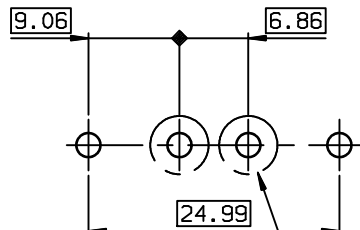
B

C

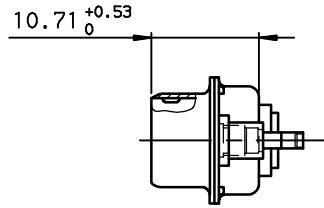
D



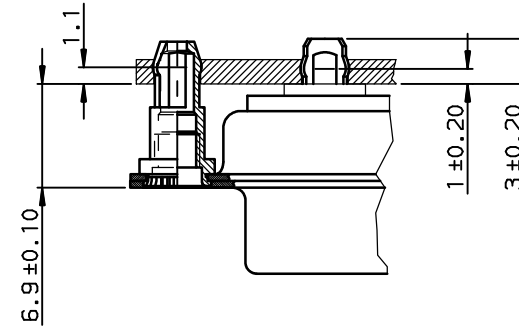
LAYOUT DIMENSIONS (after plating)
CONNECTOR SIDE VIEW



REV F - 2006-04-17



DETAIL OF PRESS FIT
Scale: 3



DE02V2P93C6G40	UNC 4.40
DE02V2P93C5G40	UNC 4.40
DEL2V2P93C6G40	M3
DEL2V2P93C5G40	M3
PART NUMBER	Threaded A

GENERAL CHARACTERISTICS : SEE DRAWING C01-8639-0002

European Views

www.fciconnect.com		surface ISO 1302 ✓	tolerance std ISO 406 ISO 1101	projection mm
		TOLERANCES UNLESS OTHERWISE SPECIFIED		size A3
Dr	PESSON	1997/05/06	0.x ± 0.1	Scale 2
Eng	PESSON	1997/05/06	0.xx ± 0.1	ECN LS06-0097
Chr	LEGARE	1997/05/06	0.xxx ± 0.1	Spec ref -
Appr	LEGARE	1997/05/06	Product family D-SUB	
		MALE CONNECTOR 2V2 with s power press fit		C01-8639-1525 Rev. J
catalog no		-		CUSTOMER sheet 1 of 1

rev	ecn no	dr	date
F	-	BAR	2003/11/07
G	LS05-004	MPE	2005/02/08
H	LS05-0090	LGO	2005/10/13
J	LS06-0097	LGO	2006/07/29
-	-	-	-
-	-	-	-
-	-	-	-