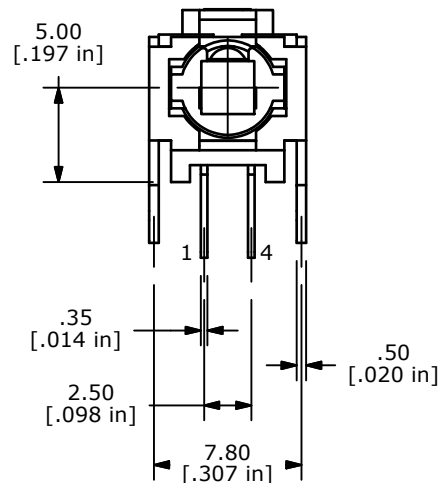
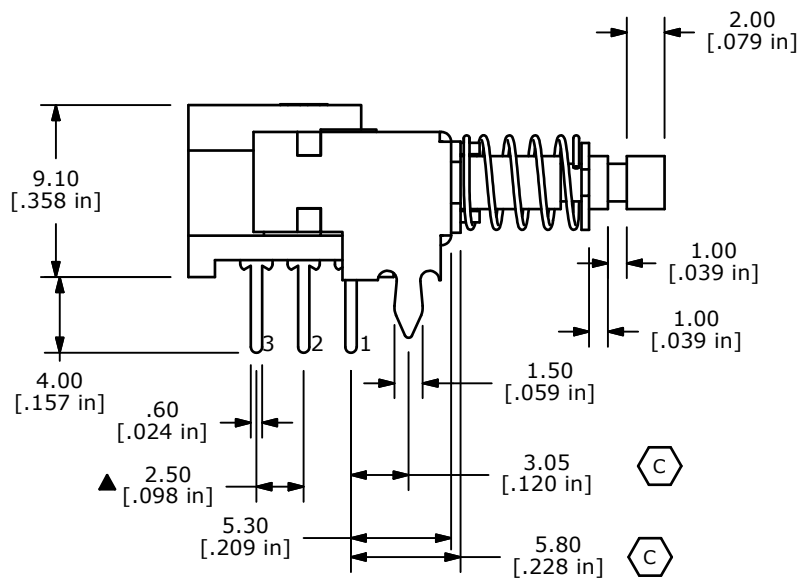


NOTES:

1. ALL DIMENSIONS IN MM [INCH]
2. GENERAL TOLERANCE: X.X=±0.4  
X.XX=±0.25
3. TERM. NOS. FOR REFERENCE ONLY.
4. RATING 0.1A @30V DC
- ▲ 5. MATERIALS:  
CONTACT/TERMINALS: SILVER PLATE  
HOUSING: PBT UL94HB  
BASE: PA66 UL94HB  
ACTUATOR: POM
6. CONTACT RESISTANCE: 100 mΩ (INITIAL)
- ▲ 7. TIMING: SHORTING (MBB)
8. OPERATING FORCE: 230±50GF
9. TRAVEL: MOMENTARY  
3MM OVERALL
10. ELECTRICAL LIFE: 10000 CYCLES
11. OPERATING TEMP: -20°C TO +70°C
12. ▲ DENOTES CRITICAL PARAMETER.
13. 2002/95/EC (ROHS) COMPLIANT



D	19753	CHANGE DIMENSION POINT TO BRACKET	3/10/11	BGL
C	1970	CIRCUIT DIAGRAM AND DIM CHANGES	2/10/11	BGL
B	15942	MOVE KZX 0.45MM CLOSER TO SWITCH	4/4/06	BK
A	15635	RELEASED FOR PRODUCTION	1/5/06	PH
REV	PCR NO	DESCRIPTION	DATE	BY

THE INFORMATION CONTAINED IN THIS DOCUMENT IS PROPRIETARY TO E-SWITCH AND IS NOT TO BE COPIED OR TRANSFERRED



TITLE PBH2UOAKZXSAGX

SCALE	DATE	DR	DWG	REV
2.5:1	1/5/2006	PH	Q960016	D