

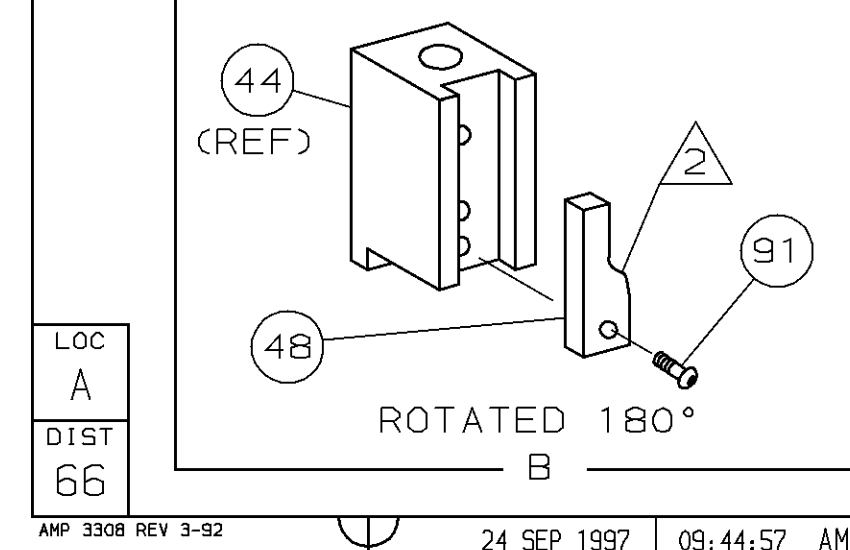
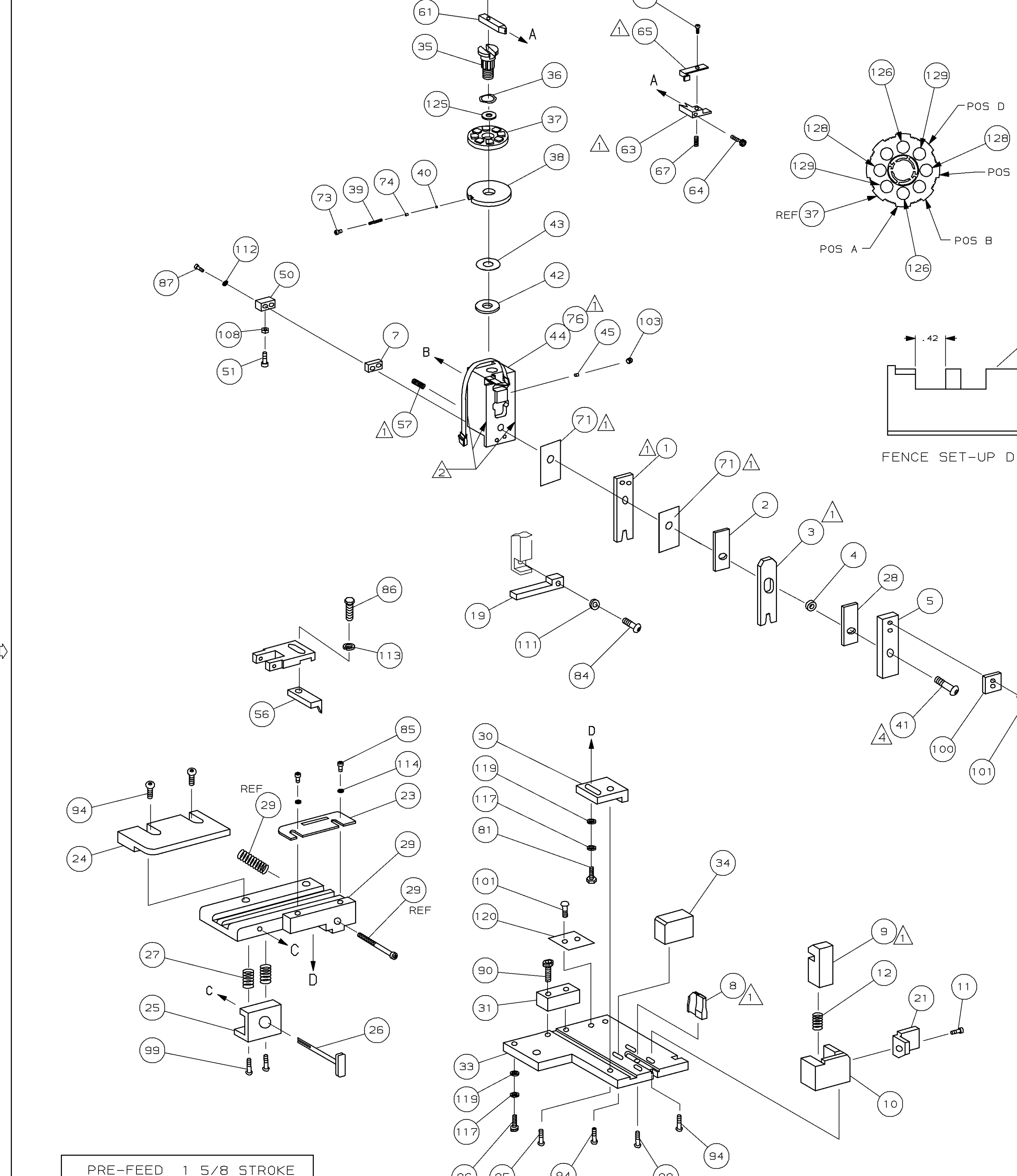
PART NUMBER	REV	FIRST USED
567864-1	B	854040-4

TERMINAL NAME: RECEPTACLE						
PAD LTR	VISIBLE	CRIMPING DATA		WIRE SIZE	RANGE	TYPE
		CRIMP HEIGHT	WIRE SIZE			
A		.051 ±.002	[1.30 ±0.05mm]	16		
B		.044 ±.002	[1.12 ±0.05mm]	18		
C		.040 ±.002	[1.02 ±0.05mm]	20		
D		NOT		USED		
WIRE		.090	[2.29mm]	F	20-16	
INSUL		.120	[3.05mm]	F	-	
WIRE STRIP LENGTH	TERM APPL SPEC	FEED	APPL INSTRUCTION	SET UP GAGE	LAYOUT	
.197-.237	NONE	.495	SEE CUSTOMER MANUAL	NONE	L1885	

STANDARD FORCE CRIMP QUALITY MONITOR APPLICATOR
BENCH MODEL K11

QTY	REV	DESCRIPTION	ITEM NO
			70
			69
			68
1	-	A 2-21010-7 SCR, SET (6-32x.12) LIFT ARM	67
1	-	B 1-21002-6 SCR, BHC (6-32x.25) LEVER	66
1	-	B 856044-1 LEVER, SLIDE LOCK	65
1	-	A 2-21000-0 SCR, SHC (6-32x.50) LIFT ARM	64
1	-	B 856043-1 ARM, LIFT	63
1	-	A 2-21000-6 SCR, SHC (8-32x.38) EXT ARM	62
1	-	B 856042-1 ARM, EXTENSION	61
			60
			59
			58
1	-	A 7-21013-3 SCR, SET (5/16x.38) CR BOLT	57
REF	-	B 694433-8 PAWL, FEED	56
			55
			54
			53
			52
1	-	A 811242-2 BUMPER, HOLDDOWN	51
1	-	A 690753-1 SPACER, TONKER	50
			49
1	-	A 690602-6 CAM, PRE-FEED 1.62 STROKE	48
			47
			46
1	-	A 690191-1 PLUG, NYLON	45
1	-	C 853493-4 SIDE FEED RAM ASSY	44
1	-	A 690125-1 WASHER, LAMINATED	43
1	-	A 690124-1 WASHER, RAM	42
1	-	A 7-21002-9 BOLT, CRIMPER (5/16x1.00)	41
1	-	A 23241-6 BALL, STEEL	40
1	-	A 690170-1 SPRING, COMPRESSION	39
1	-	C 690142-3 DISC, INSULATION	38
1	-	D 354777-1 WIRE DISC, PLASTIC	37
1	-	A 22480-5 WASHER, SPRING	36
1	-	B 856041-1 POST, RAM	35
1	-	B 690786-1 SUPPORT, TERMINAL	34
1	-	C 462544-1 PLATE, BASE SPECIAL	33
			32
1	-	B 462543-1 BLOCK, SCREW SPECIAL	31
1	-	B 455689-1 BLOCK, STRIP GUIDE ADJ	30
1	-	C 318042-1 STRIP GUIDE PLATE ASSY	29
1	-	C 455888-5 SPACER, FRONT SHEAR DEP	28
2	-	A 1-22284-0 SPRING, DRAG	27
1	-	B 690546-1 LEVER, DRAG RELEASE	26
1	-	B 240792-1 DRAG, TERMINAL	25
1	-	D 6-690504-8 GUIDE, STRIP (REAR)	24
1	-	A 690438-1 GUIDE, STRIP (FRONT)	23
			22
1	-	A 463756-1 GUIDE, SCRAP	21
			20
REF	-	C 462615-1 STRIPPER	19
			18
			17
			16
			15
			14
			13
1	-	A 5-22280-0 SPRING, SHEAR	12
1	-	B 1-690461-6 STOP, SHEAR (FRONT)	11
1	-	B 462548-1 HOLDER, SHEAR (FRONT) SP	10
1	-	B 462547-1 SHEAR, FLOAT (FRONT) SP	9
1	-	C 904132-5 ANVIL	8
1	-	C 240641-9 SPACER, DEPRESSOR (REAR)	7
			6
1	-	A 462838-1 DEPRESSOR, SHEAR (FRONT) SP	5
1	-	B 238011-7 SPACER, BLOCK CRIMPER	4
1	-	C 1213077-2 CRIMPER, INSULATION	3
1	-	C 1-455888-0 SPACER, CRIMPER	2
1	-	C 1-456406-6 CRIMPER, WIRE	1

QTY	REV	DESCRIPTION	ITEM NO
2	-	C 5-354779-5 PIN, WIRE DISC (.3265)D	129
2	-	C 3-354779-6 PIN, WIRE DISC (.3170)C	128
			127
2	-	C 6-354779-2 PIN, WIRE DISC (.3300)A	126
1	-	A 986950-1 WASHER, FLAT PRECISION	125
1	-	A 217238-4 DOCUMENTATION PACKAGE	124
			123
			122
			121
1	-	B 690701-2 PLATE, SERIAL NO.	120
2	-	A 21899-2 WASHER, FLAT (#10) S G ADJ BLK	119
			118
2	-	A 21024-5 WASHER, LOCK (#10) ADJ BLOCK	117
			116
			115
2	-	A 21024-2 WASHER, LOCK (#4) FRONT STP GUIDE	114
REF	-	A 21024-4 WASHER, LOCK (#8) FEED FINGER	113
2	-	A 21024-4 WASHER, LOCK (#8) DEP-HOLD	112
REF	-	A 21024-4 WASHER, LOCK (#8) STRIPPER	111
			110
			109
1	-	A 21018-5 NUT, HEX (#6) HOLD DOWN	108
			107
			106
			105
			104
1	-	A 21009-2 SCR, SKT SET (1/4-20x.25 LW) RAM	103
			102
4	-	A 21017-2 SCR, DRIVE (#2x.19) ID PLATE	101
1	-	B 819347-1 PLATE, IDENTIFICATION	100
2	-	A 3-21002-0 SCR, BHC (10-32x.88) DRAG	99
1	-	A 22733-8 SCR, BHC (8-32x.38 LW) ANVIL	98
			97
1	-	A 3-21000-8 SCR, SHC (10-32x.88) MOUNTING	96
1	-	A 2-21002-7 SCR, BHC (10-32x.50) S G ADJ BLK	95
6	-	A 2-21002-2 SCR, BHC (8-32x.50) SHEAR-TERM SUP	94
			93
			92
1	-	A 1-21002-7 SCR, SHC (6-32x.50) CAM	91
2	-	A 2-21000-7 SCR, SHC (8-32x.50) SCR BLK	90
			89
			88
2	-	A 2-21000-8 SCR, SHC (8-32x.59) DEP-HOLD DOWN	87
REF	-	A 2-22603-0 SCR, HEX HD (8-32x.31) FEED FINGER	86
2	-	A 1-21000-3 SCR, SHC (4-40x.25) F ST GUIDE	85
REF	-	A 22733-9 SCR, BHC (8-32x.50 SL) STRIPPER	84
			83
			82
1	-	A 3-22603-1 SCR, HEX (10-32x.38) S G ADJ BL	81
			80
			79
			78
2	-	B 463310-4 BLADE, STRIPPING (#18)	77
-	-	D 354440-3 FFC LOOP ASSY	76
			75
1	-	A 690603-1 SPRING, ASSIST	74
1	-	A 23030-1 SCR, SKT CAP (6-32x.25) CP DSC	73
			72
2	-	B 853495-1 GASKET	71
			70



QTY	REV	DESCRIPTION	ITEM NO
-1	U/M	DWG SIZE	
		PART NO	
		DESCRIPTION	
		ITEM NO	

QTY	REV	DESCRIPTION	ITEM NO
-1	U/M	DWG SIZE	
		PART NO	
		DESCRIPTION	
		ITEM NO	

REVISION OF EACH ASSY NO (WHEN BLANK, USE DWG REVISION)

MATL - HT TR - FIN -

DR P. MATHIAS 25JUL97 APP J. HIRNEISEN 25JUL97
CHK C. ERISMAN 25JUL97 REL -
2 PLC DEC ±.02
3 PLC DEC ±.
4 PLC DEC ±.
ANGLES ± -
SURF TEXTURE: ✓
REMOVE BURRS, BREAK SHARP EDGES R.015 MAX

NAME CQM STRIPPER CRIMPER APPLICATOR MACHINE REF STRIPPER CRIMPER
SCALE - DWG NO 567864 SHEET 1 OF 1 REV B