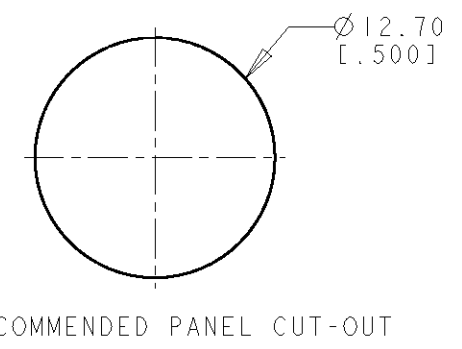
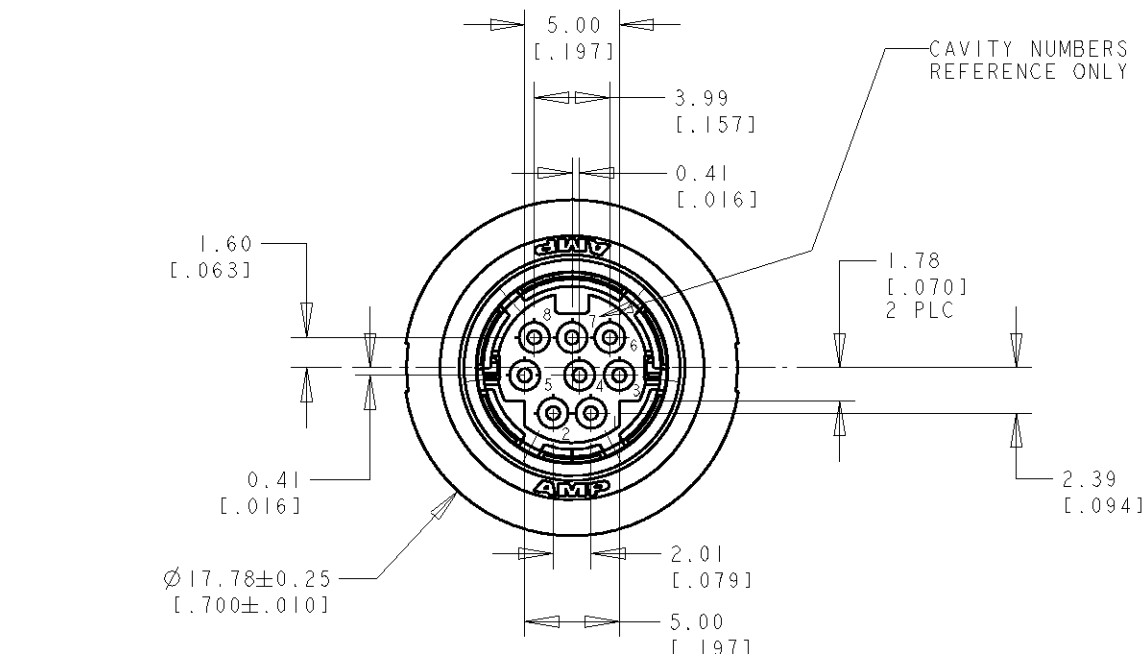
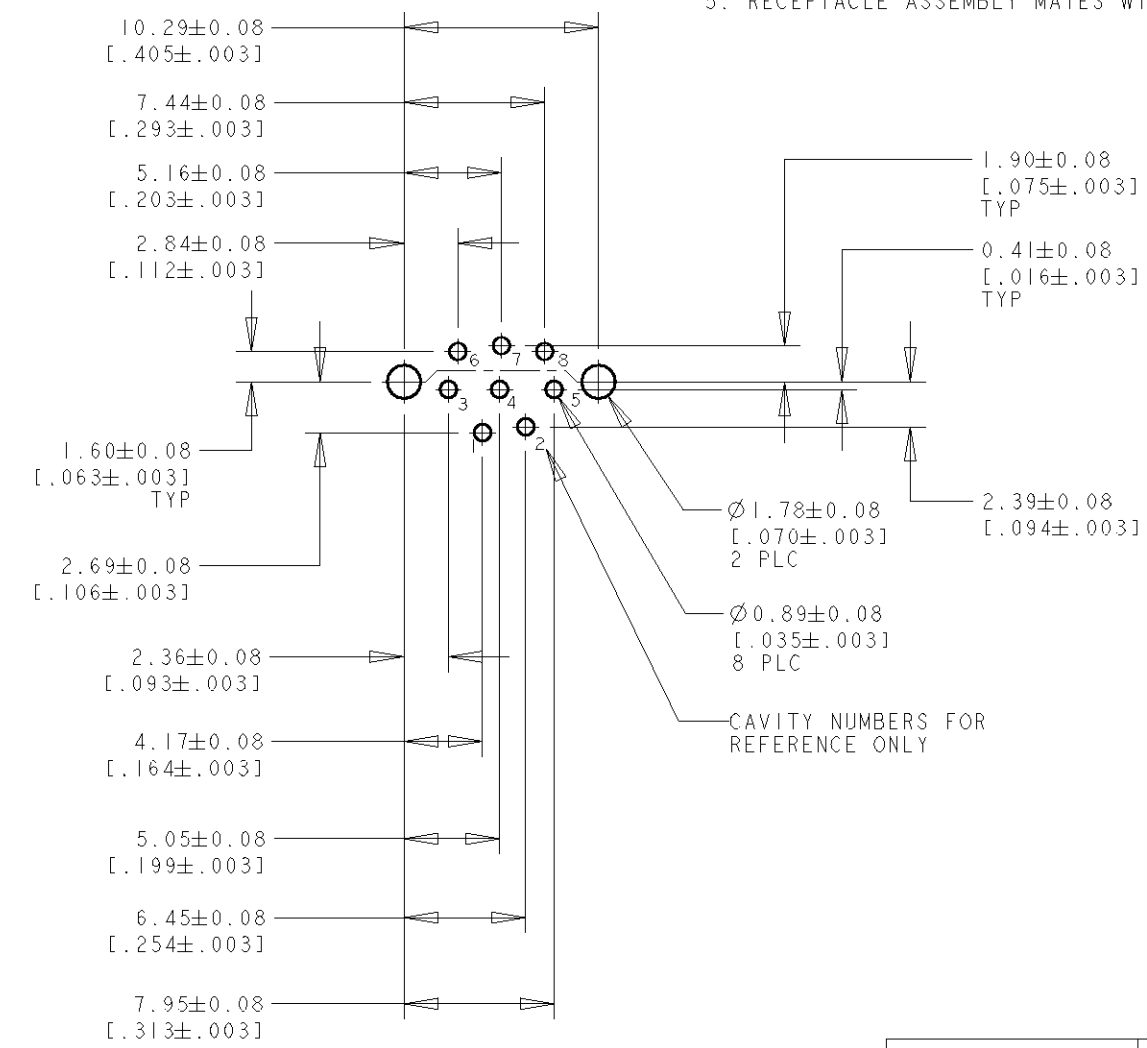
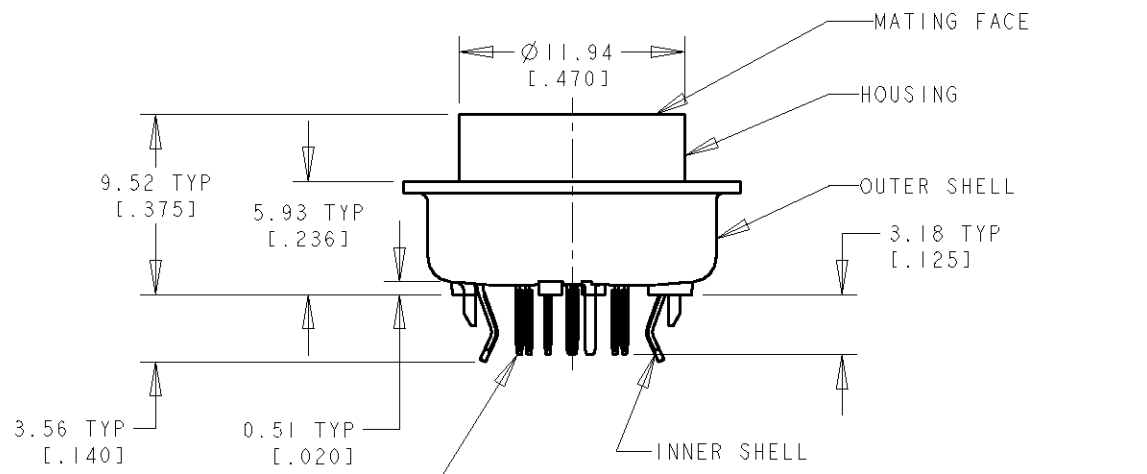


THIS DRAWING IS UNPUBLISHED. RELEASED FOR PUBLICATION .19
 © COPYRIGHT 19 BY AMP INCORPORATED. ALL RIGHTS RESERVED.

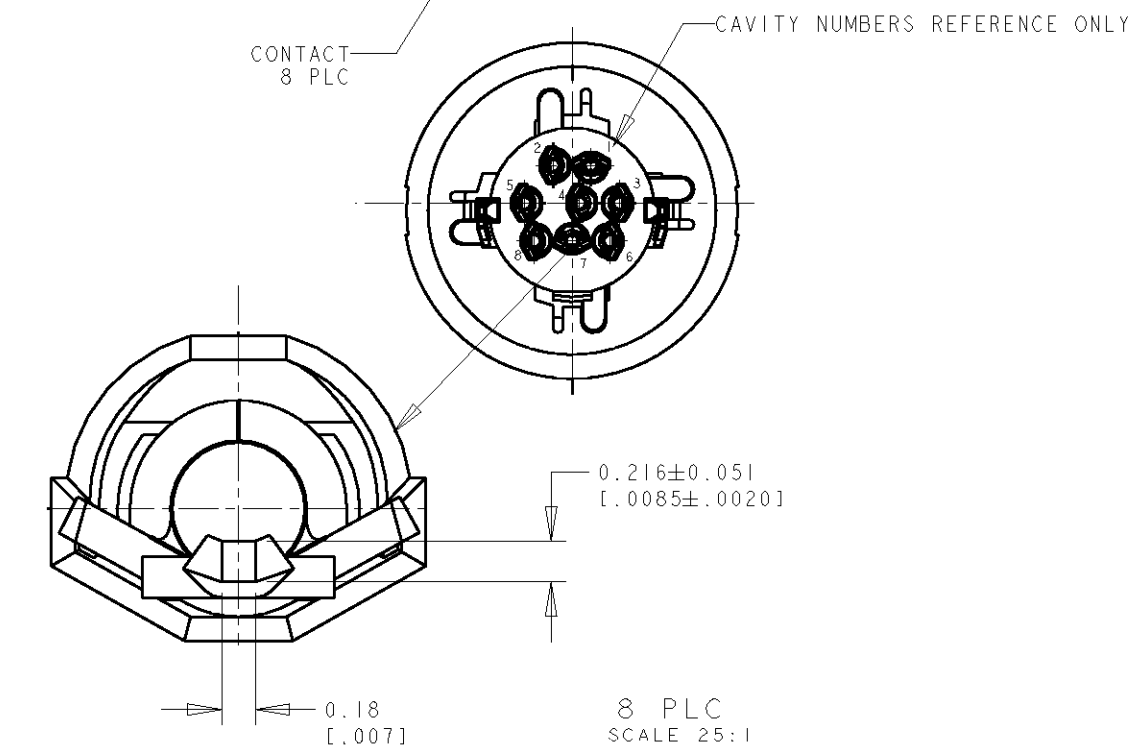
LOC	DIST	REVISIONS					
		P	LTR	DESCRIPTION	DATE	DWN	APVD
DY	-	0		NPR ECR-05-005092	17JUN05	LWY	SYJ



- NOTES:
- 1 SHELLS: BRASS
CONTACTS: PHOSPHOR BRONZE
HOUSING: POLYESTER, UL 94V-0 RATED, BLACK
 - 2 0.38um [.000015] MIN GOLD ON MATING END FOR A LENGTH OF 1.37 [.054] MIN ON INSIDE, 2.54um [.000100] MIN TIN FOR A LENGTH OF 3.30um [.130] MIN FROM OPPOSITE END, ALL OVER 1.27um [.000050] MIN NICKEL
 - 3 2.54um [.000100] MIN TIN OVER 2.54um [.000200] MIN COPPER
 - 4 3.81um [.000150] MIN TIN OVER 1.27um [.000050] MIN NICKEL OR COPPER
 - 5. RECEPTACLE ASSEMBLY MATES WITH 8 PIN, Ø8.99±0.10 [.354±.004] PLUG



RECOMMENDED PC BOARD LAYOUT
BOTTOM VIEW



4	3	2	5750338-1
OUTER SHELL FINISH	INNER SHELL FINISH	CONTACT FINISH	PART NO.

THIS DRAWING IS A CONTROLLED DOCUMENT FOR AMP INCORPORATED. IT IS SUBJECT TO CHANGE AND THE CONTROLLING ENGINEERING ORGANIZATION SHOULD BE CONTACTED FOR THE LATEST REVISION.		DWN WYLEE 17JUN2005	tyco Tyco Electronics Singapore Pte. Ltd.	
DIMENSIONS: mm [INCHES]		CHK YJ SEE	NAME RECEPTACLE ASSEMBLY, 8 POSN, LOW FLANGE, SHIELDED, VERTICAL, MINIATURE CIRCULAR DIN, LF	
TOLERANCES UNLESS OTHERWISE SPECIFIED:		APVD SF L FONG	SIZE A3 CAGE CODE 00779 DRAWING NO C-5750338	
0 PLC ±- 1 PLC ±- 2 PLC ±0.13 [.005] 3 PLC ±- 4 PLC ±- ANGLES ±-		PRODUCT SPEC -	SCALE 3:1 SHEET 1 OF 1 REV 0	
MATERIAL 1		APPLICATION SPEC -	CUSTOMER DRAWING	
FINISH SEE TABLE		WEIGHT -		