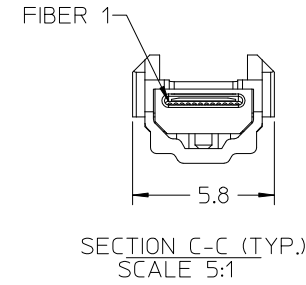
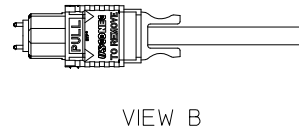
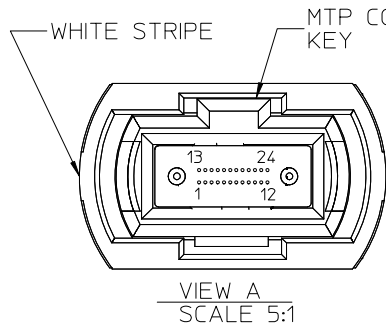
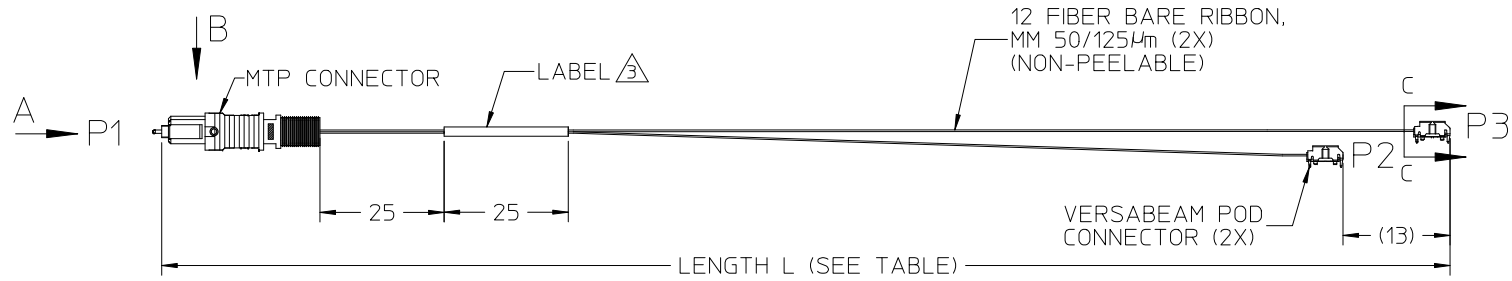


JUMPER P/N	LENGTH L [m]	MTP CONN. TYPE
106267-2020	0.15 +0.025/-0	FEMALE
106267-2021	0.5 +0.1/-0	
106267-2022	1.0 +0.2/-0	
106267-2030	0.15 +0.025/-0	MALE
106267-2031	0.5 +0.1/-0	
106267-2032	1.0 +0.2/-0	

CONNECTIONS	
P1-1 THRU P1-12	P2-1 THRU P2-12
P1-13 THRU P1-24	P3-1 THRU P3-12



- NOTES:
1. END CAPS ARE NOT SHOWN BUT INCLUDED.
 2. MTP MALE CONNECTOR IS SHOWN. FEMALE CONNECTOR DOES NOT CONTAIN PINS.
 3. INSERTION LOSS @ 850nm TO AN INTERPOSER: 2.0 dB. THROUGHPUT LOSS (MTP+VERSABEAM POD): 1.2dB. TEST DATA IS SENT WITH JUMPER.
 4. LABEL IS PRINTED WITH MOLEX NAME, PART NUMBER AND SERIAL NUMBER.

ENTER DESCRIPTION EC NO: MF2012-0482 IT DRW/MAGHAYERE 2012/04/04 CHKD: IGMUN 2012/04/10 APPR: IGMUN 2012/04/10 REV DESCRIPTION	QUALITY SYMBOLS	GENERAL TOLERANCES (UNLESS SPECIFIED)	DIMENSION STYLE	SCALE	DESIGN UNITS	THIRD ANGLE PROJECTION
	▽=0	mm INCH	MM ONLY	1:1	INCH	
	▽7=0	4 PLACES ± --- ± ---	DRAWN BY DATE	TITLE		
		3 PLACES ± --- ± ---	EEFUNG 2010/08/09	MTP24 TO 2X VERSABEAM POD JUMPER, MM 50/125UM molex		
		2 PLACES ± --- ± ---	CHECKED BY DATE			
	1 PLACE ± --- ± ---	APPROVED BY DATE	MATERIAL NO.	DOCUMENT NO.	SHEET NO.	
	0 PLACE ± ±	2010/08/27	SEE TABLE	SD-106267-2021	1 OF 1	
ANGULAR ±1/2° DRAFT WHERE APPLICABLE MUST REMAIN WITHIN DIMENSIONS		THIS DRAWING CONTAINS INFORMATION THAT IS PROPRIETARY TO MOLEX INCORPORATED AND SHOULD NOT BE USED WITHOUT WRITTEN PERMISSION				