

Features

Inputs/Outputs

- Accepts differential or single-ended input
 - LVPECL, LVDS, CML, HCSL, LVCMOS
- On-chip input termination resistors and biasing for AC coupled inputs
- Six precision LVPECL outputs
- Operating frequency up to 750 MHz

Power

- Options for 2.5 V or 3.3 V power supply
- Core current consumption of 110 mA
- On-chip Low Drop Out (LDO) Regulator for superior power supply rejection

Performance

- Ultra low additive jitter of 36 fs RMS

Ordering Information

ZL40205LDG1	32 Pin QFN	Trays
ZL40205LDF1	32 Pin QFN	Tape and Reel
Matte Tin		
Package Size: 5 x 5 mm		
-40°C to +85°C		

Applications

- General purpose clock distribution
- Low jitter clock trees
- Logic translation
- Clock and data signal restoration
- Wired communications: OTN, SONET/SDH, GE, 10 GE, FC and 10G FC
- Wireless communications
- High performance microprocessor clock distribution

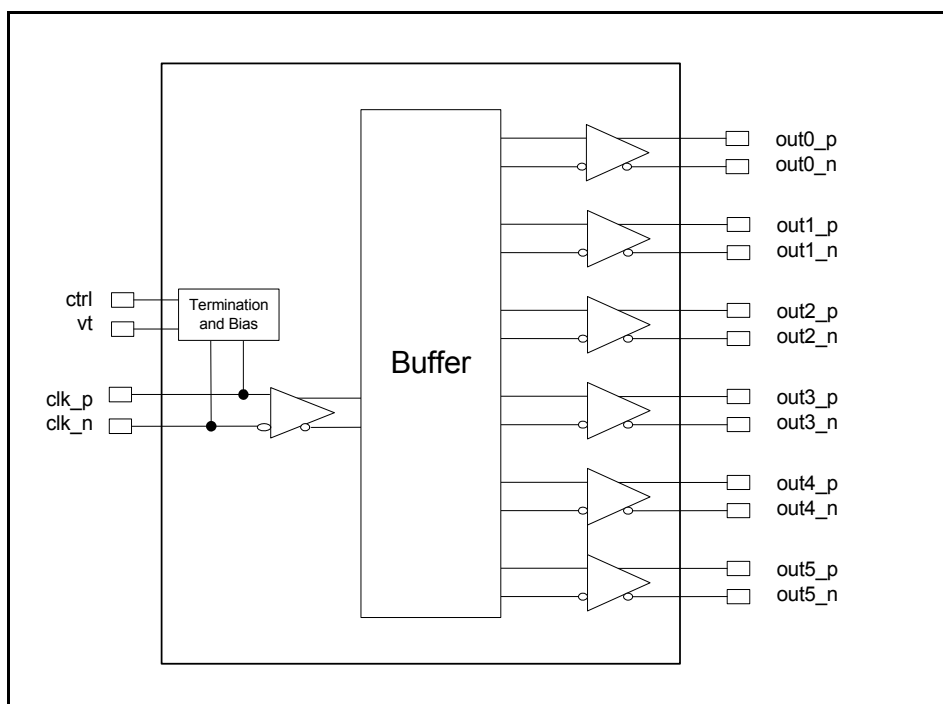


Figure 1 - Functional Block Diagram

Table of Contents

Features	1
Inputs/Outputs	1
Power	1
Performance	1
Applications	1
1.0 Package Description	4
2.0 Pin Description	5
3.0 Functional Description	6
3.1 Clock Inputs	6
3.2 Clock Outputs	11
3.3 Device Additive Jitter	14
3.4 Power Supply	15
3.4.1 Sensitivity to power supply noise	15
3.4.2 Power supply filtering	15
3.4.3 PCB layout considerations	15
4.0 AC and DC Electrical Characteristics	16
5.0 Performance Characterization	19
6.0 Typical Behavior	20
7.0 Package Characteristics	22
8.0 Mechanical Drawing	23

List of Figures

Figure 1 - Functional Block Diagram	1
Figure 2 - Pin Connections	4
Figure 3 - Simplified Diagram of input stage	6
Figure 4 - Clock Input - LVPECL - DC Coupled	7
Figure 5 - Clock Input - LVPECL - AC Coupled	7
Figure 6 - Clock Input - LVDS - DC Coupled	8
Figure 7 - Clock Input - LVDS - AC Coupled	8
Figure 8 - Clock Input - CML- AC Coupled	9
Figure 9 - Clock Input - HCSL- AC Coupled	9
Figure 10 - Clock Input - AC-coupled Single-Ended	10
Figure 11 - Clock Input - DC-coupled 3.3V CMOS	10
Figure 12 - Simplified Output Driver	11
Figure 13 - LVPECL Basic Output Termination	11
Figure 14 - LVPECL Parallel Output Termination	12
Figure 15 - LVPECL Parallel Thevenin-Equivalent Output Termination	12
Figure 16 - LVPECL AC Output Termination	13
Figure 17 - LVPECL AC Output Termination for CML Inputs	13
Figure 18 - Additive Jitter	14
Figure 19 - Decoupling Connections for Power Pins	15
Figure 20 - Differential and Single-Ended Output Voltages Parameter Definitions	17
Figure 21 - Input To Output Timing	18

Change Summary

Below are the changes from the November 2012 issue to the February 2013 issue:

Page	Item	Change
7	Figure 4	Changed text to indicate the circuit is not recommended for VDD_driver=2.5V.

1.0 Package Description

The device is packaged in a 32 pin QFN

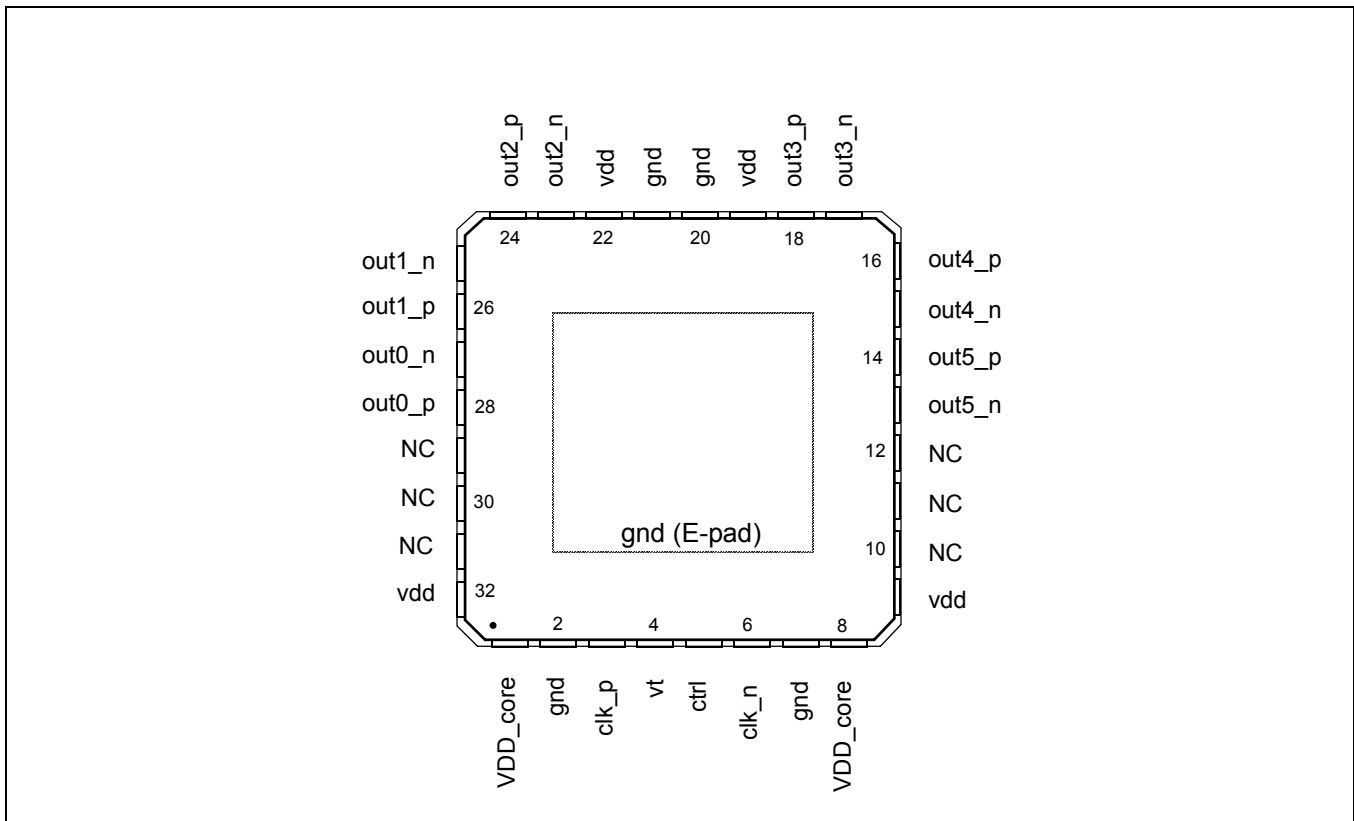


Figure 2 - Pin Connections

2.0 Pin Description

Pin #	Name	Description
3, 6	clk_p, clk_n,	Differential Input (Analog Input). Differential (or single ended) input signals. For all input configurations see "Clock Inputs" on page 6
28, 27, 26, 25, 24, 23, 18, 17, 16, 15, 14, 13	out0_p, out0_n out1_p, out1_n out2_p, out2_n out3_p, out3_n out4_p, out4_n out5_p, out5_n	Differential Output (Analog Output). Differential outputs.
9, 19, 22, 32	vdd	Positive Supply Voltage. 2.5 V _{DC} or 3.3 V _{DC} nominal.
1, 8	vdd_core	Positive Supply Voltage. 2.5 V _{DC} or 3.3 V _{DC} nominal.
2, 7, 20, 21	gnd	Ground. 0 V.
4	vt	On-Chip Input Termination Node (Analog). Center tap between internal 50 Ohm termination resistors. The use of this pin is detailed in section 3.1, "Clock Inputs", for various input signal types.
5	ctrl	Digital Control for On-Chip Input Termination (Input). Selects differential input mode; 0: DC coupled LVPECL or LVDS modes 1: AC coupled differential modes This pin are internally pulled down to GND. The use of this pin is detailed in section 3.1, "Clock Inputs", for various input signal types.
10, 11, 12, 29, 30, 31	NC	No Connection. Leave unconnected.

3.0 Functional Description

The ZL40205 is an LVPECL clock fan out buffer with six output clock drivers capable of operating at frequencies up to 750MHz.

The ZL40205 provides an internal input termination network for DC and AC coupled inputs; optional input biasing for AC coupled inputs is also provided. The ZL40205 can accept DC or AC coupled LVPECL and LVDS input signals, AC coupled CML or HCSL input signals, and single ended signals. A pin compatible device with external termination is also available.

The ZL40205 is designed to fan out low-jitter reference clocks for wired or optical communications applications while adding minimal jitter to the clock signal. An internal linear power supply regulator and bulk capacitors minimize additive jitter due to power supply noise. The device operates from 2.5V \pm 5% or 3.3V \pm 5% supply. Its operation is guaranteed over the industrial temperature range -40°C to +85°C.

The device block diagram is shown in Figure 1; its operation is described in the following sections.

3.1 Clock Inputs

The device has a differential input equipped with two on-chip 50 Ohm termination resistors arranged in series with a center tap. The input can accept many differential and single-ended signals with AC or DC coupling as appropriate. A control pin is available to enable internal biasing for AC coupled inputs. A block diagram of the input stage is in Figure 3.

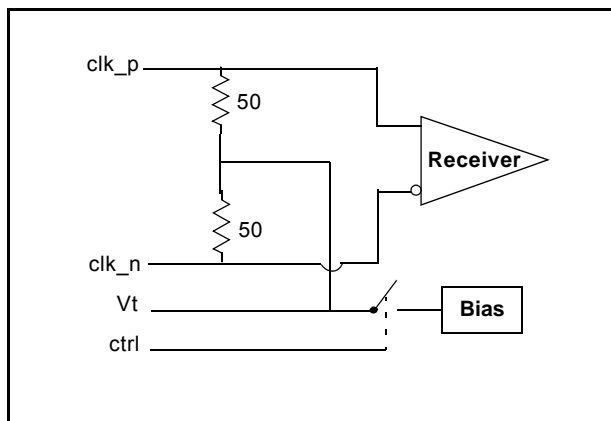


Figure 3 - Simplified Diagram of Input Stage

The following figures give the components values and configuration for the various circuits compatible with the input stage and the use of the *Vt* and *ctrl* pins in each case.

In the following diagrams where the *ctrl* pin is logically one and the *Vt* pin is not connected, the *Vt* pin can be instead connected to VDD with a capacitor. A capacitor can also help in Figure 4 between *Vt* and VDD. This capacitor will minimize the noise at the point between the two internal termination resistors and improve the overall performance of the device.

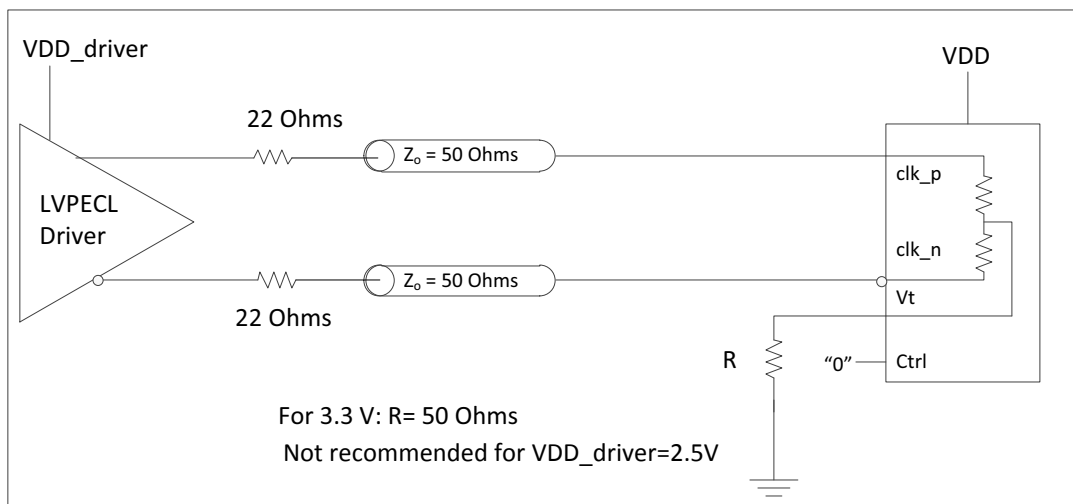


Figure 4 - Clock Input - LVPECL - DC Coupled

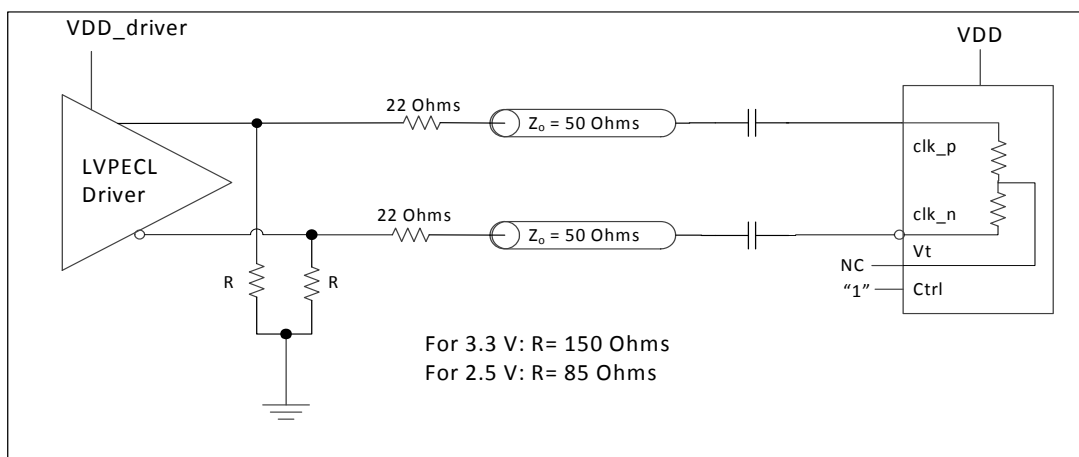


Figure 5 - Clock Input - LVPECL - AC Coupled

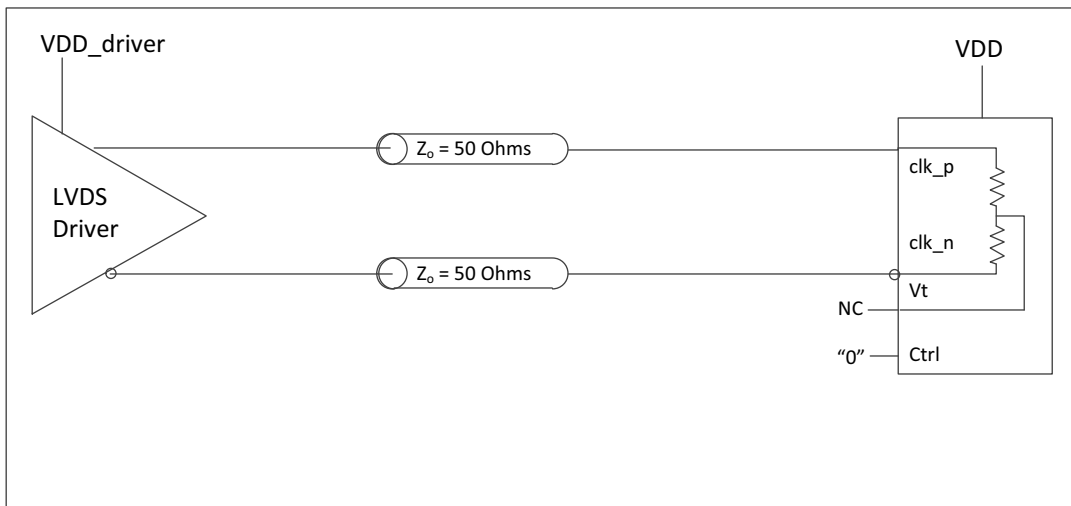


Figure 6 - Clock Input - LVDS - DC Coupled

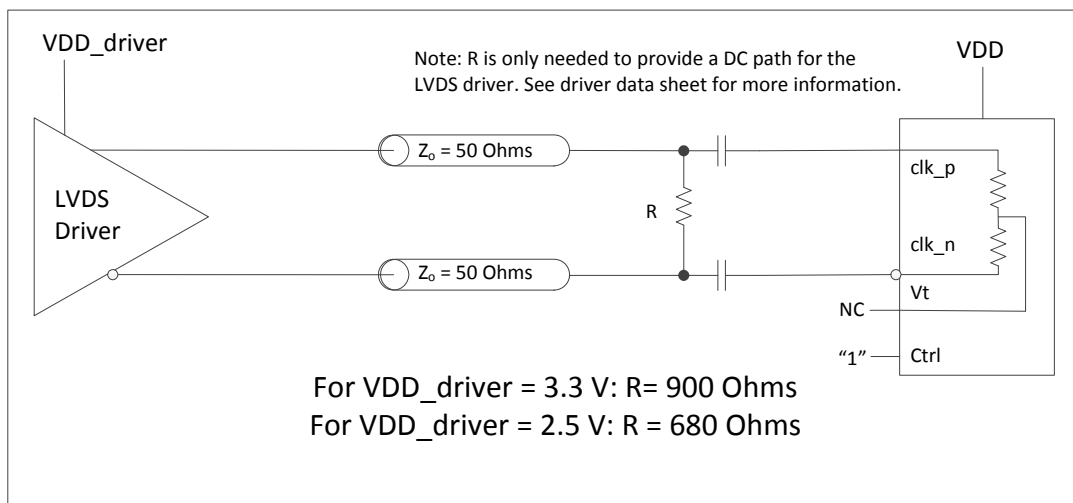


Figure 7 - Clock Input - LVDS - AC Coupled

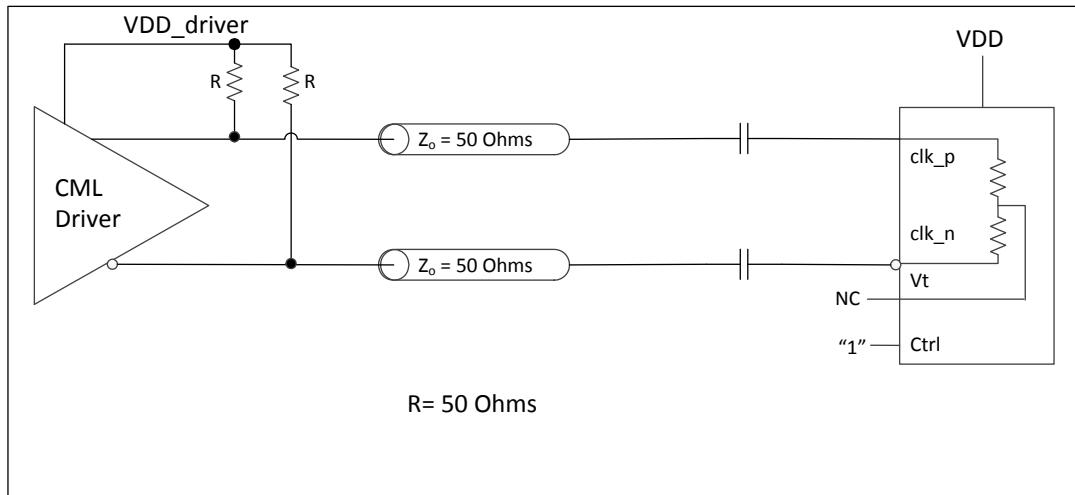


Figure 8 - Clock Input - CML- AC Coupled

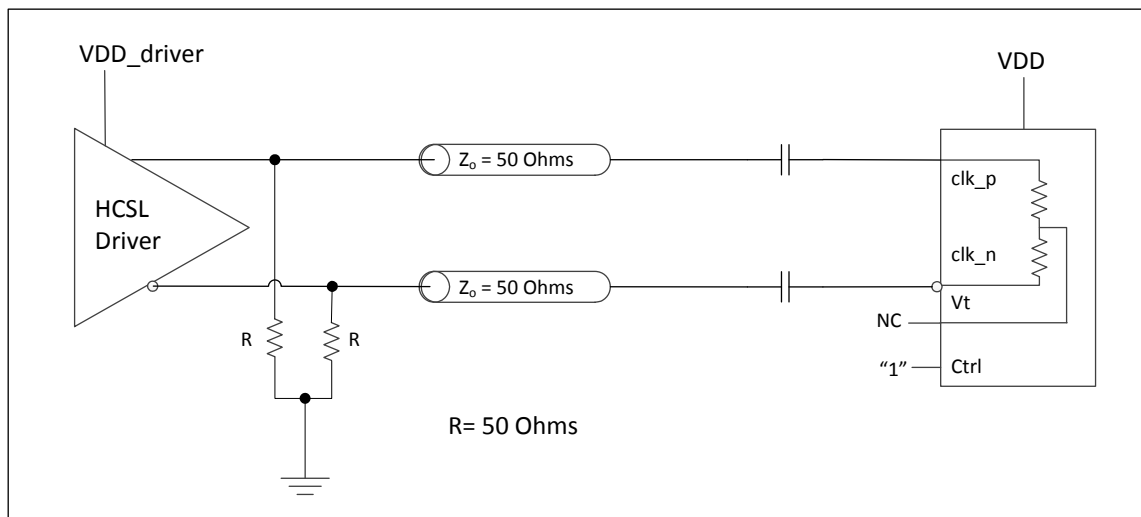


Figure 9 - Clock Input - HCSL- AC Coupled

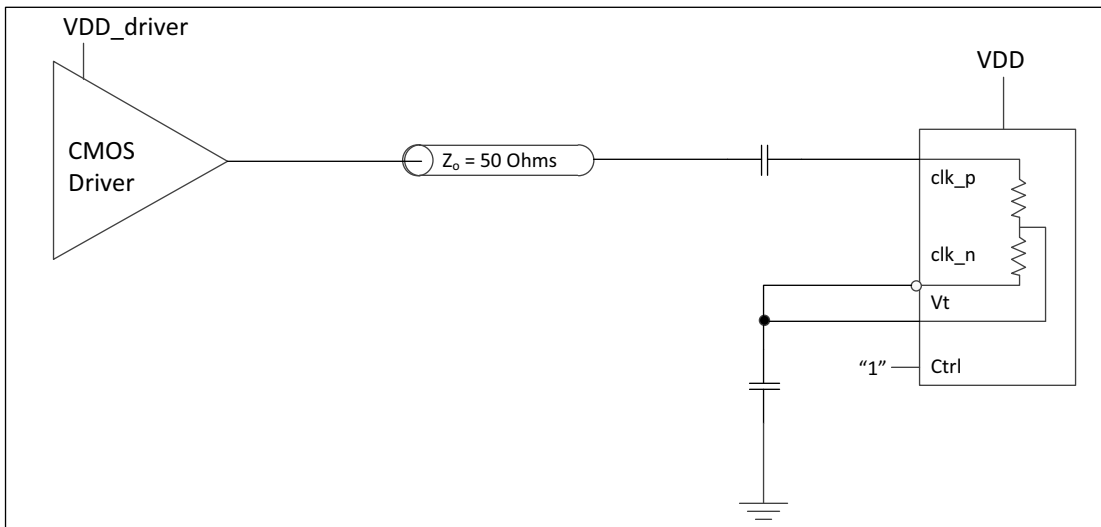


Figure 10 - Clock Input - AC-coupled Single-Ended

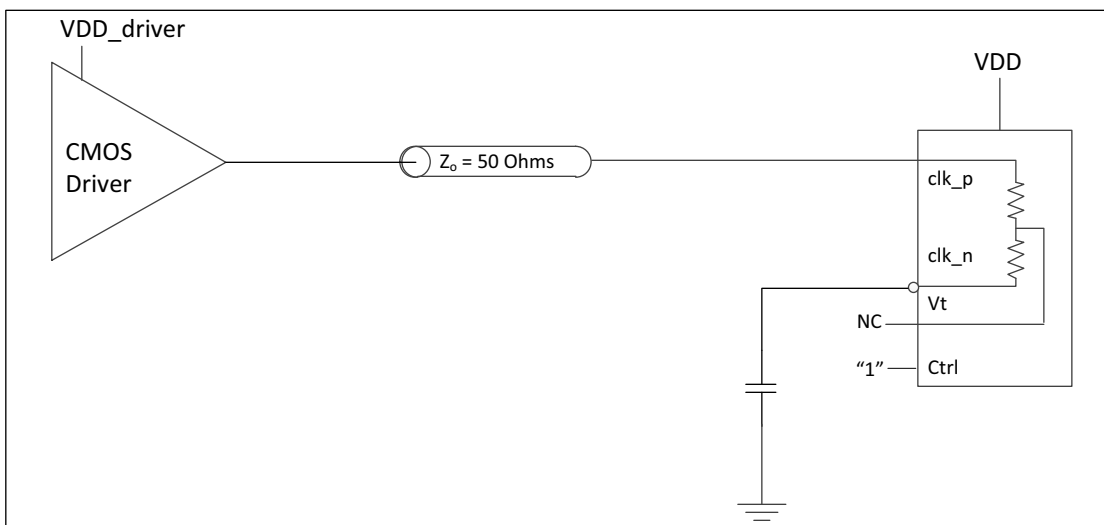


Figure 11 - Clock Input - DC-coupled 3.3V CMOS

3.2 Clock Outputs

LVPECL has a very low output impedance and a differential signal swing between 1V and 1.6 V. A simplified diagram for the output stage is shown in Figure 12. The LVPECL to LVDS output termination is not shown since there is a different device with the same inputs and LVDS outputs.

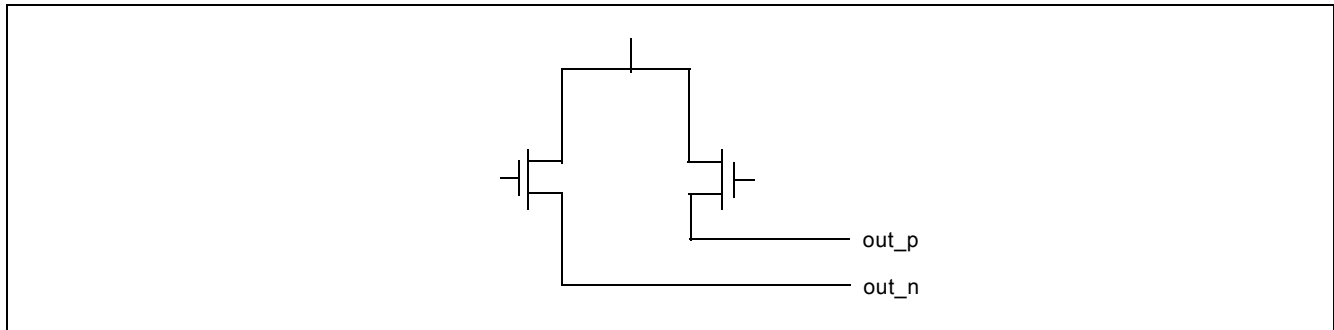


Figure 12 - Simplified Output Driver

The methods to terminate the ZL40205 LVPECL drivers are shown in the following figures.

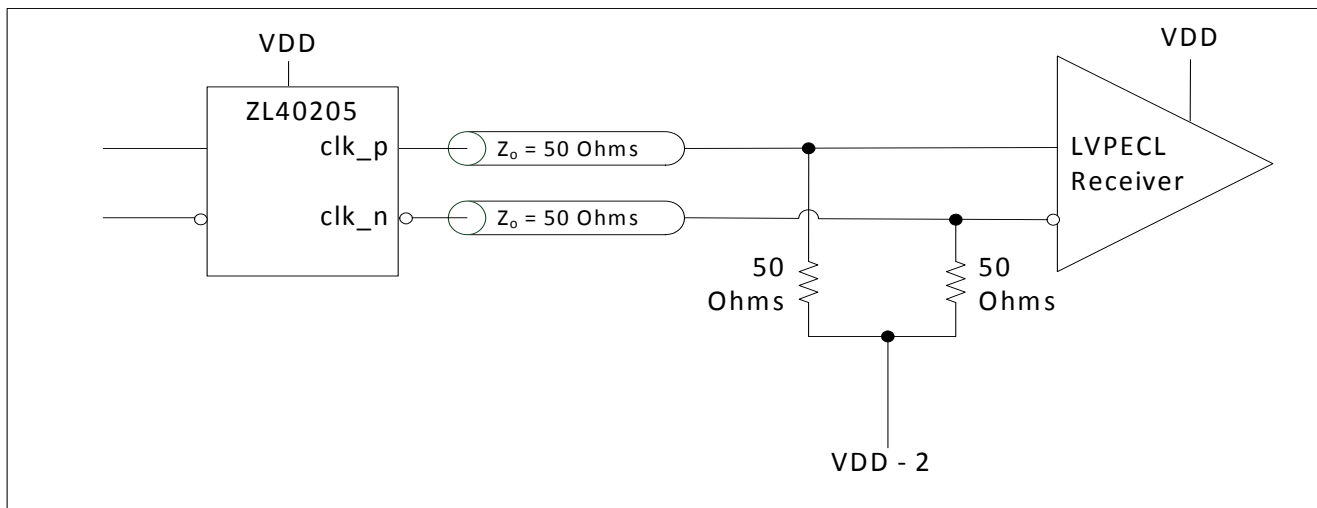


Figure 13 - LVPECL Basic Output Termination

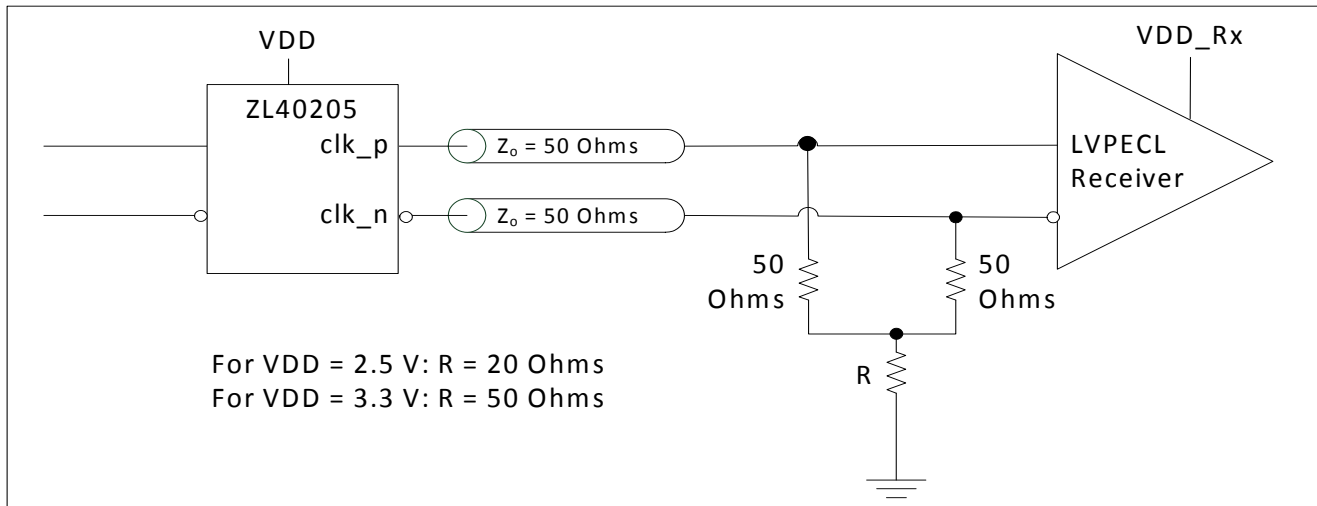


Figure 14 - LVPECL Parallel Output Termination

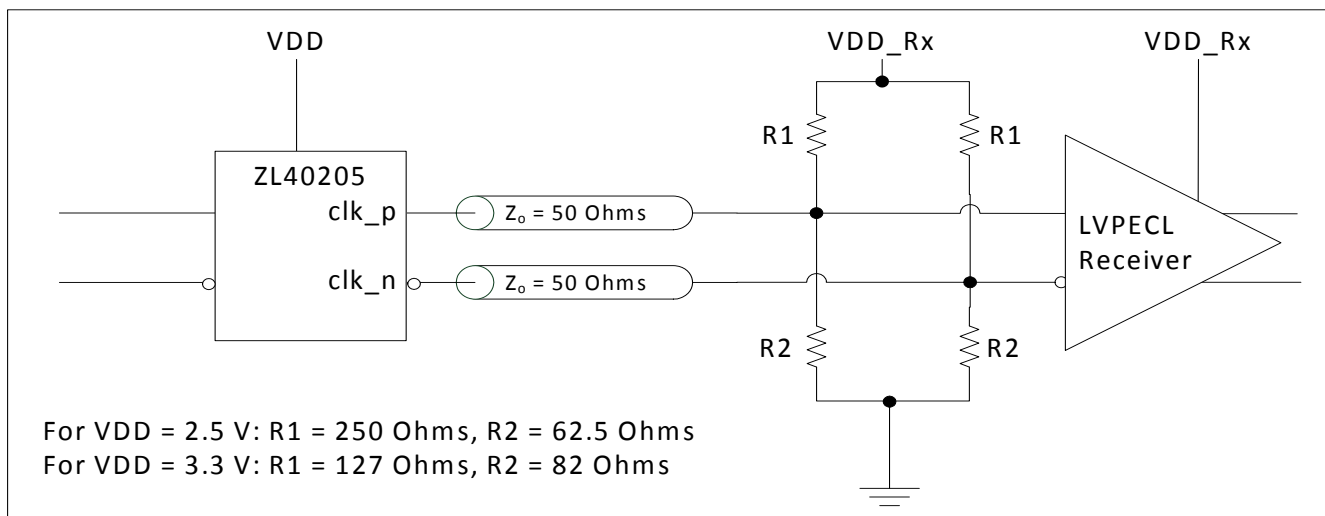


Figure 15 - LVPECL Parallel Thevenin-Equivalent Output Termination

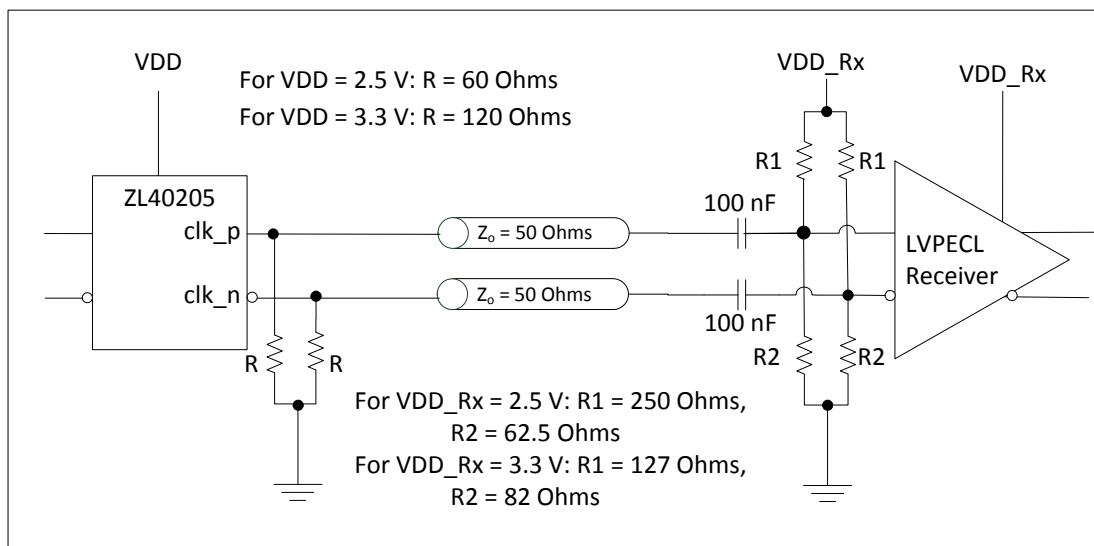


Figure 16 - LVPECL AC Output Termination

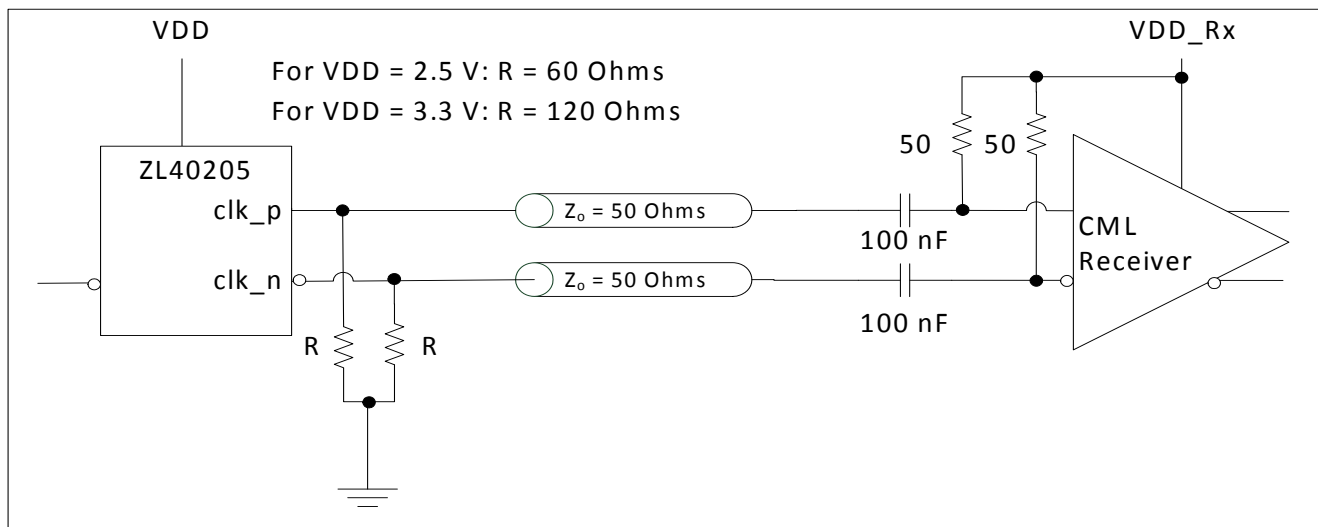


Figure 17 - LVPECL AC Output Termination for CML Inputs

3.3 Device Additive Jitter

The ZL40205 clock fanout buffer is not intended to filter clock jitter. The jitter performance of this type of device is characterized by its additive jitter. Additive jitter is the jitter the device would add to a hypothetical jitter-free clock as it passes through the device. The additive jitter of the ZL40205 is random and as such it is not correlated to the jitter of the input clock signal.

The square of the resultant random RMS jitter at the output of the ZL40205 is equal to the sum of the squares of the various random RMS jitter sources including: input clock jitter; additive jitter of the buffer; and additive random jitter due to power supply noise. There may be additional deterministic jitter sources, but they are not shown in Figure 18.

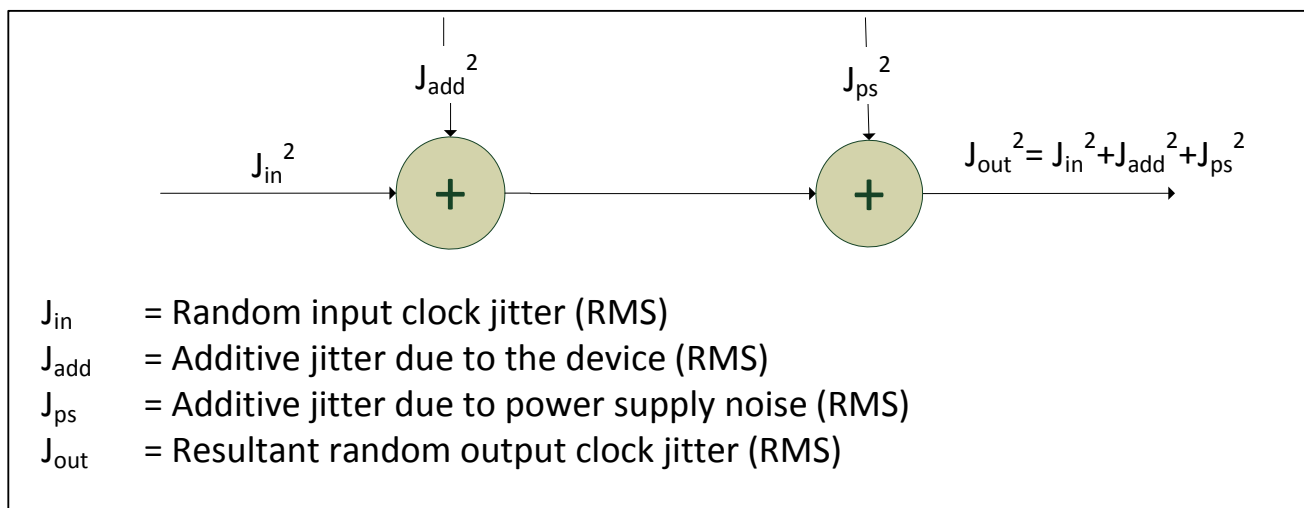


Figure 18 - Additive Jitter

3.4 Power Supply

This device operates employing either a 2.5V supply or 3.3V supply.

3.4.1 Sensitivity to power supply noise

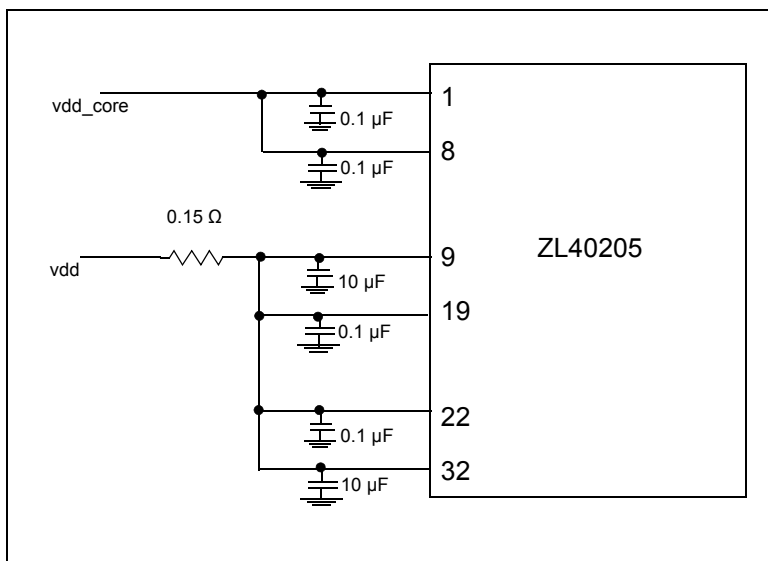
Power supply noise from sources such as switching power supplies and high-power digital components such as FPGAs can induce additive jitter on clock buffer outputs. The ZL40205 is equipped with a low drop out (LDO) regulator and on-chip bulk capacitors to minimize additive jitter due to power supply noise. The on-chip regulation, recommended power supply filtering, and good PCB layout all work together to minimize the additive jitter from power supply noise.

3.4.2 Power supply filtering

Jitter levels may increase when noise is present on the power pins. For optimal jitter performance, the device should be isolated from the power planes connected to its power supply pins as shown in Figure 19.

- 10 μ F capacitors should be size 0603 or size 0805 X5R or X7R ceramic, 6.3 V minimum rating
- 0.1 μ F capacitors should be size 0402 X5R ceramic, 6.3 V minimum rating
- Capacitors should be placed next to the connected device power pins
- a 0.3 ohm resistor is recommended

Figure 19 - Decoupling Connections for Power Pins



3.4.3 PCB layout considerations

The power nets in Figure 19 can be implemented either as a plane island or routed power topology without changing the overall jitter performance of the device.

4.0 AC and DC Electrical Characteristics

Absolute Maximum Ratings*

	Parameter	Sym.	Min.	Max.	Units
1	Supply voltage	V_{DD_R}	-0.5	4.6	V
2	Voltage on any digital pin	V_{PIN}	-0.5	VDD	V
4	LVPECL output current	I_{out}		30	mA
5	Soldering temperature	T		260	°C
6	Storage temperature	T_{ST}	-55	125	°C
7	Junction temperature	T_j		125	°C
8	Voltage on input pin	V_{input}		VDD	V
9	Input capacitance each pin	C_p		500	fF

* Exceeding these values may cause permanent damage. Functional operation under these conditions is not implied.

* Voltages are with respect to ground (GND) unless otherwise stated

Recommended Operating Conditions*

	Characteristics	Sym.	Min.	Typ.	Max.	Units
1	Supply voltage 2.5 V mode	V_{DD25}	2.375	2.5	2.625	V
2	Supply voltage 3.3 V mode	V_{DD33}	3.135	3.3	3.465	V
3	Operating temperature	T_A	-40	25	85	°C

* Voltages are with respect to ground (GND) unless otherwise stated

DC Electrical Characteristics - Current Consumption

	Characteristics	Sym.	Min.	Typ.	Max.	Units	Notes
1	Supply current LVPECL drivers - unloaded	I_{dd_unload}		110		mA	Unloaded
2	Supply current LVPECL drivers - loaded (all outputs are active)	I_{dd_load}		209		mA	Including power to $R_L = 50\Omega$

DC Electrical Characteristics - Inputs and Outputs - for 3.3 V Supply

	Characteristics	Sym.	Min.	Typ.	Max.	Units	Notes
1	CMOS control logic high-level input voltage	V_{CIH}	$0.7 \cdot V_{DD}$			V	
2	CMOS control logic low-level input voltage	V_{CIL}			$0.3 \cdot V_{DD}$	V	
3	CMOS control logic Input leakage current	I_{IL}		1		μA	$V_I = V_{DD}$ or 0 V
4	Differential input common mode voltage	V_{CM}	1.1		2.0	V	
5	Differential input voltage difference	V_{ID}	0.25		1	V	
6	Differential input resistance	V_{IR}	80	100	120	ohm	

DC Electrical Characteristics - Inputs and Outputs - for 3.3 V Supply

	Characteristics	Sym.	Min.	Typ.	Max.	Units	Notes
7	LVPECL output high voltage	V_{OH}	$V_{DD} - 1.40$			V	
8	LVPECL output low voltage	V_{OL}			$V_{DD} - 1.62$	V	
9	LVPECL output differential voltage*	V_{OD}	0.5		0.9	V	

* This parameter was measured from 125 MHz to 750 MHz.

DC Electrical Characteristics - Inputs and Outputs - for 2.5 V Supply

	Characteristics	Sym.	Min.	Typ.	Max.	Units	Notes
1	Differential input common mode voltage	V_{CM}	1.1		1.6	V	
2	Differential input voltage difference	V_{ID}	0.25		1	V	
3	Differential input resistance	V_{IR}	80	100	120	ohm	
4	LVPECL output high voltage	V_{OH}	$V_{DD} - 1.40$			V	
5	LVPECL output low voltage	V_{OL}			$V_{DD} - 1.62$	V	
6	LVPECL output differential voltage*	V_{OD}	0.4		0.9	V	

* This parameter was measured from 125 MHz to 750 MHz.



Figure 20 - Differential and Single-Ended Output Voltages Parameter Definitions

AC Electrical Characteristics* - Inputs and Outputs (see Figure 21) - for 2.5/3.3 V supply.

	Characteristics	Sym.	Min.	Typ.	Max.	Units	Notes
1	Maximum Operating Frequency	$1/t_p$			750	MHz	
2	Input to output clock propagation delay	t_{pd}	0	1	2	ns	
3	Output to output skew	$t_{out2out}$		50	100	ps	
4	Part to part output skew	$t_{part2part}$		80	300	ps	
5	Output clock Duty Cycle degradation	t_{PWH}/t_{PWL}	-2	0	2	Percent	
6	LVPECL Output clock slew rate	r_{SL}	0.75	1.2		V/ns	

* Supply voltage and operating temperature are as per Recommended Operating Conditions

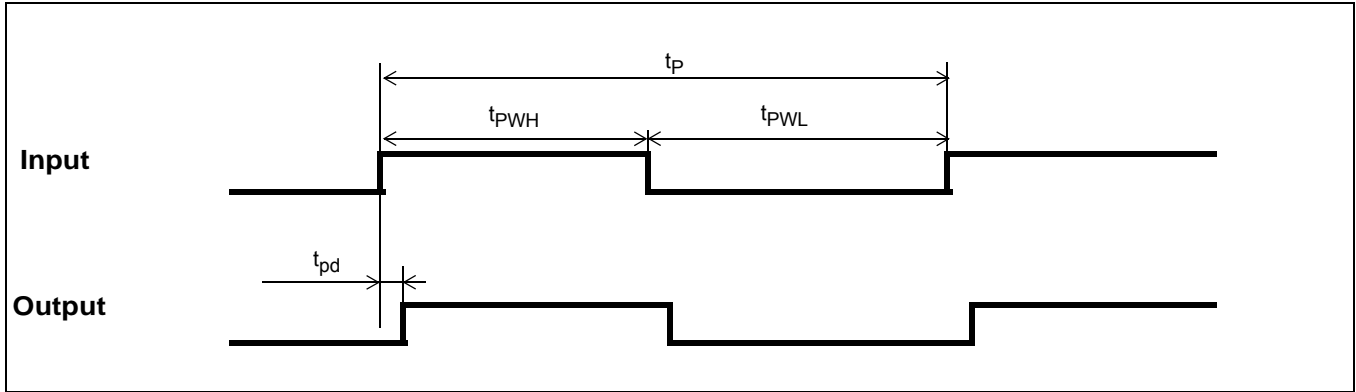


Figure 21 - Input To Output Timing

5.0 Performance Characterization

Additive Jitter at 2.5 V*

	Output Frequency (MHz)	Jitter Measurement Filter	Typical RMS (fs)	Notes
1	125	12 kHz - 20 MHz	139	
2	212.5	12 kHz - 20 MHz	109	
3	311.04	12 kHz - 20 MHz	85	
4	425	12 kHz - 20 MHz	57	
5	500	12 kHz - 20 MHz	50	
6	622.08	12 kHz - 20 MHz	40	
7	750	12 kHz - 20 MHz	36	

*The values in this table were taken with an approximate slew rate of 0.8 V/ns.

Additive Jitter at 3.3 V*

	Output Frequency (MHz)	Jitter Measurement Filter	Typical RMS (fs)	Notes
1	125	12 kHz - 20 MHz	115	
2	212.5	12 kHz - 20 MHz	85	
3	311.04	12 kHz - 20 MHz	72	
4	425	12 kHz - 20 MHz	55	
5	500	12 kHz - 20 MHz	48	
6	622.08	12 kHz - 20 MHz	41	
7	750	12 kHz - 20 MHz	39	

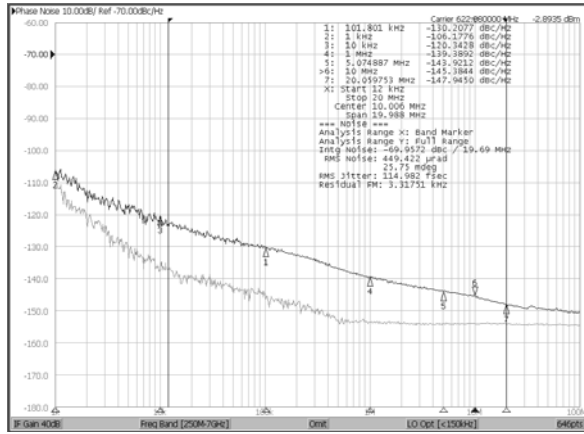
*The values in this table were taken with an approximate slew rate of 0.8 V/ns.

Additive Jitter from a Power Supply Tone*

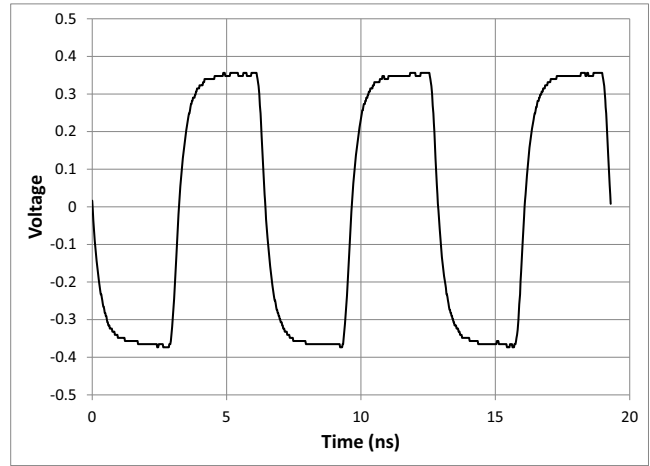
Carrier frequency	Parameter	Typical	Units	Notes
125MHz	25 mV at 100 kHz	115	fs RMS	
750MHz	25 mV at 100 kHz	59	fs RMS	

* The values in this table are the additive periodic jitter caused by an interfering tone typically caused by a switching power supply. For this test, measurements were taken over the full temperature and voltage range for $V_{DD} = 2.5$ V. The magnitude of the interfering tone is measured at the DUT.

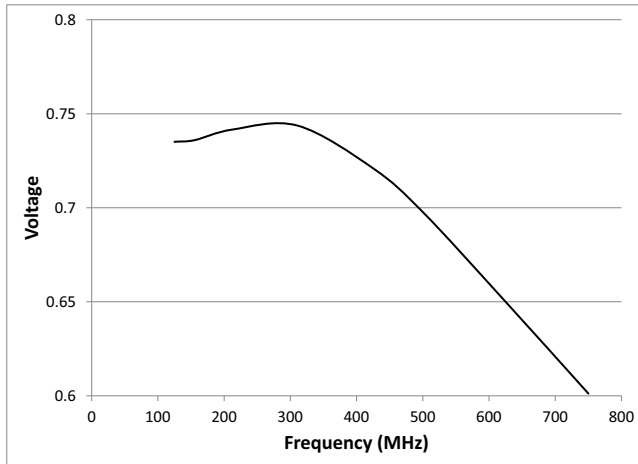
6.0 Typical Behavior



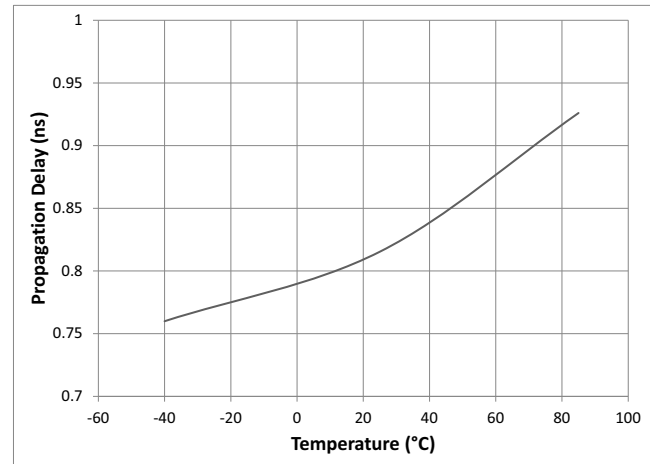
Typical Phase Noise at 622.08 MHz



Typical Waveform at 155.52 MHz

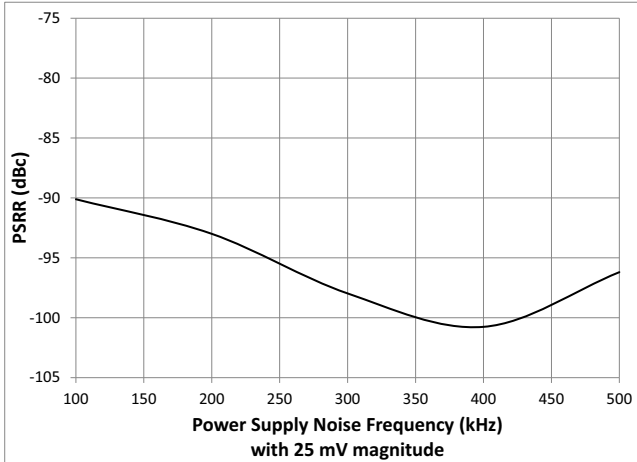


V_{OD} versus Frequency

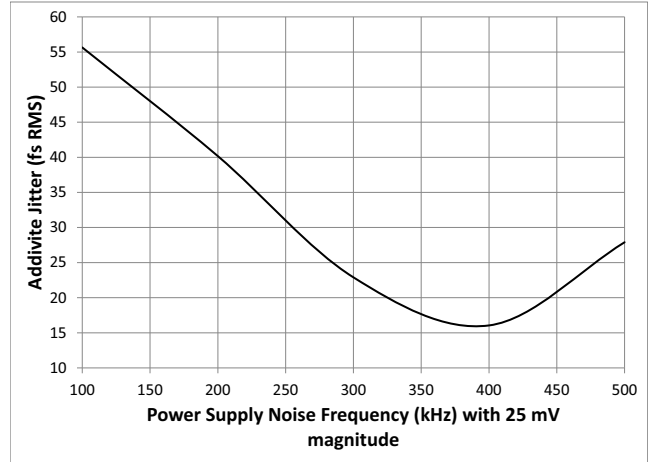


Propagation Delay versus Temperature

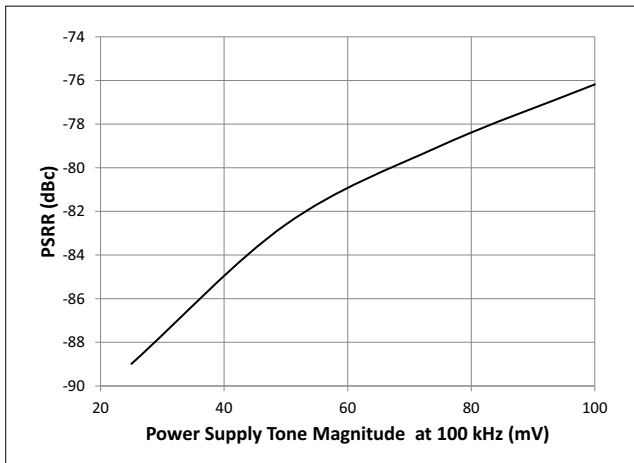
Note: This is for a single device. For more details see the



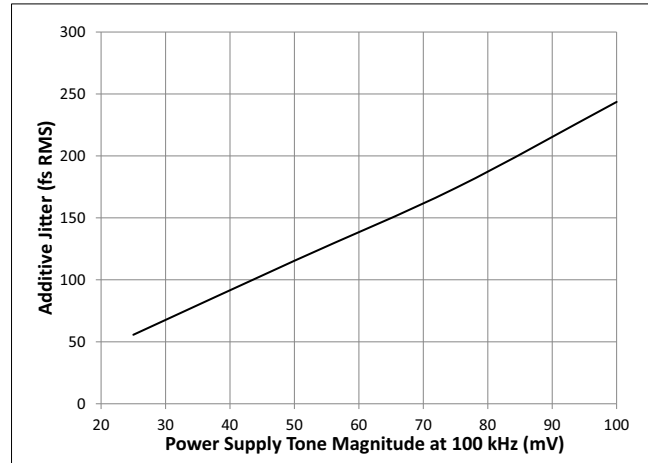
Power Supply Tone Frequency (at 25 mV) versus PSRR at 125 MHz



Power Supply Tone Frequency (at 25 mV) versus Additive Jitter at 125 MHz



Power Supply Tone Magnitude (at 100 kHz) versus PSRR at 125 MHz



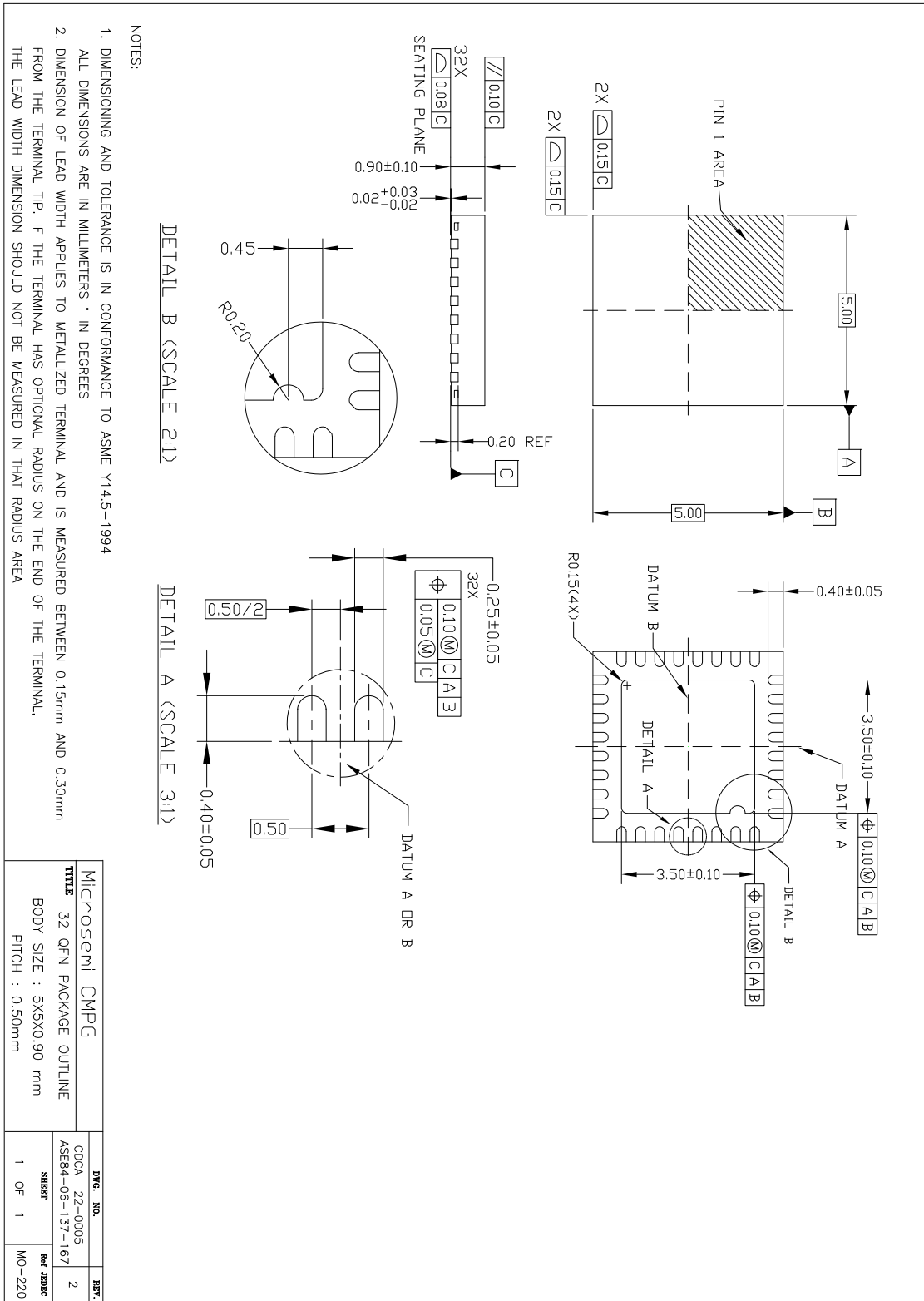
Power Supply Tone Magnitude (at 100 kHz) versus Additive Jitter at 125 MHz

7.0 Package Characteristics

Thermal Data

Parameter	Symbol	Test Condition	Value	Unit
Junction to Ambient Thermal Resistance	Θ_{JA}	Still Air	37.4	$^{\circ}\text{C}/\text{W}$
		1 m/s	33.1	
		2 m/s	31.5	
Junction to Case Thermal Resistance	Θ_{JC}		24.4	$^{\circ}\text{C}/\text{W}$
Junction to Board Thermal Resistance	Θ_{JB}		19.5	$^{\circ}\text{C}/\text{W}$
Maximum Junction Temperature*	T_{jmax}		125	$^{\circ}\text{C}$
Maximum Ambient Temperature	T_A		85	$^{\circ}\text{C}$

8.0 Mechanical Drawing





**For more information about all Microsemi products visit our Web Site at
www.microsemi.com**

Information relating to products and services furnished herein by Microsemi Corporation or its subsidiaries (collectively "Microsemi") is believed to be reliable. However, Microsemi assumes no liability for errors that may appear in this publication, or for liability otherwise arising from the application or use of any such information, product or service or for any infringement of patents or other intellectual property rights owned by third parties which may result from such application or use. Neither the supply of such information or purchase of product or service conveys any license, either express or implied, under patents or other intellectual property rights owned by Microsemi or licensed from third parties by Microsemi, whatsoever. Purchasers of products are also hereby notified that the use of product in certain ways or in combination with Microsemi, or non-Microsemi furnished goods or services may infringe patents or other intellectual property rights owned by Microsemi.

This publication is issued to provide information only and (unless agreed by Microsemi in writing) may not be used, applied or reproduced for any purpose nor form part of any order or contract nor to be regarded as a representation relating to the products or services concerned. The products, their specifications, services and other information appearing in this publication are subject to change by Microsemi without notice. No warranty or guarantee express or implied is made regarding the capability, performance or suitability of any product or service. Information concerning possible methods of use is provided as a guide only and does not constitute any guarantee that such methods of use will be satisfactory in a specific piece of equipment. It is the user's responsibility to fully determine the performance and suitability of any equipment using such information and to ensure that any publication or data used is up to date and has not been superseded. Manufacturing does not necessarily include testing of all functions or parameters. These products are not suitable for use in any medical **and other** products whose failure to perform may result in significant injury or death to the user. All products and materials are sold and services provided subject to Microsemi's conditions of sale which are available on request.

Purchase of Microsemi's I2C components conveys a license under the Philips I2C Patent rights to use these components in an I2C System, provided that the system conforms to the I2C Standard Specification as defined by Philips.

Microsemi, ZL, and combinations thereof, VoiceEdge, VoicePort, SLAC, ISLIC, ISLAC and VoicePath are trademarks of Microsemi Corporation.

TECHNICAL DOCUMENTATION - NOT FOR RESALE
