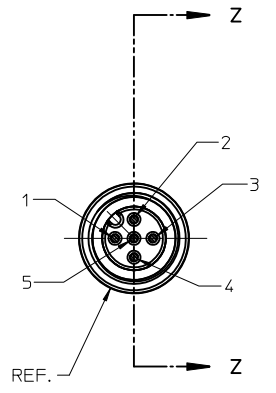
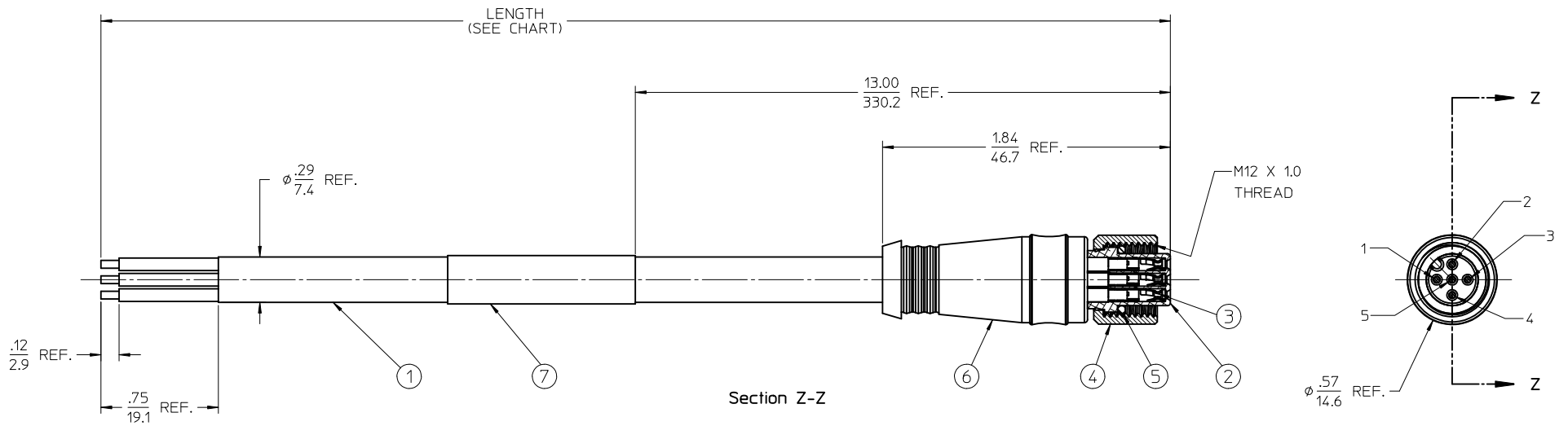
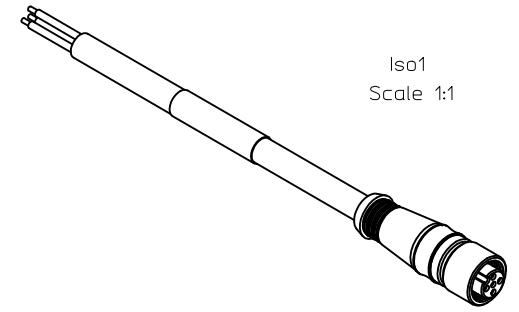


MATERIAL NO.	ENGINEERING NO.	MADE FROM
848547021	84854-7021	1' 8" +1.75"-0 (.5M +45mm-0)
848547022	84854-7022	3' 3" +2.19"-0 (1.0M +56mm-0)
848547023	84854-7023	6' 7" +3.50"-0 (2.0M +89mm-0)
848547024	84854-7024	9' 10" +3.50"-0 (3.0M +89mm-0)
848547025	84854-7025	13' 1" +6.50"-0 (4.0M +165mm-0)
848547026	84854-7026	16' 5" +6.50"-0 (5.0M +165mm-0)
848547027	84854-7027	19' 8" +6.50"-0 (6.0M +165mm-0)



P1	
1	DRAIN
2	RED +V
3	BLACK -V
4	WHITE CAN H
5	BLUE CAN L

WIRING DIAGRAM

- NOTES:
1. MATERIAL: SEE TABLE
 2. FINISHES: SEE TABLE
 3. PACKAGING: SEALED POLY BAGS WITH BAR-CODE LABEL
 4. MATES WITH: MIC 5 POLE DEV-NET RECEPTACLE
 5. ELECTRICAL SPECIFICATIONS:
CURRENT RATING: 4.0 AMPS MAX
 6. PART IS RoHS COMPLIANT

ITEM	QTY.	DESCRIPTION	MATERIAL	FINISH
7	1	LABEL	PLASTIC FILM	YELLOW/BLACK
6	1	OVERMOLD	PVC	GRAY
5	1	O-RING	VITON	RED
4	1	COUPLING NUT	BRASS	NICKEL PLATED
3	5	CONTACT SOCKET	Cu ALLOY	GOLD PLATED
2	1	INSERT, 5 POLE	NYLON	BLACK
1	1	CABLE, 2 PR. SHIELDED, DEV-NET, THIN	PVC JACKET	GRAY

RELEASED	EC NO: MNA2010-0402	2010/01/05
DRWINRSTONE	2010/01/07	
CHKD:B.WOODMAN	2010/01/07	
APPR:J.MURPHY	2010/01/07	

QUALITY SYMBOLS	GENERAL TOLERANCES (UNLESS SPECIFIED)
▽=0	
▽=0	
	mm INCH
	4 PLACES ± --- ± ---
	3 PLACES ± --- ± .005
	2 PLACES ± 0.13 ± .01
	1 PLACE ± 0.3 ±
	ANGULAR ± 1 °

DIMENSION STYLE		SCALE	DESIGN UNITS	THIRD ANGLE PROJECTION
IN/MM		2:1	INCH	
DRAWN BY	DATE	TITLE		
R.STONE	2009/12/28	MIC CABLE ASSEMBLY		
CHECKED BY	DATE	FEMALE, 5 POLE		
B.WOODMAN	2010/01/04	DEV-NET DROP		
APPROVED BY	DATE	MOLEX INCORPORATED		
J.MURPHY	2010/01/06	DOCUMENT NO.		
MATERIAL NO.		SHEET NO.		
SEE CHART		SD-84854-022		
SIZE		1 OF 1		

THIS DRAWING CONTAINS INFORMATION THAT IS PROPRIETARY TO MOLEX INCORPORATED AND SHOULD NOT BE USED WITHOUT WRITTEN PERMISSION