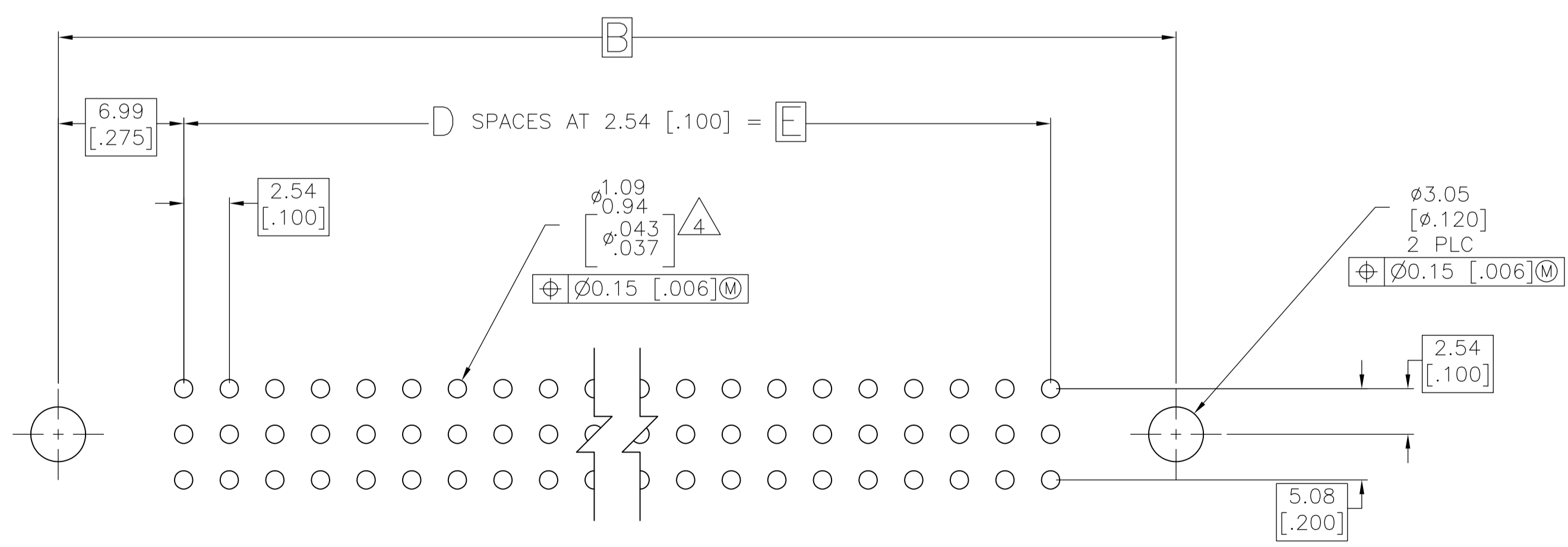
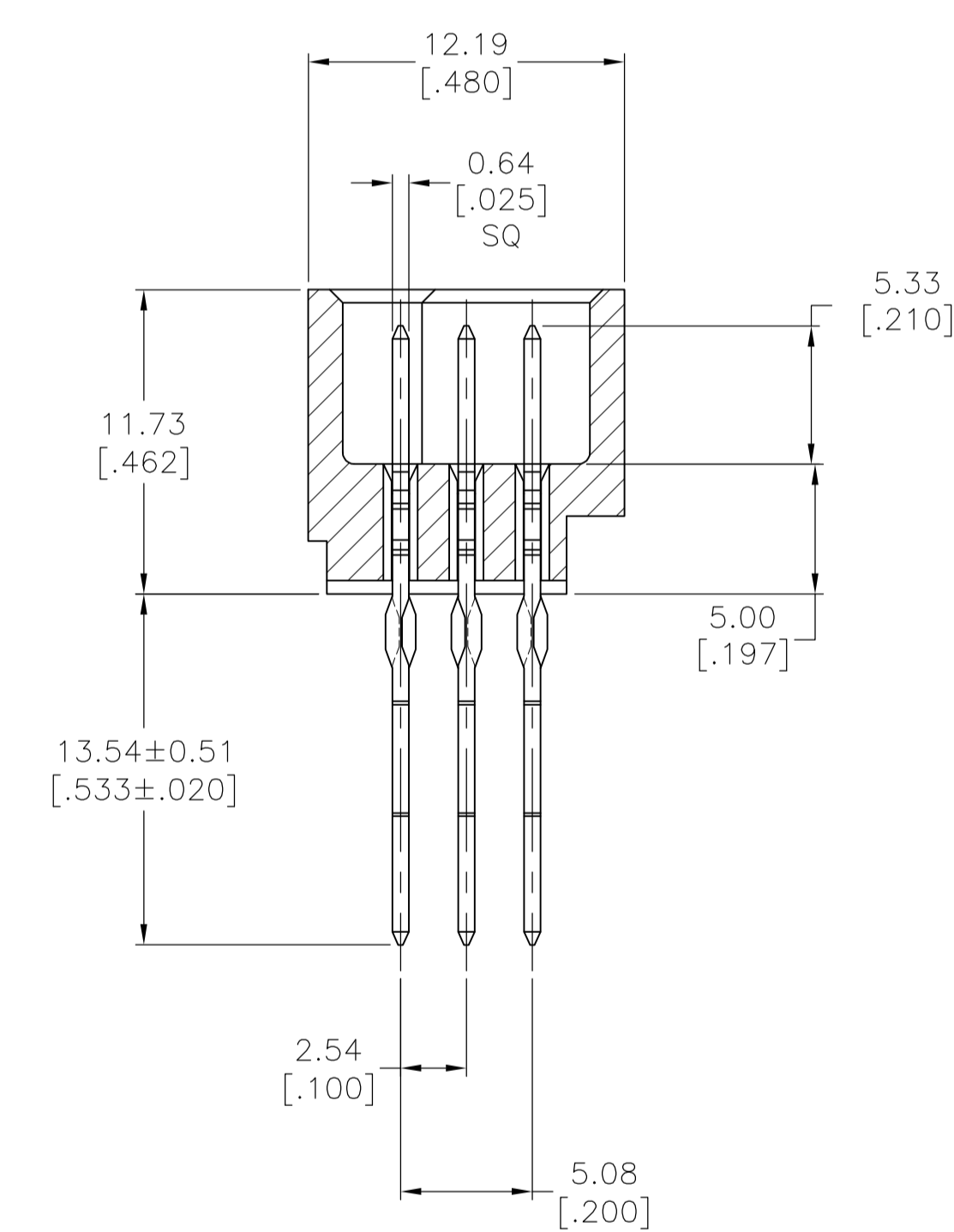
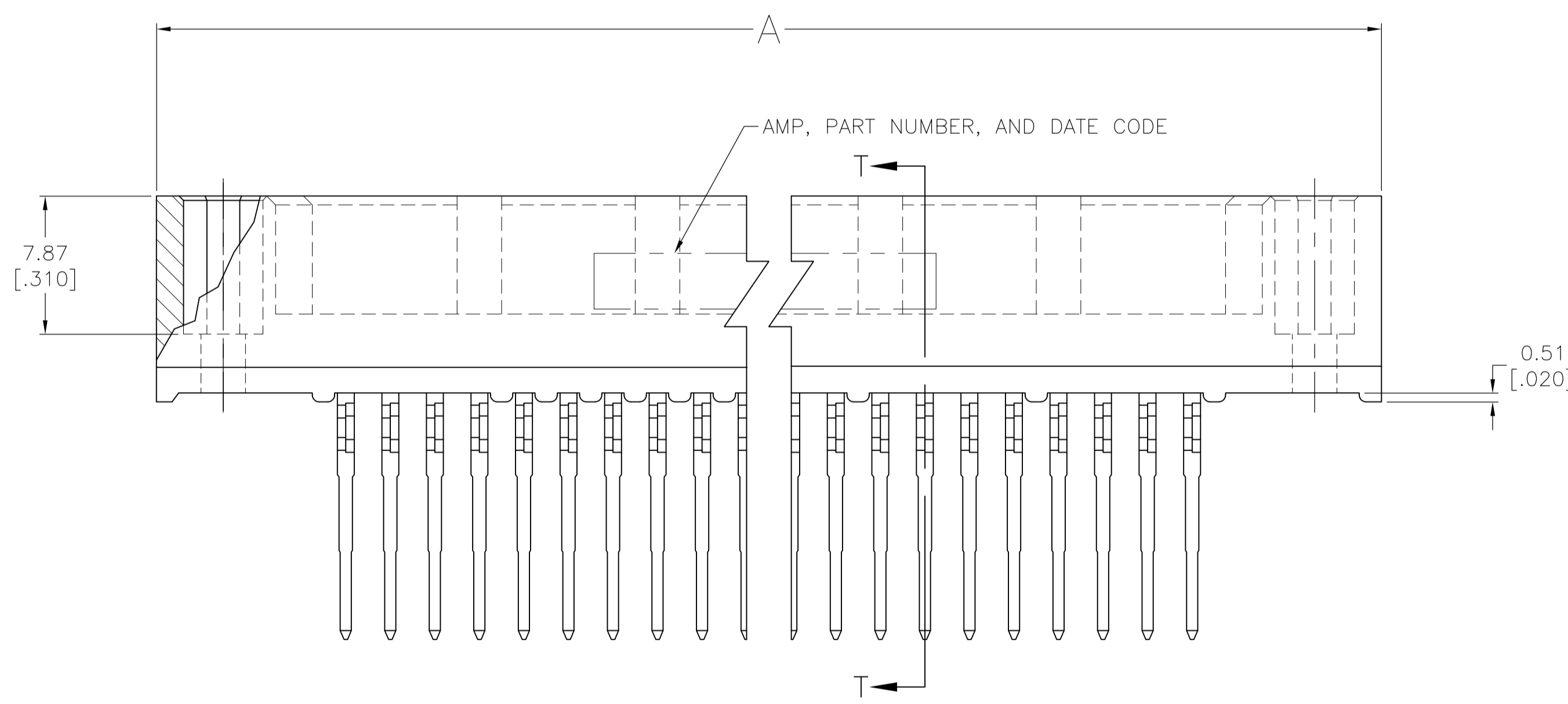


- △1 HOUSING MATERIAL: THERMOPLASTIC, BLACK.
- △2 CONTACT MATERIAL: PHOSPHOR BRONZE.
- △3 CONTACT FINISH: 0.00127-0.00254 [.000050-.000100] NICKEL UNDERPLATE ALL OVER: 0.00076 [.000030] MIN GOLD PLATE IN CONTACT AREA, TIN PLATED POSTS.
- △4 ACTION PIN POSTS REQUIRE 2.36 [.093] MIN THICK PC BOARD. RECOMMENDED PC BOARD HOLES ARE  $\phi 1.151$  [.0453] PLATED THRU 0.025-0.076 [.001-.003] COPPER, WITH 0.0076 [.0003] MIN TIN-LEAD PLATING; FINISHED HOLE AFTER PLATING  $\phi 0.94-1.09$  [.037-.043]; AFTER REFLOW  $\phi 0.91-1.09$  [.036-.043].
- △5 HOUSINGS WITH CENTER MOUNTING IS RECOMMENDED FOR ASSEMBLIES HAVING 75 CONTACTS PER ROW OR MORE.
- △6 OBSOLETE PARTS: OBSOLETE CIS STREAMLINING PER D.RENAUD/D.SINISI



RECOMMENDED PC BOARD LAYOUT

SECTION T-T

POSN	A	B	C	D	E	PART NUMBER
36	49.53 [1.950]	41.91 [1.650]	31.75 [1.250]	11	27.94 [1.100]	2-5533061-1
252	232.41 [9.150]	224.79 [8.850]	214.63 [8.450]	83	210.82 [8.300]	1-5533061-9
210	196.85 [7.750]	189.23 [7.450]	179.07 [7.050]	69	175.26 [6.900]	1-5533061-1
180	171.45 [6.750]	163.83 [6.450]	153.67 [6.050]	59	149.86 [5.900]	5533061-9
165	158.75 [6.250]	151.13 [5.950]	140.97 [5.550]	54	137.16 [5.400]	5533061-8
120	120.65 [4.750]	113.03 [4.450]	102.87 [4.050]	39	99.06 [3.900]	5533061-5
90	95.25 [3.750]	87.63 [3.450]	77.47 [3.050]	29	73.66 [2.900]	5533061-2

△5  
△6 OBSOLETE

THIS DRAWING IS A CONTROLLED DOCUMENT.		DIN J. POLIGNONE 11MAY05		TE Connectivity	
DIMENSIONS: mm [INCHES]		TOLERANCES UNLESS OTHERWISE SPECIFIED:			
0 PLC ± - 1 PLC ± - 2 PLC ± 0.13 [.005] 3 PLC ± - 4 PLC ± - ANGLES ± -		0 PLC ± - 1 PLC ± - 2 PLC ± 0.13 [.005] 3 PLC ± - 4 PLC ± - ANGLES ± -		NAME: ASSEMBLY, PIN, VERTICAL, HDI, LEAD-FREE, 3 ROW, WITHOUT GUIDE PINS, 13.54[.533] LONG ACTION PINS, 0.00076 [.000030] MIN GOLD PLATE APPLICATION SPEC: - SIZE: A1 CAGE CODE: 00779 DRAWING NO: 5533061 WEIGHT: - CUSTOMER DRAWING: -	
MATERIAL: △1 △2		FINISH: △3		SCALE: 4:1 SHEET: 1 of 1 REV: 02	