

PART NAME: KNOB

SCALE: 4:1

DATE: 12/22/08

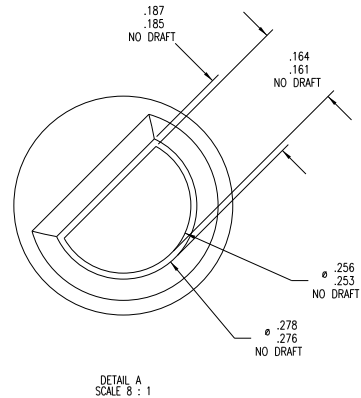
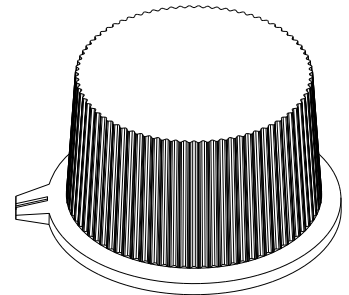
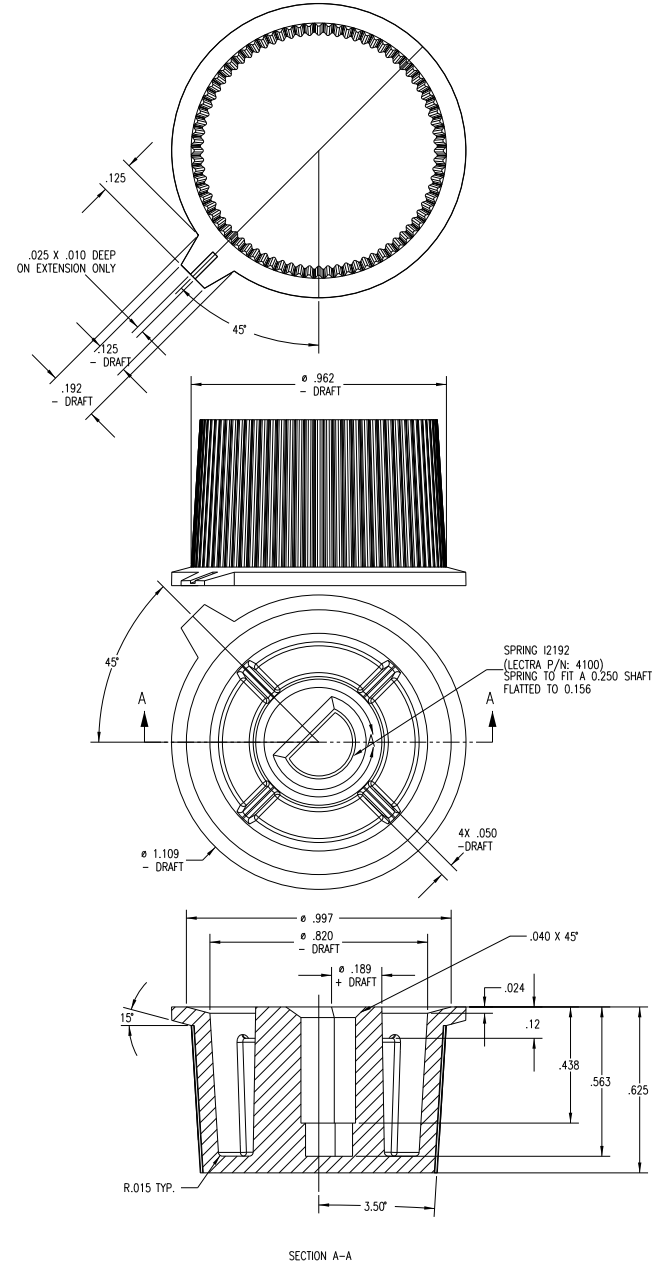
DR. BY: JAM



P/N: 2200-A

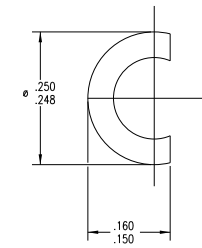
THIS DRAWING IS THE PROPERTY OF DAVIES MOLDING COMPANY, IS SUBMITTED SOLELY AS A DESIGN OR ENGINEERING PROJECT WE ACCEPT NO RESPONSIBILITY WHATSOEVER FOR THE PRACTICAL APPLICATION OF THE PIECES MADE TO THIS DESIGN.

BASE PART	2200-02
SPRING	I2192



DETAIL A
SCALE 8:1

MATERIAL # MATERIAL DESCRIPTION
M2813-9999 ABS, TERLURAN GP22 BLACK (AB4)



SHAFT DETAIL

KNOB WITH SHAFT CLIP TO RETAIN THERMOSTAT
SHAFT WITH DIMENSIONS AND TOLERANCES AS SHOWN.

TOLERANCES: UNLESS OTHERWISE SPECIFIED	DO NOT SCALE DRAWING				
DECIMALS: X.XXX ± .015 X.XX ± .030 X.X ± .1					
> < INDICATES AUDIT PARAMETER () INDICATES REFERENCE DIMENSION	ANG. ± 1°	A	ADDED BASE PART	JAM	4/2/14
CHANGES					