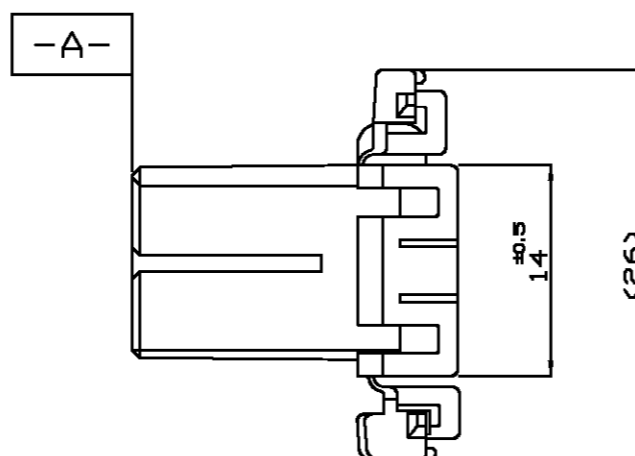
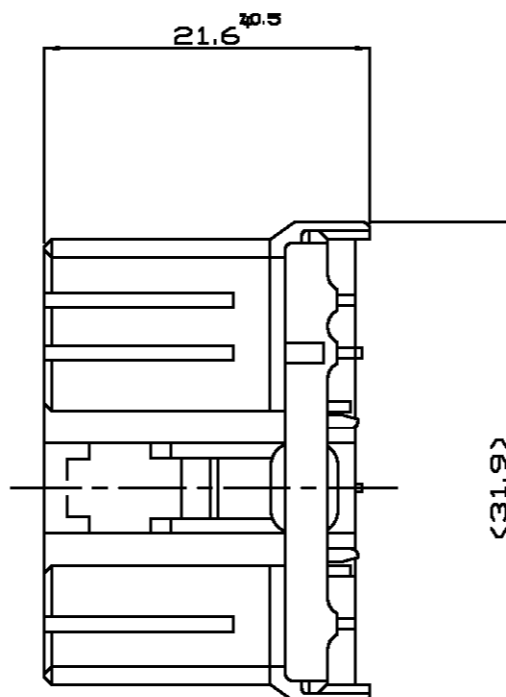
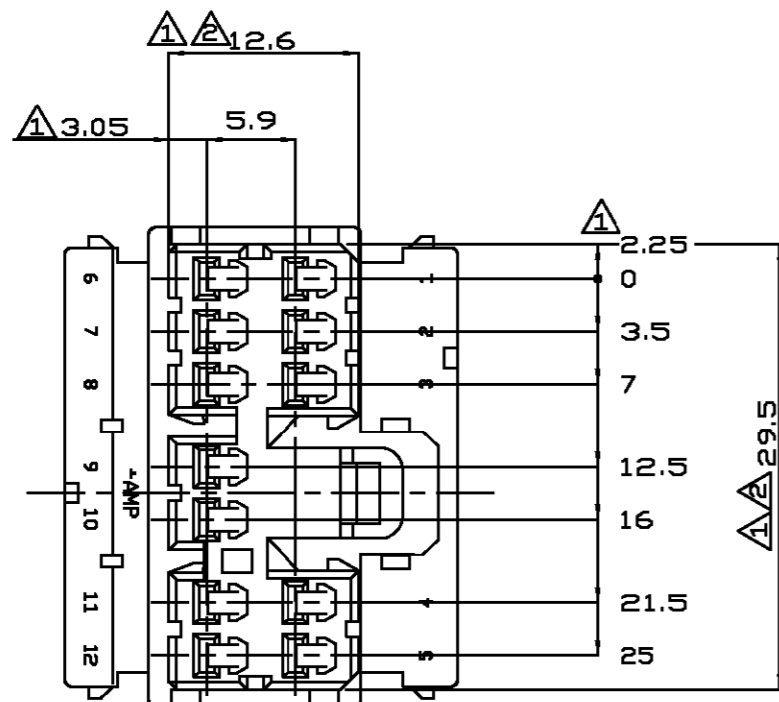


P	LTR	DESCRIPTION	DATE	DVN	APVD
	0	RELEASED(FC00-0002-00)	04,JAN,00	HS	CS
	A	REVISED(FC00-0337-04)	28,DEC,04	SB	CS



NOTES

- ① MUST BE KEPT BETWEEN -A- AND 2.
- ② TO BE MATE WITH CAP HSG SMOOTHLY.
- 3, APPLIED CONTACT P/N: 173630, 173631.

①	368542-9	BLACK
	368542-1	NATURAL
	P/N	COLOR
		AMP KOREA. kyungsan, korea
NAME		
.070 MLC 12P PLUG HSG.		
SIZE	CAGE CODE	DRAWING NO
A3	00779	③= 368542
SCALE 2/1		SHEET 1 OF 1 REV A

THIS DRAWING IS A CONTROLLED DOCUMENT FOR AMP INCORPORATED. IT IS SUBJECT TO CHANGE AND THE CONTROLLING ENGINEERING ORGANIZATION SHOULD BE CONTACTED FOR THE LATEST REVISION.		DVN
DIMENSIONS: MM		CHK
TOLERANCES UNLESS OTHERWISE SPECIFIED:		APVD
0 <XX<10 ± 0.2		PRODUCT SPEC
10 <XX<30 ± 0.25		APPLICATION SPEC
30 <XX ± 0.3		WEIGHT
ANGLES ± 3°		
3rd ANGLE PROJECTION		
MATERIAL	FINISH	
P.B.T	---	