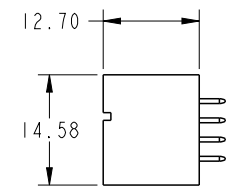
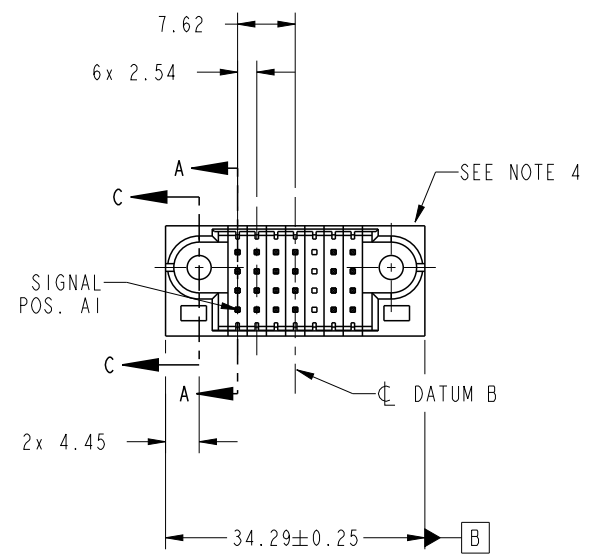




Copyright FCI.

PRODUCT NO. 51952-268-- NOTE ③	ROWS D C B A	SIGNAL								
		E1	1	2	3	4	5	6	7	E2
		E	E	E	E	X	E	E	E	E
		E	E	E	E	X	E	E	E	E
		E	E	E	E	X	E	E	E	E
		E	E	E	E	X	E	E	E	E



CODE	DIM "M" MATING LENGTH	CONTACT TYPE
E	[6.86]	SIGNAL
X	OMITTED	

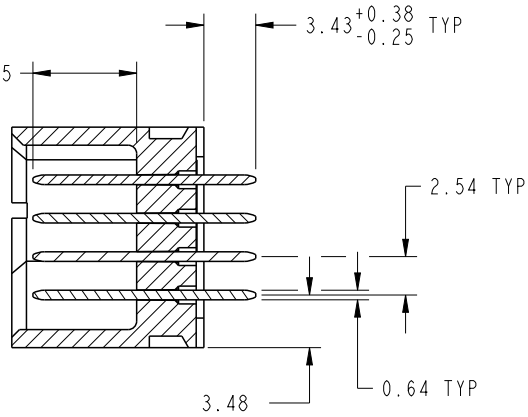
spec ref	See Notes			dr	Ruan MT	2013/11/26	projection	MM	size	A4	scale	1:1
tolerance std	TOLERANCES UNLESS OTHERWISE SPECIFIED			eng	Ruan MT	2014/01/07			ecn no	-		
See Notes				chr	-	-			appr	Pei-Ming Zheng	2014/01/07	product family
surface	linear	0.X	±0.50				title 28S VERTICAL SOLDEER HEADER	dwg no 51952-268	rel level			Released
		0.XX	±0.25						www.fci.com	cat. no.	&model_name	Product - Customer Drw
	angular	0°	±2°							sheet 1 of 4		

PrdrE File - REV C - 2009-06-09

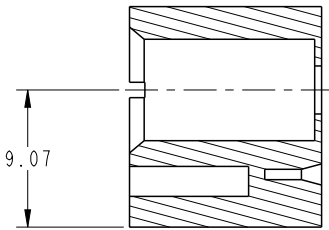
PRODUCT NUMBER

51952-268--
NOTE 3

DIM "M" ±0.25



SECTION A-A
SCALE 2:1



SECTION C-C
SCALE 2:1

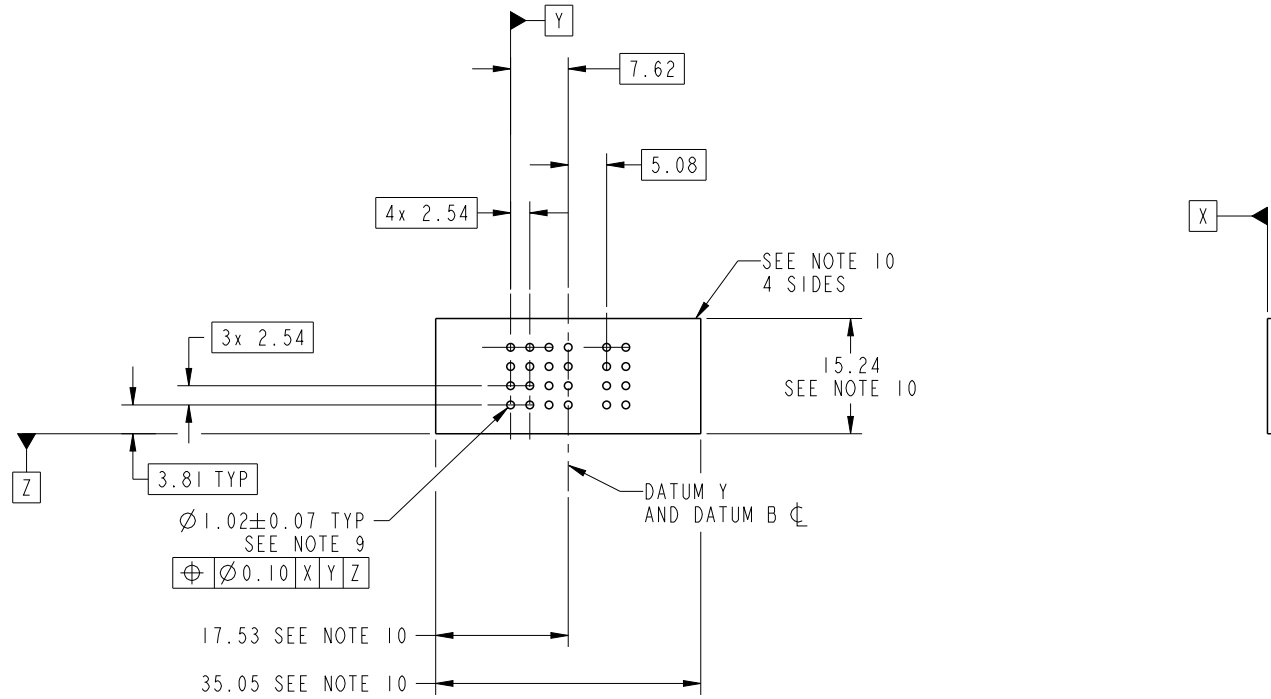
dr	Ruan MT	2013/11/26	projection 	MM 	size	A4	scale	1:1
eng	Ruan MT	2014/01/07			ecn no	-		
chr	-	-			product family	PwrBlade	rel level	Released
appr	Pei-Ming Zheng	2014/01/07			title 28S VERTICAL SOLDEER HEADER	dwg no 51952-268	rev A	
www.fci.com		cat. no.	&model_name	Product - Customer Drw	sheet 2 of 4			



Copyright FCI.

PRODUCT NUMBER

51952-268__
NOTE 3



RECOMMENDED PCB LAYOUT

dr	Ruan MT	2013/11/26	projection 	MM 	size	A4	scale	1:1
eng	Ruan MT	2014/01/07			ecn no	-		
chr	-	-			rel level	Released		
appr	Pei-Ming Zheng	2014/01/07	product family	PwrBlade				
	title	28S VERTICAL SOLDEER HEADER		dwg no	51952-268		rev	A
www.fci.com	cat. no.	&model_name	Product - Customer Drw		sheet 3 of 4			



Copyright FCI.

PRODUCT NUMBER

51952-268__
NOTE 3

NOTES:

1. DIMENSIONS AND TOLERANCES ARE IN ACCORDANCE WITH ASME Y14.5M, 1994 UNLESS OTHERWISE SPECIFIED.

CONNECTOR NOTES:

- 2 HOUSING MATERIAL: UL 94 V-0 GLASS FILLED HIGH-TEMP THERMOPLASTIC
POWER CONTACT MATERIAL: COPPER ALLOY
SIGNAL PIN MATERIAL: COPPER ALLOY
- 3. SEE ITEM 1 & 2 IN PRINT 10064183 FOR PLATING SPEC OF 51952-268 AND 51952-268LF RESPECTIVELY.

4 MANUFACTURER'S NAME, DATE CODE AND OPTIONAL P/N TO APPEAR ON THIS SURFACE. THE MARK CAN BE OMITTED IF THERE IS NOT ENOUGH SPACE ON THIS SURFACE.

5. PRODUCT SPECIFICATION GS-12-149.
APPLICATION SPECIFICATION BUS-20-067.

6. PACKAGED IN TRAYS.

PCB NOTES:

- 7. ALL HOLE DIAMETERS ARE FINISHED HOLE SIZE.
- 8. MOUNTING HOLES, WHERE APPLICABLE, ARE UNPLATED.

9 $\varnothing 1.151 \pm 0.025$ DRILLED HOLES PLATED WITH 0.008 MIN SnPb OR Sn OVER .001 [0.03] TO 0.08 Cu PLATING TO ACHIEVE $\varnothing 1.02 \pm 0.07$ HOLE.

10 CONNECTOR KEEP-OUT ZONE.



Copyright FCI.

dr	Ruan MT	2013/11/26	projection 	MM 	size	A4	scale	1:1		
eng	Ruan MT	2014/01/07			ecn no	-				
chr	-	-			product family	PwrBlade	rel level	Released		
appr	Pei-Ming Zheng	2014/01/07			title	28S	dwg no	51952-268	rev	A
www.fci.com		cat. no.	&model_name	Product - Customer Drw		sheet 4 of 4				