

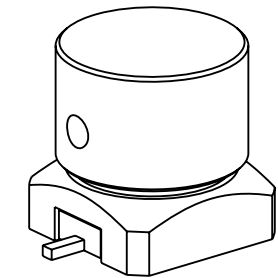
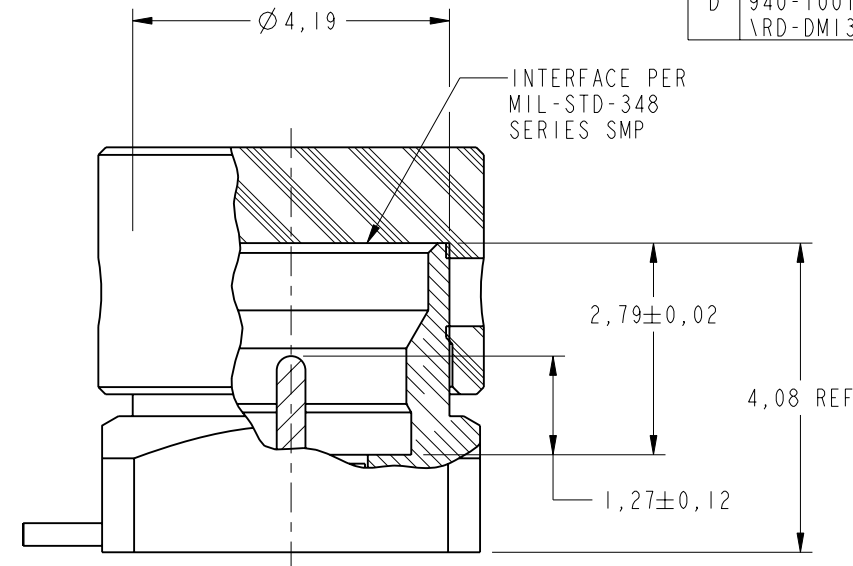
NOTES:

1. MATERIALS AND FINISHES:
 - BODY - BRASS, GOLD PLATING, .000030 [0.8] THICK OVER NICKEL
 - CONTACT - GOLD, GOLD PLATING, .000030 [0.8] THICK OVER NICKEL
 - INSULATOR - LCP
 - CAP - PTFE
2. ELECTRICAL:
 - A. IMPEDANCE: 50 OHM
 - B. FREQUENCY RANGE: DC - 18 GHz
 - C. VSWR(RETURN LOSS): 1.10 (26.4 dB), MAX. DC-6GHz
1.15 (23.1 dB), MAX. 6-10GHz
1.30 (17.7 dB), MAX. 10-18GHz
 - D. DIELECTRIC WITHSTANDING VOLTAGE: 335 VRMS, MIN.
3. PHYSICAL:
 - A. DURABILITY: 500 CYCLES MIN.
 - B. ENGAGEMENT FORCE: 10 LB MAX
 - C. DISENGAGEMENT FORCE: 2 LB MIN
 - D. INNER CONTACT RETENTION FORCE: 1.5 LB MIN
 - E. TEMPERATURE RANGE: -65° C TO 165° C
4. PACKAGING:
 - A. PACKAGE CONNECTOR IN TAPE AND REEL.
 - B. MARK TAG:
 - AMPHENOL RF P/N: SMP-MSLD-PCS-T
 - HARRIS P/N: J92-0001-401
 - HARRIS B.O.M. REV.: REV A
 - SUPPLIER CODE: 01002002
 - DATE CODE: WWYY
 - QTY: 1400 PCS

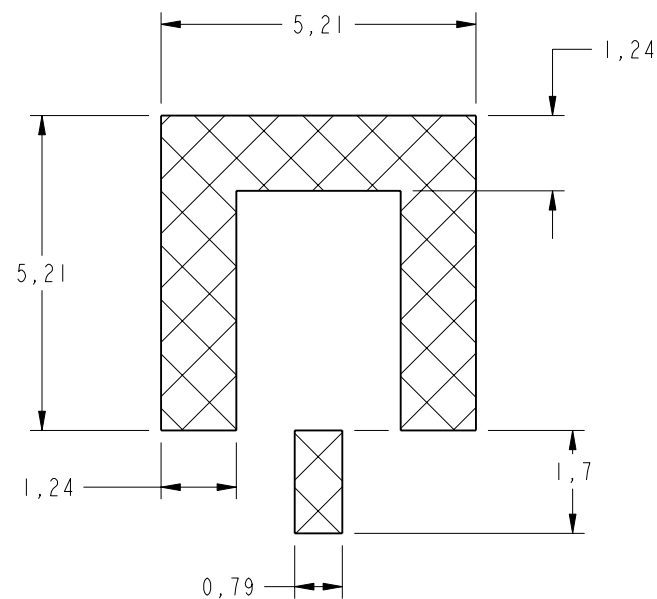
THIRD ANGLE PROJ.

REVISIONS

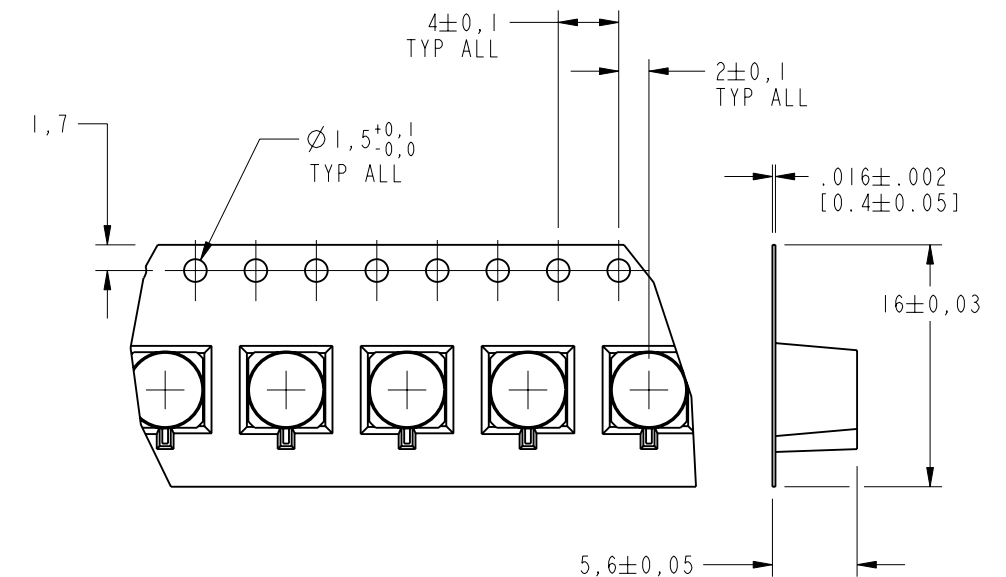
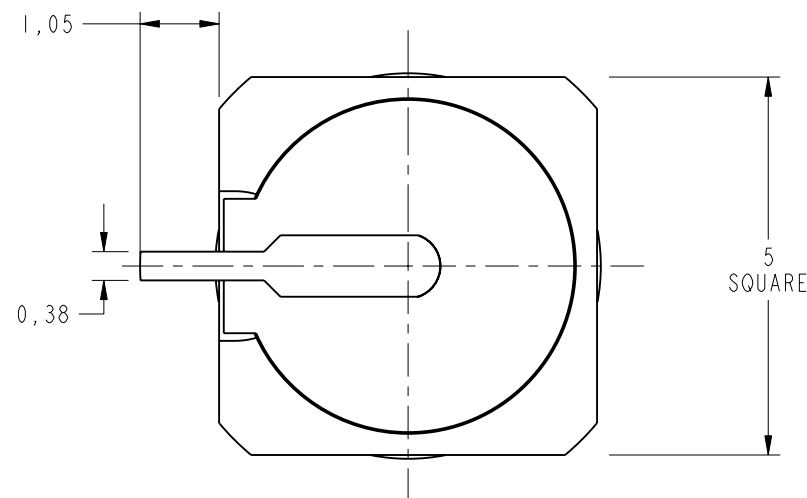
REV	DESCRIPTION	DATE	ECO	APPR
A	RELEASE TO MFG.	16-Apr-07	46508	CW
B	SEE SHEET 1	05-Sep-09	47481	Age 1a
C	ADD NOT 4	15-Apr-13	49440	MJD
D	1.27±0.12 WAS 1.3±0.12, MB37AAB02 WAS 940-10020, 940-10019 .BD37ACB01 WAS 940-10036 \RD-DMI3091001J8	24-Sep-13	49741	MD



SCALE 5.000



RECOMMENDED PCB FOOTPRINT
SCALE 8.000



SCALE 2.000

CUSTOMER OUTLINE DRAWING
ALL OTHER SHEETS ARE FOR INTERNAL USE ONLY

UNLESS OTHERWISE SPECIFIED, DIMENSIONS ARE IN METRIC AND TOLERANCES ARE: <0.5mm ±0.05mm 0.5 - 6mm ±0.1mm 6 - 30mm ±0.2mm 30 - 120mm ±0.3mm ANGLES ±1°	MATERIAL	DRAWN J. CHEN	DATE 20-Mar-14	TITLE SMP MALE SMT LIMITED DETENT IN TAPE AND REEL SCALE: 10.0:1.0 SHEET 2 OF 2	Amphenol RF www.amphenolrf.com
	REFERENCE EAR # 2279 AND 615X-1782	ENGINEER G. WANG	DATE 16-Apr-07		
NOTICE - These drawings, specifications, or other data (1) are, and remain the property of Amphenol corp. (2) must be returned upon request; and (3) are confidential and not to be disclosed to any person other than those to whom they are given by Amphenol Corp. the furnishing of these drawings, specifications, or other data by Amphenol Corp., or to any other person to anyone for any purpose is not to be regarded by implication or otherwise in any manner licensing, granting rights to permitting such holder or any other person to manufacture, use or sell any product, process or design, patented or otherwise, that may in any way be related to or disclosed by said drawings, specifications, or other data.	CONFIGURATION LEVEL:	APPROVED S. HSIEH	DATE 20-Mar-14	ITEM NO. SMP-MSLD-PCS-T	PART NO. SMP-MSLD-PCS-T
	FINISH	CAD FILE	DWG SIZE B	REV D	