

MATERIAL NUMBER	# OF COLUMNS	# OF DIFF PAIR	DIM 'A' MAX	DIM 'B'
76450-11**	10	20	19.00	17.10
76450-16**	16	32	30.40	28.50

**76450-\*\*\*\***

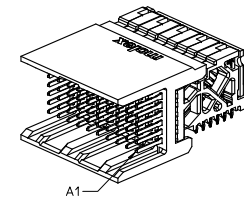
MODULE TYPE  
1 = UNGUIDED, LEAD-FREE

PIN LENGTH (P)  
4 = 4.90 (0.46 PTH)  
5 = 5.50 (0.46 PTH)  
7 = 4.90 (0.39 PTH)  
8 = 5.50 (0.39 PTH)

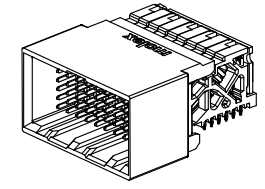
# OF COLUMNS  
1 = 10 COL  
6 = 16 COL

END WALL OPTIONS  
0 = OPEN ENDS  
1 = LEFT ENDWALL  
2 = DUAL ENDWALL  
3 = RIGHT ENDWALL

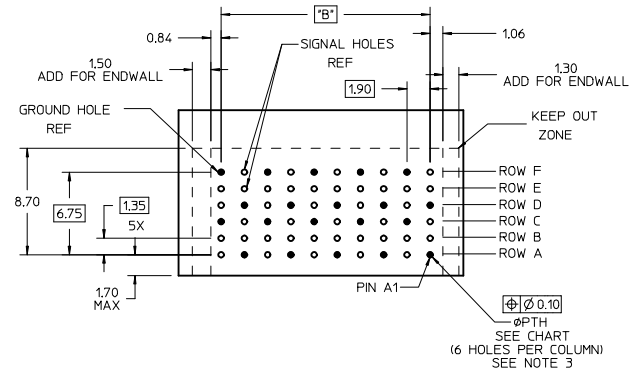
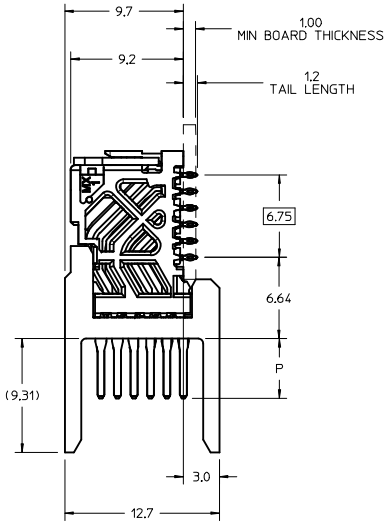
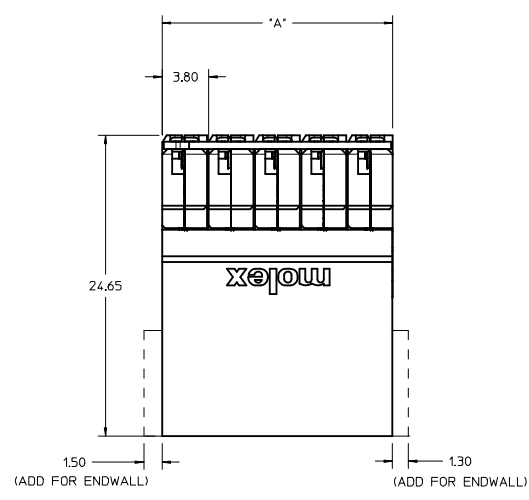
- NOTES:
1. MATERIALS: HOUSING - LIQUID CRYSTAL POLYMER (LCP), GLASS-FILLED, UL94V-0  
TERMINALS - HIGH PERFORMANCE COPPER ALLOY
  2. FINISH: 304h SELECTIVE GOLD IN CONTACT AREA, SELECTIVE TIN ON PCB TAILS, NICKEL OVERALL.
  3. FOR FURTHER INFORMATION SEE PRODUCT SPECIFICATION PS-76060-999.
  4. EACH SIGNAL WAFER CONTAINS 2 COLUMNS OF TERMINALS.
  5. PRODUCT TO BE PACKAGE PER PACKAGING SPECIFICATION PSK-70873-077.
  6. THIS PART CONFORMS TO CLASS B REQUIREMENTS OF COSMETIC SPEC PS-45699-002.
  7. REFER TO MOLEX SALES DRAWING SD-76460-001 FOR MATING DAUGHTERCARDS.
  8. REFER TO MOLEX PCB ROUTING GUIDE AS-76060-990 FOR ANTIPAD AND ROUTING RECOMMENDATIONS.



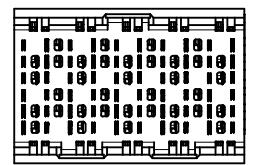
OPEN ENDED OPTION



DUAL ENDWALL OPTION

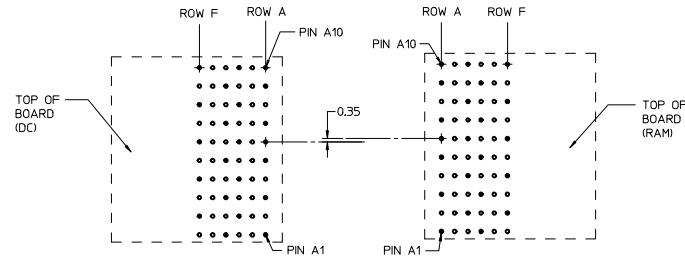
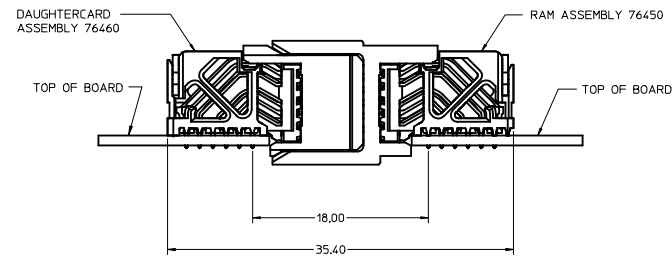


RAM HOLE PATTERN  
(CONNECTOR SIDE)



UPD DRAWING/PCB LAYOUT EEC NO: UCP2014-4388 DRWN: GONZALEZ01 2014/04/22 CHKD: APPR: ELO	2015/04/24 REV 01	QUALITY SYMBOLS ▽=0 ▽=0 ▽=0	GENERAL TOLERANCES (UNLESS SPECIFIED) DIMENSION STYLE MM ONLY SCALE 5:1 DESIGN UNITS METRIC THIRD ANGLE PROJECTION	DRAWN BY J JONIAK DATE 2009/06/05 CHECKED BY J LAURX DATE 2009/06/05 APPROVED BY J LAURX DATE 2010/02/09	TITLE IMPACT 2 PAIR RAM UNGUIDED SIGNAL MODULE SALES DRAWING <b>molex</b>	MATERIAL NO. SEE TABLE DOCUMENT NO. SD-76450-001	SHEET NO. 1 OF 2
	DRAFT WHERE APPLICABLE MUST REMAIN WITHIN DIMENSIONS		ANGLUAR ±1/2°		THIS DRAWING CONTAINS INFORMATION THAT IS PROPRIETARY TO MOLEX INCORPORATED AND SHOULD NOT BE USED WITHOUT WRITTEN PERMISSION		

COPLANAR APPLICATION



COPLANAR MATED SIGNAL PATHS



<b>SEE SHEET 1</b> DEC NO: LCP2014-4388 B3 CHYD: APPR:TELO	QUALITY SYMBOLS ∇=0 ∇=0 ∇=0	GENERAL TOLERANCES (UNLESS SPECIFIED) mm INCH 4 PLACES ±--- ±--- 3 PLACES ±--- ±--- 2 PLACES ±0.13 ±--- 1 PLACE ±0.25 ±--- 0 PLACE ±--- ±--- ANGULAR ±1/2° DRAFT WHERE APPLICABLE MUST REMAIN WITHIN DIMENSIONS	DIMENSION STYLE MM ONLY DRAWN BY DATE J JONIAK 2009/06/05 CHECKED BY DATE J LAURX 2009/06/05 APPROVED BY DATE J LAURX 2010/02/09	SCALE 5:1 DESIGN UNITS METRIC THIRD ANGLE PROJECTION	TITLE IMPACT 2 PAIR RAM UNGUIDED SIGNAL MODULE SALES DRAWING <b>molex</b>	MATERIAL NO. SEE TABLE DOCUMENT NO. SD-76450-001	SHEET NO. 2 OF 2
	THIS DRAWING CONTAINS INFORMATION THAT IS PROPRIETARY TO MOLEX INCORPORATED AND SHOULD NOT BE USED WITHOUT WRITTEN PERMISSION						
	SIZE D						
	REV DESCRIPTION						