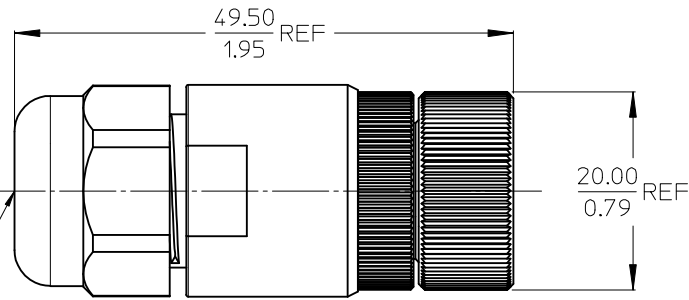


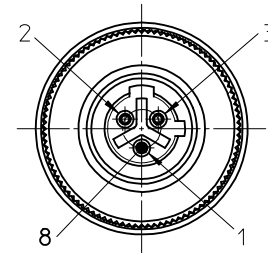
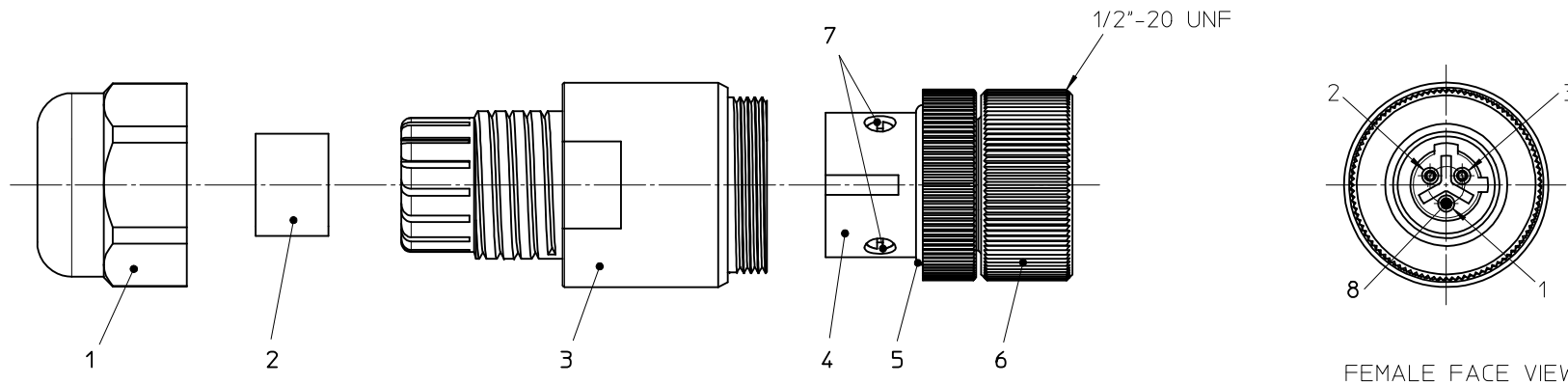
(1:1)

WIRING CHART

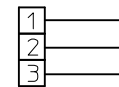
VOLTAGE RATING	250VAC/DC
AMPERAGE RATING	4 AMPS
PROTECTION	IP67
OPERATING TEMPERATURE	-40°C to 185°C



O.D. CABLE RANGE
4.1-8.1/.16-.32



FEMALE FACE VIEW



ENG.-NO.: 7A3000-32

ITEM	QTY	COMPONENT	MATERIAL	FINISH
1	1	HUT NUT M12	PA6	BK
2	1	GROMMET	CR/NBR	BK
3	1	ENDSLEEVE	PA66	BK
4	1	INSERT	NYLON	BK
5	1	GASKET	NITRILE	BK
6	1	COUPLING NUT	BRASS	NI PLATED
7	3	SCREW	BRASS	ZN
8	3	CONTACT	COPPER ALLOY	AU PLATED

ENTER DESCRIPTION EC NO: IPG2013-0649 DRW:RSCHIEBER 2012/11/14 CHKD:APOHL 2012/11/14 APPR:CBURGER 2012/11/26	QUALITY SYMBOLS	GENERAL TOLERANCES (UNLESS SPECIFIED) mm INCH 4 PLACES ± --- ± --- 3 PLACES ± --- ± --- 2 PLACES ± --- ± .01 1 PLACE ± 0.3 ± --- 0 PLACE ± --- ± --- ANGULAR ± --- ° DRAFT WHERE APPLICABLE MUST REMAIN WITHIN DIMENSIONS	DIMENSION STYLE	SCALE	DESIGN UNITS	THIRD ANGLE PROJECTION
	▽=0 □=0		MM/IN	2:1	METRIC	DRAWN BY DATE RSCHIEBER 2012/11/14 CHECKED BY DATE APOHL 2012/11/14 APPROVED BY DATE CBURGER 2012/11/26
1	REV	MATERIAL NO. 1200750015	SIZE A3	DOCUMENT NO. SD-120075-007	SHEET NO. 1 OF 1	THIS DRAWING CONTAINS INFORMATION THAT IS PROPRIETARY TO MOLEX INCORPORATED AND SHOULD NOT BE USED WITHOUT WRITTEN PERMISSION